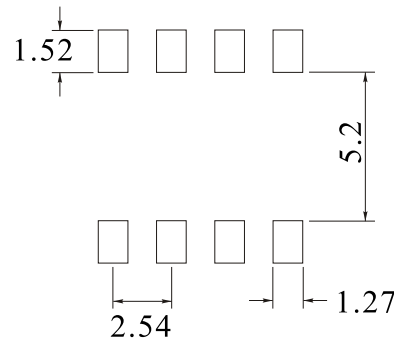
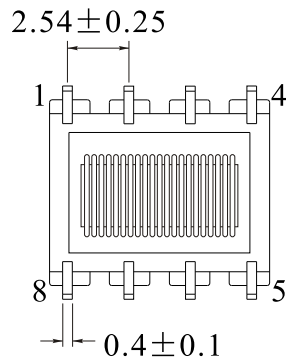
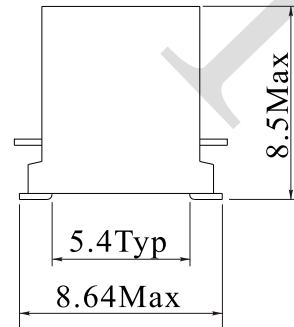
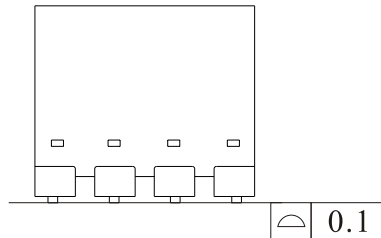
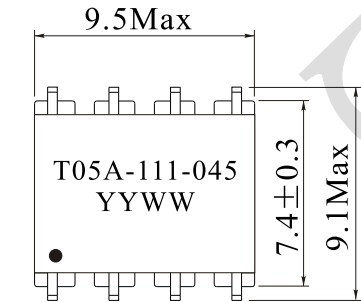
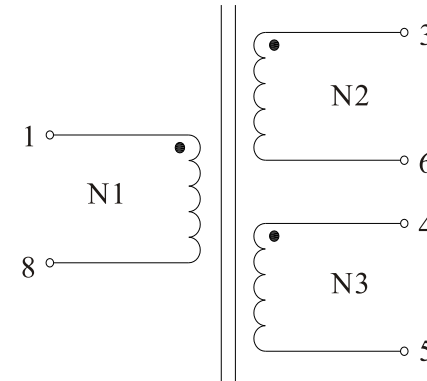


Rev.	Description	Date
A0	New release	2023.03.24

1. PHYSICAL CHARACTERISTICS (mm)



2. ELECTRONICAL SCHEMATIC



3. ELECTRONICAL SPECIFICATIONS

- Turns ratio: 1:1:1
- L(1-8): 3.3mH Min@100KHz,0.1V
- Lk(1-8): 0.8uH Max@100KHz,0.1V
- ET: 45.1V* μ sec Max
- DCR(1-8): 1.25 Ω Max
- (3-6)=(4-5): 1.25 Ω Max
- Hi-Pot: 1500Vrms,3S N1 to N2,N3
- Operating temperature: -40°C to +130°C

Test Instrument: WK 3260B+3261A

NAME:	Driver transformer		
CUSTOMER P/N:	P0544NL	DATE:	2023-03-24
SHINHOM P/N:	T05A-111-045	REV:	A0
DRAWN BY:	CHECKED BY:	APPROVE BY:	