



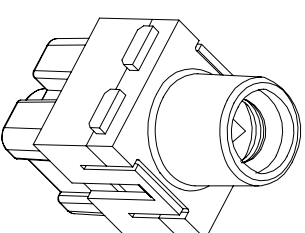
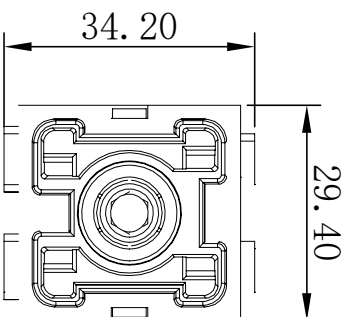
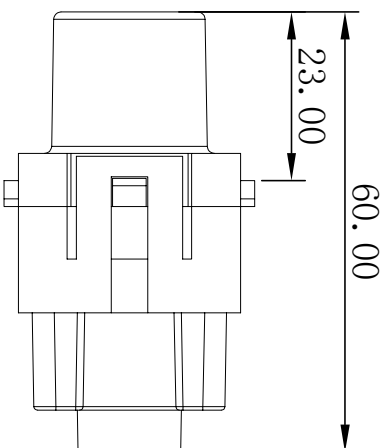
宁波速普电子有限公司

NINGBO SUPPU ELECTRONICS.CO.,LTD

产品规格书 Product Specification

HMK-001.X				接插体/Inserts		
mm ²	25	35	50	70	额定电流/Rated current	200A
N.m	8	8	9	10	额定电压/Rated voltage	1000V

污染等级/Pollution degree	3	
额定脉冲耐受电压/Rated surge voltage	8KV	
绝缘电阻/Insulation resistance	$\geq 10^{10}\Omega$	
材料/Material	PC	
使用环境温度/Usage ambient temperature	-40°C - +125°C	
阻燃等级/Flame retardant rating	V0	
可插拔次数/Mechanical working life	≥ 500	
UL/CSA额定电压/Rated voltage acc. to UL/CSA	600V	
接插针/Contacts	铜/Copper alloy	
材料/Material	镀金/Au	镀银/Ag
镀层/Coating	$\leq 0.2m\Omega$	
接触电阻/Contact	轴向螺栓/Axial bolt	
接线形式/Connection	40-70mm ²	AWG 2-0
导线规格/Wire gauge	见表	
拧紧力矩/Tightening torque	/	
剥线长度/Stripping length	/	



		Rev. 01	订货号 PART NUMBER
单位/Unit	mm		SMK-001.2-F