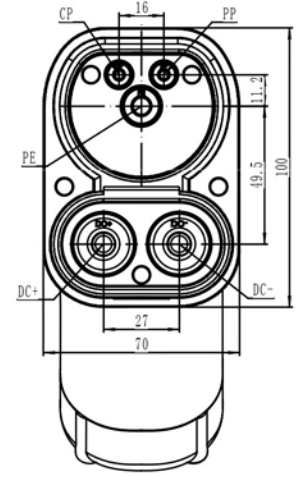
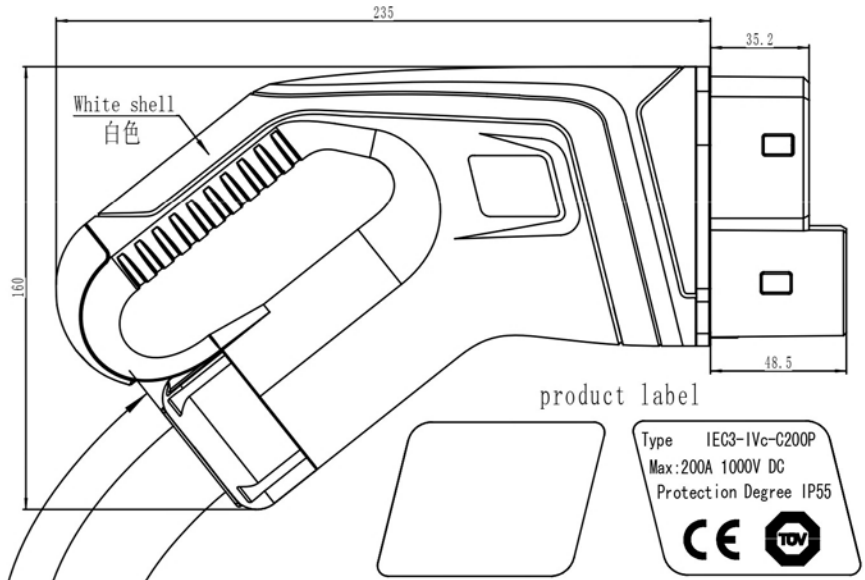


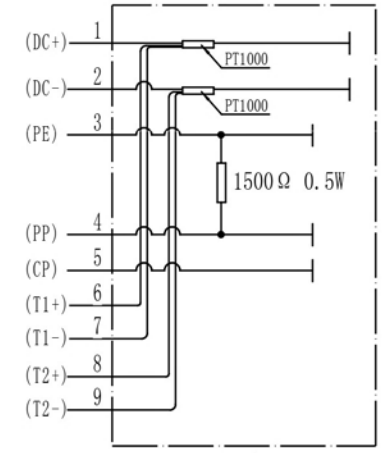
Customer name:

CCS2 200A/1000V DC 5m

Ver	ECN	MARK	DESCRIPTION	DATE	APP	CHK



mode of connection

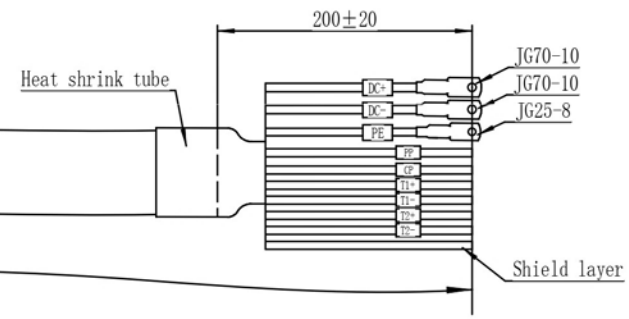


Temperature control mode:  
 Temperature sensor PT1000  
 0 °C resistance for 1000 Ω;  
 90 °C resistance value is  
 1347.04 Ω. The resistance  
 increases with temperature

DC+ Temp (T1+/T1-)  
 DC- Temp (T2+/T2-)

黑色TUV线缆  
 IEC 126 2×70mm<sup>2</sup>+1×25mm<sup>2</sup>+(6×0.75mm<sup>2</sup>) (P2)

Black TUV overall cable  
 Sheath material: TPU  
 OLR32330-BK



Cable specification

Function	200A 1000V DC	Terminal
棕 DC+ (1)	70 mm <sup>2</sup> Brown	JG70-10
蓝 DC- (2)	70 mm <sup>2</sup> Blue	JG70-10
黄绿 PE (3)	25 mm <sup>2</sup> Yellow-green	JG25-8
橙 PP (4)	0.75 mm <sup>2</sup> Orange	Shield Layer
白 CP (5)	0.75 mm <sup>2</sup> White	
黄 T1+ (6)	0.75 mm <sup>2</sup> Yellow	
棕 T1- (7)	0.75 mm <sup>2</sup> Brown	
粉 T2+ (8)	0.75 mm <sup>2</sup> Pink	
紫 T2- (9)	0.75 mm <sup>2</sup> Purple	

Technical parameters

Current and Voltage : 200A 1000V DC  
 Signal current : 2A 30V  
 Protection Degree : IP55 (Working status)  
 Ambient temperature: -30° C ... +50° C

CCS2 ,was designed according to the standard of  
 IEC 62196-3 sheet 3-IVc The static resistance is 1500 ohm  
 Charging cable 5000mm 2×70mm<sup>2</sup>+1×25mm<sup>2</sup>+(6×0.75mm<sup>2</sup>) (P2) Black TUV overall cable

DWG. SYM	S A	PROJ. SYM				
MATL	Specifications		WEIGHT	NAME	Charging connectors	
DESIGNED	CHECK	STDCHECKED	DRAW NO	SIZE A4	SCALE X:X	
CHECKED	PROCESS	APPROVED	PART NO	EVO-IC-IEC3-IVc-C200P	SHEET X OF X	