

Data sheet

Commercial Art.No.: 05.543.7421.0

Male contact 4 QMM

Male contact, turned Ø 2,5 mm, 4 mm², AWG 12, Sn



Commercial Art.No.	05.543.7421.0
EAN	4015573083127
Order Unit	200

Technical data

General

Wire strip length	7 mm
Min. conductor cross section flexible wire	4 mm ²
Max. conductor cross section flexible wire	4 mm ²
Min. UL/CSA wire diameter flexible wire	12 AWG
Max. UL/CSA wire diameter flexible wire	12 AWG
Connection type	Crimp
Material	Brass
Massive contact	yes
Contact pin diameter	2.5 mm
Inflammability class of insulation material acc. with UL94	Other
Contact resistance	≤ 1.5 mOhm

Classification

ECLASS 11	
ECLASS 8.1	27440204
ETIM 7.0	EC000796
ETIM 6.0	EC000796
ETIM 5.0	EC000796
ETIM 4.0	EC000796
ETIM 3.0	EC000796

Product compliance

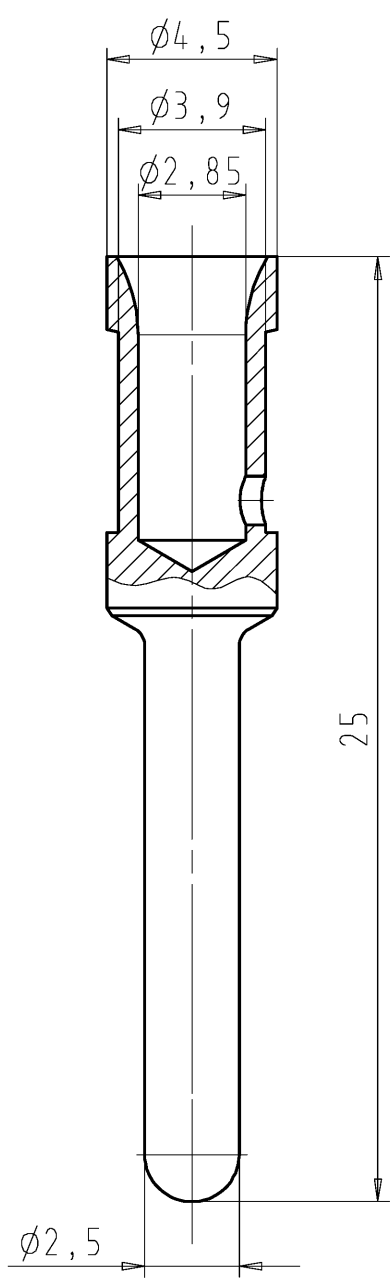
ROHS conformity status	Compliant/Exempted
ROHS exceptions	III-6(c)
REACH-SVHC conformity status	Duty-To-Declare
REACH-SVHC substances	Lead
REACH-SVHC CAS numbers	7439-92-1

Accessories

Commercial Art.No.:	Article-type description:	Description:
05.502.2100.0	Crimping die B	Crimp dies for revos crimping tool, usable for crimp-contacts with a cross section of 0.14-1.0 mm ² , 1.5 mm ² , 2.5 mm ² and 4.0 mm ²
95.101.0800.0	Basic crimping tool .	Crimping tool kit
05.502.3500.0	Extraction tool 500/690V-SER.	Extraction tool for turned contacts with a diameter of 2.5 mm
05.502.3300.0	Contact positioner 3	Contact positioner 3

These dimensions will be especially checked at delivery
 Only inspection dimensions
 With /E marked dimensions are only valid for internal use

Diese Maße werden bei Abnahme besonders geprüft
 Ausschließlich Prüfmaße
 Mit /E gekennzeichnete Maße sind nur für interne Zwecke gültig



(a)

Part.-Nr.	Hergestellt aus/ produced from:	Oberfläche/surface
05.543.7421.0	05.543.7400.0	verzinkt/tin-plated
05.543.7402.0	05.543.7400.0	versilbert/silver-plated
05.543.7401.7	05.543.7400.0	vergoldet/gold-plated
05.543.7401.0	05.543.7400.0	vergoldet/gold-plated
05.543.7400.0		blank/metallic bright

Tolerierung nach DIN 7167/Tolerance system acc. to DIN 7167.
 (This DIN-standard describes the envelope principle. According to the envelope principle the deviations of form and parallelism are limited by the size tolerances).

ja/yes Stoffverbots- und Deklarationsliste nach UU-TQM-05/03 ist einzuhalten.
 Conformity with Wieland document UU-TQM-05/03 (list of prohibited / declarable hazardous substances) to be declared!

Freitoleranz nach DIN 2768 - m

CAD - Zeichnung, keine manuellen Änderungen
 CAD - drawing, no manual modifications allowed

1.Verwendung: Z5.543.7400.0
 First Use:

Blatt: 1 von 1
 Sheet: of

	/		Werkstoff/Material CuZn36Pb3	2005	Tag/Date	Name	Zeichnung Nr./Drawing No.	Index
	/			gezeichnet drawn	08.11.	Hoffmann		
	/	Maßstab/Scale 5:1		geprüft checked	-	-	T	05.543.7400.0 01K a
	/			Normgepr. Stand. check	-	-		
Maße in mm/Dimensions are in mm								
	/	Vol.	152 mm ³	Ofl./Surf.	340 mm ²	Ersatz für/Replacement for: -		
	/		wieland	Type	Benennung/Title			
a	15.07.2015/			STECKER				
Index	Datum / Blatt Date / Sheet	Elektrische Verbindungen		mit Crimpanschluß 4,0 mm ² male contact with crimp barrel 4,0 mm ²				
Änderung/Revision								

Weitergabe sowie Vervielfältigung dieses Dokuments, Verwertung und Mitteilung seines Inhalts sind verboten, soweit nicht ausdrücklich gestattet.
 The reproduction, distribution and utilization of this document as well as the communication of its contents to others without express authorization is prohibited.