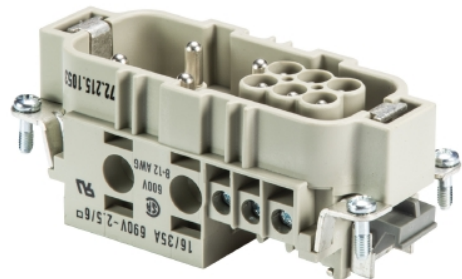


## Data sheet

Commercial Art.No.: 72.215.1053.0

Male insert POW STS 4/6 DA D AG

revos POWER 4-/6 pole + ground, male insert 690V/4x35A + 6x16A, screw connection



|                    |               |
|--------------------|---------------|
| Commercial Art.No. | 72.215.1053.0 |
| EAN                | 4015573226807 |
| Order Unit         | 10            |

Certificates / Approvals



## Technical data

### General

|  |            |
|--|------------|
| Model  | Pin insert |
| Inflammability class of insulation material acc. with UL94 | HB         |
| Color  | Grey       |
| Mating cycles  | 200        |
| Pollution degree   | 3          |
| Modular version  | No         |
| Alternative size   | 16         |
| Operating temperature range min.                           | -40 °C     |
| Operating temperature range max.                           | 120 °C     |

### Connection Data

|  |                   |
|--|-------------------|
| Connection type                                | screw connection  |
| Number of poles                                | 4                 |
| Plus switching contacts                        | 0                 |
| Number of pole for rated current 2             | 6                 |
| Number of pole for rated current 3             | 0                 |
| Total number of poles (without ground contact) | 10                |
| With wire protection                           | yes               |
| Min. conductor diameter rigid (solid/stranded) | 1 mm <sup>2</sup> |
| Max. conductor diameter rigid (solid/stranded) | 6 mm <sup>2</sup> |
| Protective contact                             | yes               |

### Technical Data UL/CSA

|                                   |       |
|-----------------------------------|-------|
| Rated voltage according to UL/CSA | 600 V |
| Rated current according UL        | 35 A  |
| Rated current according CSA       | 35 A  |

|  |                   |
|--|-------------------|
| Min. conductor cross section flexible wire | 1 mm <sup>2</sup> |
| Max. conductor cross section flexible wire | 6 mm <sup>2</sup> |
| Conductor cross section flexible AWG wire  | 16-8 AWG          |

#### Model

|              |    |
|--------------|----|
| With housing | No |
|--------------|----|

#### Contacts

|                    |               |
|--------------------|---------------|
| Contact material   | Copper alloy  |
| Surface            | Silver-plated |
| Contact resistance | ≤ 1 mOhm      |
| Wire strip length  | 10 mm         |

#### Screws head design/recomm. Torque

|                         |                    |
|-------------------------|--------------------|
| Mounting screws         | H1/0.5-0.7 Nm      |
| Clamping screws         | H1/0.5-0.7 Nm      |
| Ground conductor screws | M5/2.0-2.5 Nm Slot |

#### Technical Data DIN EN 61984

|                           |       |
|---------------------------|-------|
| Nominal voltage           | 690 V |
| Rated voltage face/ground | 690 V |
| Nominal current           | 35 A  |
| Rated current 2           | 16 A  |
| Rated impulse voltage     | 8 kV  |

#### Classification

|            |          |
|------------|----------|
| ECLASS 11  |          |
| ECLASS 8.1 | 27440205 |
| ETIM 7.0   | EC000438 |
| ETIM 6.0   | EC000438 |
| ETIM 5.0   | EC000438 |
| ETIM 4.0   | EC000438 |
| ETIM 3.0   | EC000438 |

#### Product compliance

|                              |                    |
|------------------------------|--------------------|
| ROHS conformity status       | Compliant/Exempted |
| ROHS exceptions              | III-6(c)           |
| REACH-SVHC conformity status | Duty-To-Declare    |
| REACH-SVHC substances        | Lead               |
| REACH-SVHC CAS numbers       | 7439-92-1          |

#### Fits with

| Commercial Art.No.: | Article-type description:         | Description:   |
|---------------------|-----------------------------------|--|
| 72.205.1053.0       | Female insert POW BUS 4/6 DA D AG | revos POWER 4-/6 pole + ground, male insert 690V/4x35A + 6x16A, screw connection   |
| 76.350.4035.0       | Hood BAS GOT GG 40HM25 50 A0      | Hood revos basic made of aluminum, for single locking lever with cable gland M25 on the right side (IP54), low version, 40-poles |

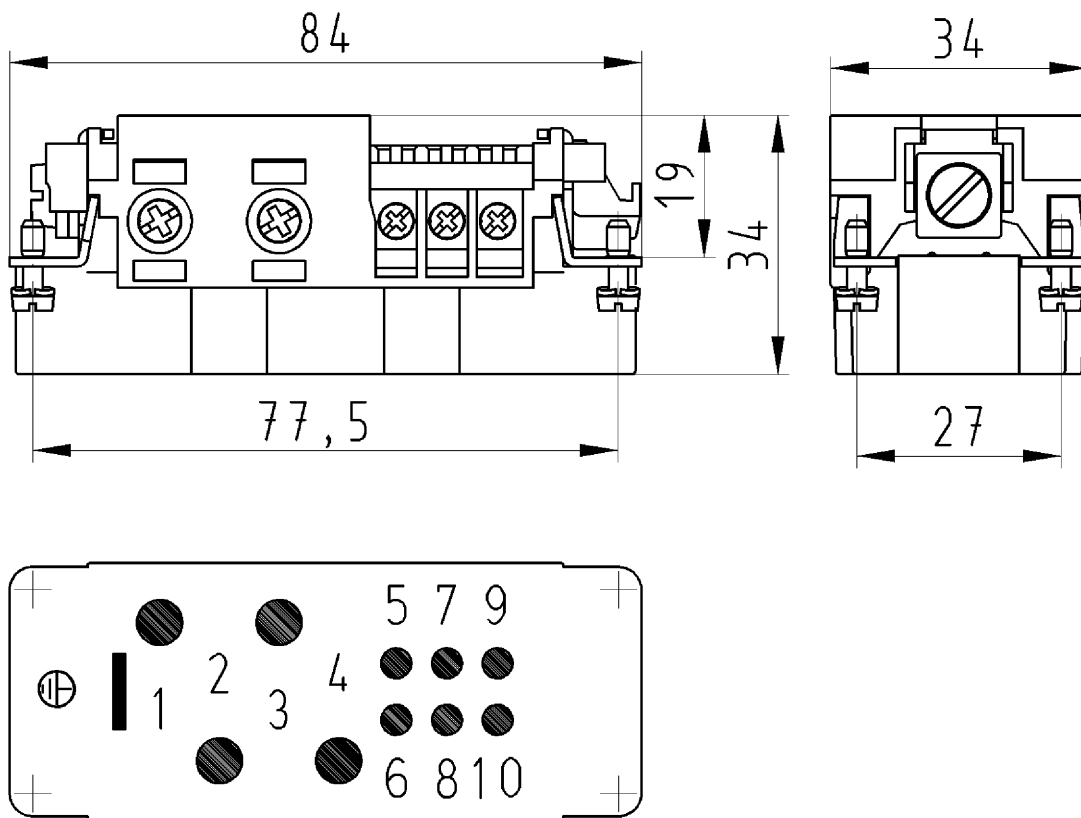
|               |                                |   |
|---------------|--------------------------------|---|
| 76.350.4035.1 | Hood BAS GOT GG 40HM25 50 A1   | Hood revos basic made of aluminum, for single locking lever with threaded hole M25 on the right side, low version, 40-poles   |
| 76.350.4035.2 | Hood BAS GOT GG 40HM25 50 A2   | Hood revos basic made of aluminum, for single locking lever with nozzleM25 on the right side, low version, 40-poles   |
| 76.350.4035.3 | Hood BAS GOT GG 16H M25 A3     | Hood revos basic made of aluminum, for single locking lever with trumpet gland M25 on the right side (IP54), low version, 16-poles                                    |
| 76.351.1635.1 | Hood BAS GOT GH 16H M20 A1     | Hood revos basic made of aluminum, for single locking lever with threaded hole M20 on the front, low version, 16-poles  |
| 76.351.1635.3 | Hood BAS GOT GH 10H M20 A3     | Hood revos basic made of aluminum, for single locking lever with trumpet gland M20 on the front (IP54), low version, 10-poles   |
| 76.352.4035.0 | Hood BAS GOT GI 40HM25 50 A0   | Hood revos basic made of aluminum, for single locking lever with cable gland M25 on the top (IP54), low version, 40-poles   |
| 76.352.4035.1 | Hood BAS GOT GI 16HM25 A1      | Hood revos basic made of aluminum, for single locking lever with threaded hole M25 on the top, low version, 16-poles  |
| 76.352.4035.3 | Hood BAS GOT GI 16H M25 A3     | Hood revos basic made of aluminum, for single locking lever with trumpet gland M25 on the top (IP54), low version, 16-poles   |
| 76.353.4035.0 | Hood BAS GOT GG 40HM32 50 A0   | Hood revos basic made of aluminum, for single locking lever with cable gland M32 on the right side (IP54), low version, 40-poles                                      |
| 76.353.4035.1 | Hood BAS GOT GG 16HM32 A1      | Hood revos basic made of aluminum, for single locking lever with threaded hole M32 on the right side, low version, 16-poles   |
| 76.353.4035.2 | Hood BAS GOT GG 40HM32 50 A2   | Hood revos basic made of aluminum, for single locking lever with nozzleM32 on the right side, low version, 40-poles   |
| 76.353.4035.3 | Hood BAS GOT GG 16H M32 A3     | Hood revos basic made of aluminum, for single locking lever with trumpet gland M32 on the right side (IP54), low version, 16-poles                                    |
| 76.354.4035.0 | Hood BAS GOT GI 40HM32 50 A0   | Hood revos basic made of aluminum, for single locking lever with cable gland M32 on the top (IP54), low version, 40-poles   |
| 76.354.4035.1 | Hood BAS GOT GI 40HM32 50 A1   | Hood revos basic made of aluminum, for single locking lever with threaded hole M32 on the top, low version, 40-poles  |
| 76.354.4035.3 | Hood BAS GOT GI 16H M32 A3     | Hood revos basic made of aluminum, for single locking lever with trumpet gland M32 on the top (IP54), low version, 16-poles   |
| 76.360.4035.0 | Hood BAS GOT GG 16H M40 A0     | Hood revos basic made of aluminum, for single locking lever with cable gland M40 on the right side (IP54), low version, 16-poles                                      |
| 76.360.4035.1 | Hood BAS GOT GG 40HM40 50 A1   | Hood revos basic made of aluminum, for single locking lever with threaded hole M40 on the right side, low version, 40-poles   |
| 76.362.4035.1 | Hood BAS GOT GI 40HM40 50 A1   | Hood revos basic made of aluminum, for single locking lever with threaded hole M40 on the top, low version, 40-poles  |
| 76.374.4035.0 | Hood BAS GOT GL 40HM32 50 A0   | Connectors for free cable connections revos basic made of aluminum, with single locking lever and cable gland M32 on the top - free cable connection (IP54), 40-poles |
| 76.330.4035.0 | Bottom BAS GUT GL 40HM25 50 A0 | Bottom-base revos basic made of aluminum, with single locking lever and cable gland M25 on the right and left side (IP54), low version, 40-polig                      |
| 76.330.4035.1 | Bottom BAS GUT GL 40HM25 50 A1 | Bottom-base revos basic made of aluminum, with single locking lever and threaded hole M25 on the right and left side, low version, 40-polig                           |
| 76.331.4035.0 | Bottom BAS GUT GM 40HM25 50 A0 | Bottom-base revos basic made of aluminum, with single locking lever and cable gland M25 on the left side (IP54), low version, 40-polig                                |
| 76.331.4035.1 | Bottom BAS GUT GM 40HM25 50 A1 | Bottom-base revos basic made of aluminum, with single locking lever and threaded hole M25 on the left side, low version, 40-polig                                     |
| 76.333.4035.0 | Bottom BAS GUT GO 40HM25 50 A0 | Bottom-base revos basic made of aluminum, with single locking lever and cable gland M25 on the bottom (IP54), low version, 40-polig                                   |
| 76.333.4035.1 | Bottom BAS GUT GO 40HM25 50 A1 | Bottom-base revos basic made of aluminum, with single locking lever and threaded hole M25 on the bottom, low version, 40-polig  |
| 76.334.4035.1 | Bottom BAS GUT GL 40HM32 50 A1 | Bottom-base revos basic made of aluminum, with single locking lever and threaded hole M32 on the right and left side, low version, 40-polig                           |
| 76.335.4035.0 | Bottom BAS GUT GM 40HM32 50 A0 | Bottom-base revos basic made of aluminum, with single locking lever and cable gland M32 on the left side (IP54), low version, 40-polig                                |

|               |                                |   |
|---------------|--------------------------------|---|
| 76.335.4035.1 | Bottom BAS GUT GM 40HM32 50 A1 | Bottom-base revos basic made of aluminum, with single locking lever and threaded hole M32 on the left side, low version, 40-polig   |
| 76.337.4035.1 | Bottom BAS GUT GO 40HM32 50 A1 | Bottom-base revos basic made of aluminum, with single locking lever and threaded hole M32 on the bottom, low version, 40-polig  |
| 76.340.4035.0 | Bottom BAS GUT GR 40HM25 50 A0 | Bottom-base revos basic made of aluminum, with single locking lever and cable gland M25 on the right and the left side, with protective cover (IP54), low version, 40-polig |
| 76.340.4035.1 | Bottom BAS GUT GR 40HM25 50 A1 | Bottom-base revos basic made of aluminum, with single locking lever and threaded hole M25 on the right and the left side, with protective cover, low version, 40-polig      |
| 76.341.4035.0 | Bottom BAS GUT GS 40HM25 50 A0 | Bottom-base revos basic made of aluminum, with single locking lever and cable gland M25 on the left side, with protective cover (IP54), low version, 40-polig               |
| 76.341.4035.1 | Bottom BAS GUT GS 40HM25 50 A1 | Bottom-base revos basic made of aluminum, with single locking lever and threaded hole M25 on the left side, with protective cover, low version, 40-polig                    |
| 76.344.4035.0 | Bottom BAS GUT GR 40HM32 50 A0 | Bottom-base revos basic made of aluminum, with single locking lever and cable gland M32 on the right and the left side, with protective cover (IP54), low version, 40-polig |
| 76.344.4035.1 | Bottom BAS GUT GR 40HM32 50 A1 | Bottom-base revos basic made of aluminum, with single locking lever and threaded hole M32 on the right and the left side, with protective cover, low version, 40-polig      |
| 76.345.4035.0 | Bottom BAS GUT GS 16HM32 A0    | Bottom-base revos basic made of aluminum, with single locking lever and cable gland M32 on the left side, with protective cover (IP54), low version, 16-polig               |
| 76.345.4035.1 | Bottom BAS GUT GS 40HM32 50 A1 | Bottom-base revos basic made of aluminum, with single locking lever and threaded hole M32 on the left side, with protective cover, low version, 40-polig                    |
| 76.346.4035.0 | Bottom BAS GUT GT 40HM32 50 A0 | Bottom-base revos basic made of aluminum, with single locking lever and cable gland M32 on the right side, with protective cover (IP54), low version, 40-polig              |
| 76.346.4035.1 | Bottom BAS GUT GT 40HM32 50 A1 | Bottom-base revos basic made of aluminum, with single locking lever and threaded hole M32 on the right side, with protective cover, low version, 40-polig                   |
| 76.347.4035.0 | Bottom BAS GUT GU 40HM32 50 A0 | Bottom-base revos basic made of aluminum, with single locking lever and cable gland M32 on the bottom, with protective cover (IP54), low version, 40-polig                  |
| 76.347.4035.1 | Bottom BAS GUT GU 40HM32 50 A1 | Bottom-base revos basic made of aluminum, with single locking lever and threaded hole M32 on the bottom, with protective cover, low version, 40-polig                       |
| 73.350.4035.0 | Hood BAS GOT GA 16HM25 50 A0   | Hood revos basic made of aluminum, for double locking lever or screw cap with cable gland M25 on the right side (IP54), low version, 16-poles                               |
| 73.350.4035.1 | Hood BAS GOT GA 16HM25 50 A1   | Hood revos basic made of aluminum, for double locking lever or screw cap with threaded hole M25 on the right side, low version, 16-poles                                    |
| 73.350.4035.2 | Hood BAS GOT GA 16HM25 50 A2   | Hood revos basic made of aluminum, for double locking lever or screw cap with nozzle M25 on the right side, low version, 16-poles   |
| 73.350.4035.3 | Hood BAS GOT GA 16H M25 A3     | Hood revos basic made of aluminum, for double locking lever or screw cap with trumpet gland M25 on the right side (IP54), low version, 16-poles                             |
| 73.351.1635.1 | Hood BAS GOT GB 16H M25 A1     | Hood revos basic made of aluminum, for double locking lever and threaded hole M25 on the front, low version, 16-poles   |
| 73.351.1635.3 | Hood BAS GOT GB 16H M25 A3     | Hood revos basic made of aluminum, for double locking lever and trumpet gland M25 on the front (IP54), low version, 16-poles  |

|               |                              |  |
|---------------|------------------------------|--|
| 73.352.4035.0 | Hood BAS GOT GC 16HM25 50 A0 | Hood revos basic made of aluminum, for double locking lever or. screw cap with cable gland M25 on the top (IP54), low version, 16-poles          |
| 73.352.4035.1 | Hood BAS GOT GC 16HM25 50 A1 | Hood revos basic made of aluminum, for double locking lever or. screw cap with threaded hole M25 on the top, low version, 16-poles               |
| 73.352.4035.2 | Hood BAS GOT GC 16HM25 50 A2 | Hood revos basic made of aluminum, for double locking lever or. screw cap with nozzle M25 on the top, low version, 16-poles                      |
| 73.352.4035.3 | Hood BAS GOT GC 16H M25 A3   | Hood revos basic made of aluminum, for double locking lever or. screw cap with trumpet gland M25 on the top (IP54), low version, 16-poles        |
| 73.353.4035.0 | Hood BAS GOT GA 40HM32 50 A0 | Hood revos basic made of aluminum, for double locking lever or. screw cap with cable gland M32 on the right side (IP54), high version, 40- poles |
| 73.353.4035.1 | Hood BAS GOT GA 40HM32 50 A1 | Hood revos basic made of aluminum, for double locking lever or. screw cap with threaded hole M32 on the right side, low version, 40-poles        |
| 73.353.4035.2 | Hood BAS GOT GA 40HM32 50 A2 | Hood revos basic made of aluminum, for double locking lever or. screw cap with nozzle M32 on the right side, low version, 40-poles               |
| 73.353.4035.3 | Hood BAS GOT GA 16HM32 A3    | Hood revos basic made of aluminum, for double locking lever or. screw cap with trumpet gland M32 on the right side (IP54), low version, 16-poles |
| 73.354.4035.0 | Hood BAS GOT GC 16HM32 50 A0 | Hood revos basic made of aluminum, for double locking lever or. screw cap with cable gland M32 on the top (IP54), low version, 16-poles          |
| 73.354.4035.1 | Hood BAS GOT GC 16HM32 50 A1 | Hood revos basic made of aluminum, for double locking lever or. screw cap with threaded hole M32 on the top, low version, 16-poles               |
| 73.354.4035.2 | Hood BAS GOT GC 16HM32 50 A2 | Hood revos basic made of aluminum, for double locking lever or. screw cap with nozzle M32 on the top, low version, 16-poles                      |
| 73.354.4035.3 | Hood BAS GOT GC 16HM32 A2    | Hood revos basic made of aluminum, for double locking lever or. screw cap with nozzle M32 on the top, low version, 16-poles                      |
| 73.355.4035.1 | Hood BAS GOT GD 16HM25 50 A1 | Hood revos basic made of aluminum, with double locking lever and threaded hole M25 on the right side, low version, 16-poles                      |
| 73.357.4035.0 | Hood BAS GOT GF 16HM25 50 A0 | Hood revos basic made of aluminum, with double locking lever and cable gland M25 on the top (IP54), low version, 16-poles                        |
| 73.357.4035.1 | Hood BAS GOT GF 16HM25 50 A1 | Hood revos basic made of aluminum, with double locking lever and threaded hole M25 on the top, low version, 16-poles                             |
| 73.357.4035.2 | Hood BAS GOT GF 16HM25 50 A2 | Hood revos basic made of aluminum, with double locking lever and nozzleM25 on the top, low version, 16-poles                                     |
| 73.358.4035.0 | Hood BAS GOT GD 16HM32 50 A0 | Hood revos basic made of aluminum, with double locking lever and cable gland M32 on the right side (IP54), low version, 16-poles                 |
| 73.358.4035.1 | Hood BAS GOT GD 16HM32 50 A1 | Hood revos basic made of aluminum, with double locking lever and threaded hole M32 on the right side, low version, 16-poles                      |
| 73.359.4035.0 | Hood BAS GOT GF 16HM32 50 A0 | Hood revos basic made of aluminum, with double locking lever and cable gland M32 on the top (IP54), low version, 16-poles                        |
| 73.359.4035.1 | Hood BAS GOT GF 16HM32 50 A1 | Hood revos basic made of aluminum, with double locking lever and threaded hole M32 on the top, high version, 16-poles                            |
| 73.359.4035.2 | Hood BAS GOT GF 16HM32 50 A2 | Hood revos basic made of aluminum, with double locking lever and nozzleM32 on the top, low version, 16-poles                                     |
| 73.359.4035.3 | Hood BAS GOT GF 16HM32 A3    | Hood revos basic made of aluminum, with double locking lever and trumpet gland M32 on the top (IP54), low version, 16-poles                      |
| 73.360.4035.0 | Hood BAS GOT GA 16HM40 A0    | Hood revos basic made of aluminum, for double locking lever or. screw cap with cable gland M40 on the right side (IP54), low version, 16-poles   |
| 73.360.4035.1 | Hood BAS GOT GA 16HM40 50 A1 | Hood revos basic made of aluminum, for double locking lever or. screw cap with threaded hole M40 on the right side, low version, 16-poles        |

|               |                                |  |
|---------------|--------------------------------|--|
| 73.362.4035.1 | Hood BAS GOT GC 16HM40 50 A1   | Hood revos basic made of aluminum, for double locking lever or screw cap with threaded hole M40 on the top, low version, 16-poles                                  |
| 73.330.4035.0 | Bottom BAS GUT GB 16HM25 50 A0 | Bottom-base revos basic made of aluminum, with double locking lever or screw cap with cable gland M25 on the right and left side (IP54), low version, 16-polig     |
| 73.330.4035.1 | Bottom BAS GUT GB 16HM25 50 A1 | Bottom-base revos basic made of aluminum, with double locking lever or screw cap with threaded hole M25 on the right and left side, low version, 16-polig          |
| 73.331.4035.0 | Bottom BAS GUT GC 16HM25 50 A0 | Bottom-base revos basic made of aluminum, with double locking lever or screw cap with cable gland M25 on the left side (IP54), low version, 16-polig               |
| 73.331.4035.1 | Bottom BAS GUT GC 16M25 50 A1  | Bottom-base revos basic made of aluminum, with double locking lever or screw cap with threaded hole M25 on the left side, low version, 16-polig                    |
| 73.333.4035.0 | Bottom BAS GUT GD 16HM25 50 A0 | Bottom-base revos basic made of aluminum, with double locking lever or screw cap with cable gland M25 on the right side (IP54), low version, 16-polig              |
| 73.333.4035.1 | Bottom BAS GUT GD 16HM25 50 A1 | Bottom-base revos basic made of aluminum, with double locking lever or screw cap with threaded hole M25 on the right side, low version, 16-polig                   |
| 73.334.4035.0 | Bottom BAS GUT GB 16HM32 50 A0 | Bottom-base revos basic made of aluminum, with double locking lever or screw cap with cable gland M32 on the right and left side (IP54), low version, 16-polig     |
| 73.334.4035.1 | Bottom BAS GUT GB 16HM32 50 A1 | Bottom-base revos basic made of aluminum, with double locking lever or screw cap with threaded hole M32 on the right and left side, low version, 16-polig          |
| 73.335.4035.0 | Bottom BAS GUT GC 16HM32 50 A0 | Bottom-base revos basic made of aluminum, with double locking lever or screw cap with cable gland M32 on the left side (IP54), high version, 6-poles               |
| 73.335.4035.1 | Bottom BAS GUT GC 16HM32 50 A1 | Bottom-base revos basic made of aluminum, with double locking lever or screw cap with threaded hole M32 on the left side, low version, 16-polig                    |
| 73.337.4035.0 | Bottom BAS GUT GD 16HM32 50 A0 | Bottom-base revos basic made of aluminum, with double locking lever or screw cap with cable gland M32 on the right side (IP54), low version, 16-polig              |
| 73.337.4035.1 | Bottom BAS GUT GD 16HM32 50 A1 | Bottom-base revos basic made of aluminum, with double locking lever or screw cap with threaded hole M32 on the right side, low version, 16-polig                   |
| 73.338.4035.1 | Bottom BAS GUT GB 16H M40 A1   | Bottom-base revos basic made of aluminum, with double locking lever or screw cap with threaded hole M40 on the right and left side, low version, 16-polig          |
| 73.339.4035.1 | Bottom BAS GUT GC 16H M40 A1   | Bottom-base revos basic made of aluminum, with double locking lever or screw cap with threaded hole M40 on the left side, low version, 16-polig                    |
| 73.340.4035.0 | Bottom BAS GUT GB 16H M40 A1   | Bottom-base revos basic made of aluminum, with double locking lever or screw cap with threaded hole M40 on the right and left side, low version, 16-polig          |
| 73.340.4035.1 | Bottom BAS GUT GF 16HM25 50 A1 | Bottom-base revos basic made of aluminum, for double locking lever with threaded hole M25 on the left and right side, with protective cover, low version, 16-polig |
| 73.341.4035.0 | Bottom BAS GUT GC 16H M40 A1   | Bottom-base revos basic made of aluminum, with double locking lever or screw cap with threaded hole M40 on the left side, low version, 16-polig                    |
| 73.341.4035.1 | Bottom BAS GUT GG 16HM25 50 A1 | Bottom-base revos basic made of aluminum, with double locking lever and threaded hole M25 on the left side, with protective cover, low version, 16-polig           |

|               |                                |   |
|---------------|--------------------------------|---|
| 73.342.4035.1 | Bottom BAS GUT GH 16HM25 50 A1 | Bottom-base revos basic made of aluminum, with double locking lever and threaded hole M25 on the right side, with protective cover, low version, 16-polig               |
| 73.344.4035.0 | Bottom BAS GUT GF 16HM32 50 A0 | Bottom-base revos basic made of aluminum, for double locking lever with cable gland M32 on the left and right side, with protective cover (IP54), low version, 16-polig |
| 73.344.4035.1 | Bottom BAS GUT GF 16HM32 50 A1 | Bottom-base revos basic made of aluminum, for double locking lever with threaded hole M32 on the left and right side, with protective cover, high version, 16-polig     |
| 73.345.4035.0 | Bottom BAS GUT GG 16HM32 50 A0 | Bottom-base revos basic made of aluminum, with double locking lever and cable gland M32 on the left side, with protective cover (IP54), low version, 16-polig           |
| 73.345.4035.1 | Bottom BAS GUT GG 16HM32 50 A1 | Bottom-base revos basic made of aluminum, with double locking lever and threaded hole M32 on the left side, with protective cover, low version, 16-polig                |
| 73.346.4035.0 | Bottom BAS GUT GH 16HM32 50 A0 | Bottom-base revos basic made of aluminum, with double locking lever and cable gland M32 on the right side, with protective cover (IP54), low version, 16-polig          |
| 73.346.4035.1 | Bottom BAS GUT GH 16HM32 50 A1 | Bottom-base revos basic made of aluminum, with double locking lever and threaded hole M32 on the right side, with protective cover, low version, 16-polig               |
| 73.347.4035.0 | Bottom BAS GUT GI 16HM32 50 A0 | Bottom-base revos basic made of aluminum, with double locking lever and cable gland M32 on the bottom, with protective cover (IP54), low version, 16-polig              |
| 73.347.4035.1 | Bottom BAS GUT GI 40HM32 50 A1 | Bottom-base revos basic made of aluminum, with double locking lever and threaded hole M32 on the bottom, with protective cover, low version, 40-polig                   |



Weitergabe sowie Vervielfältigung dieses Dokuments, Verwertung und Mitteilung  
 seines Inhalts sind verboten, soweit nicht ausdrücklich gestattet.  
 The reproduction, distribution and utilization of this document as well as the  
 communication of its contents to others without express authorization is prohibited.

Steckereinsatz  
72.215.1053.0

Zeichnungsnummer  
72.215.1053.010W  
Steckereinsatz

14.11.2007  
Schreiber Patrick  
M 1:1