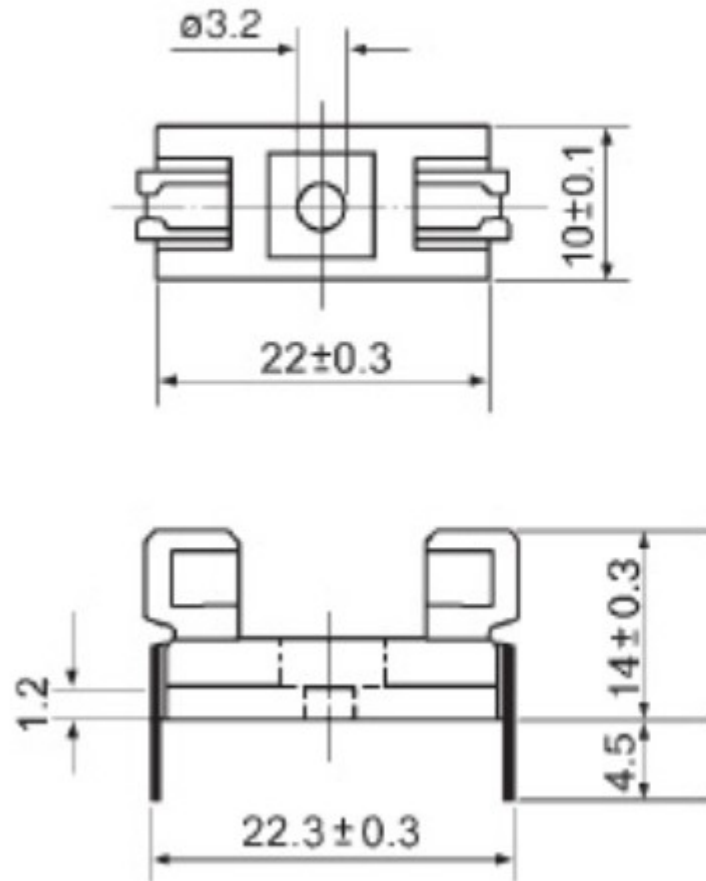


## ZH-243 Series



### Product details:

Suitable fuse:  $\phi 5.2 \times 20$ mm

Maximum rated value: 6A. 250V. AC

Holder: Flame-retarded plastic

Casing: PC

Clip pole: Silver-plating brass