

### Negative voltage regulators

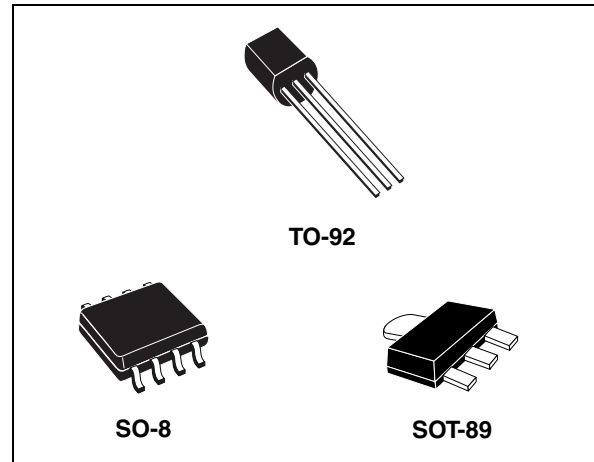
#### Features

- Output current up to 100 mA
- Output voltages of -5; -6; -8; -9; -12; -15 V
- Thermal overload protection
- Short circuit protection
- No external components are required
- Available in either  $\pm 5\%$  (AC) or  $\pm 10\%$  (C) selection

#### Description

The L79Lxx series of three-terminal negative regulators employ internal current limiting and thermal shutdown, making them essentially indestructible. If adequate heat-sink is provided, they can deliver up to 100 mA output current.

They are intended as fixed voltage regulators in a wide range of applications including local or on-card regulation for elimination of noise and distribution problems associated with single-point regulation. In addition, they can be used with



power pass elements to make high-current voltage regulators.

The L79Lxx series used as Zener diode/resistor combination replacement, offers an effective output impedance improvement of typically two orders of magnitude, along with lower quiescent current and lower noise.

**Table 1. Device summary**

Part numbers	
L79L05AC	L79L09AC
L79L05AB	L79L09AB
L79L06C	L79L12C
L79L06AC	L79L12AC
L79L06AB	L79L12AB
L79L08C	L79L15C
L79L08AC	L79L15AC
L79L08AB	L79L15AB
L79L09C	

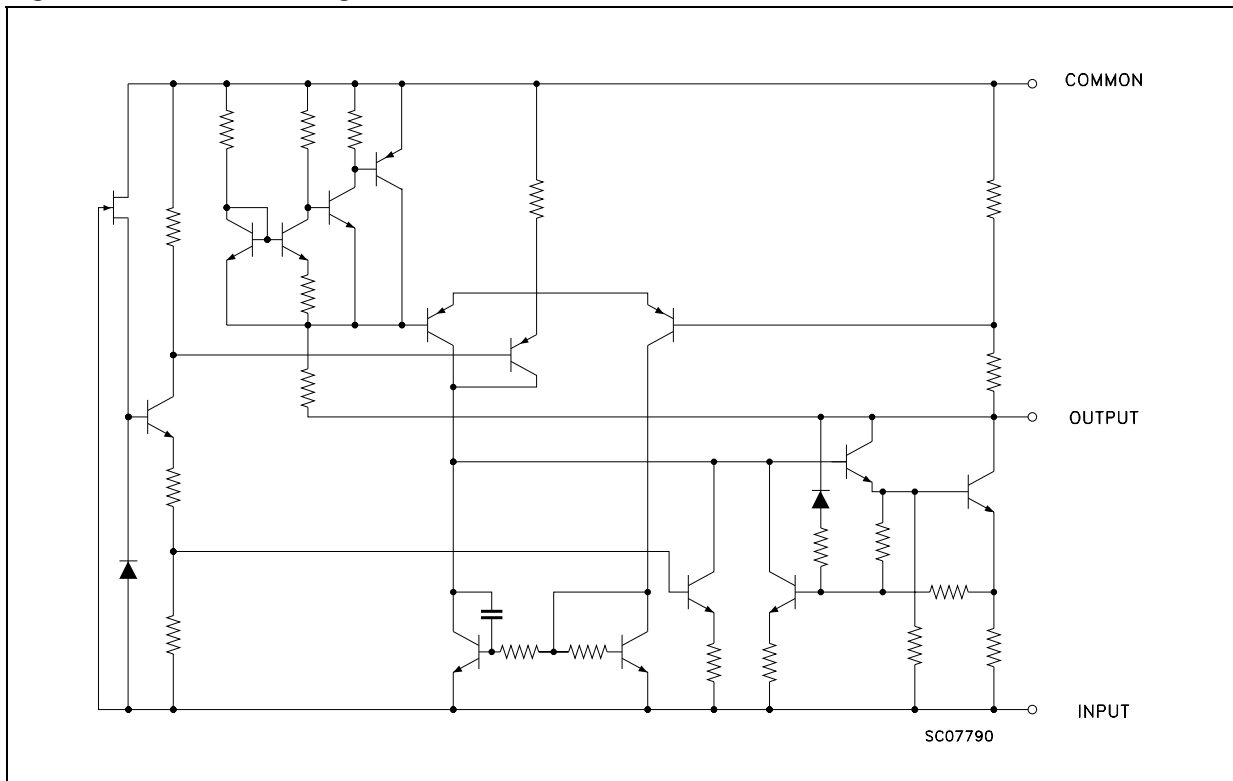
---

# Contents

1	Diagram .....	3
2	Pin configuration .....	4
3	Maximum ratings .....	5
4	Electrical characteristics .....	6
5	Package mechanical data .....	18
6	Order codes .....	25
7	Revision history .....	26

# 1 Diagram

Figure 1. Schematic diagram



## 2 Pin configuration

Figure 2. Pin connection (top view, bottom view for TO-92)

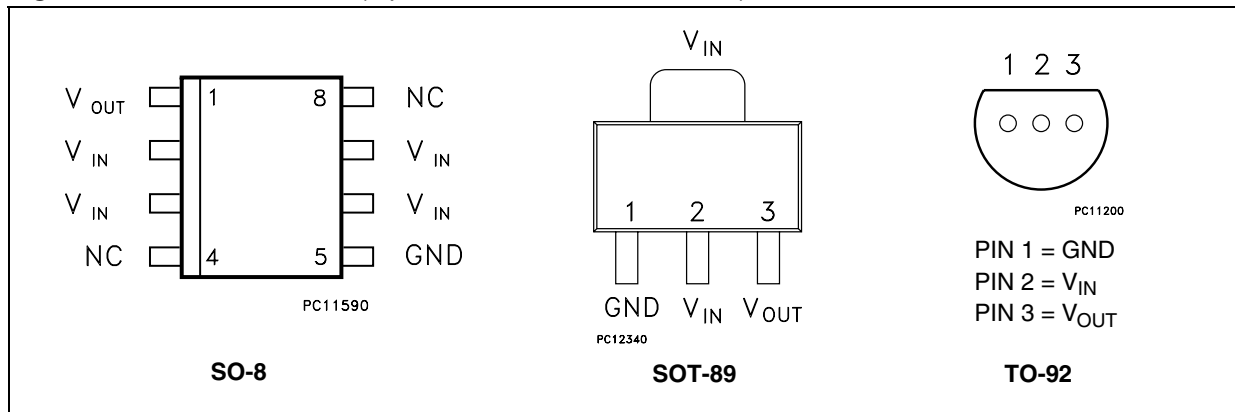
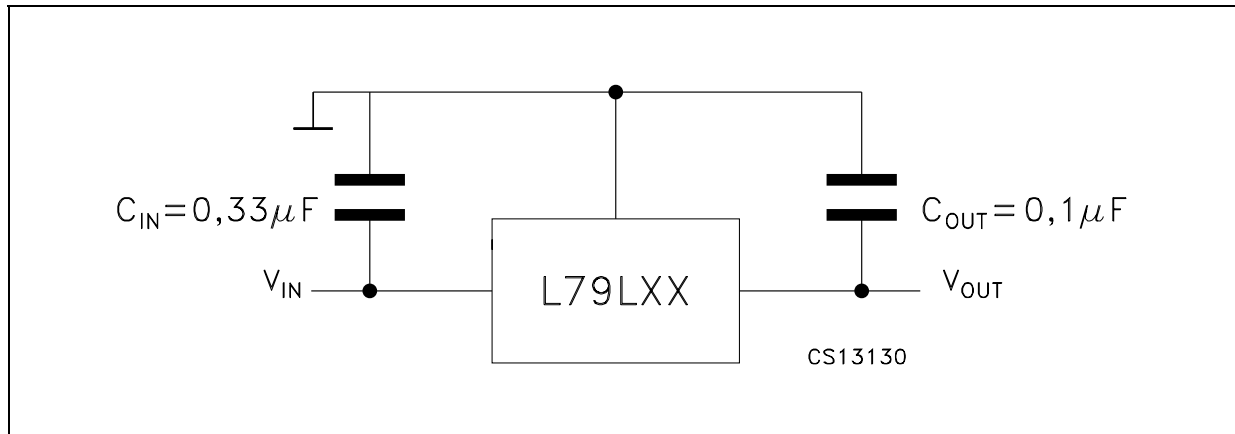


Figure 3. Test circuit



### 3 Maximum ratings

**Table 2. Absolute maximum ratings**

Symbol	Parameter		Value	Unit
V <sub>I</sub>	DC input voltage	V <sub>O</sub> = -5 to -9 V	-30	V
		V <sub>O</sub> = -12 to -15 V	-35	
I <sub>O</sub>	Output current		100	mA
P <sub>D</sub>	Power dissipation		Internally limited <sup>(1)</sup>	mW
T <sub>STG</sub>	Storage temperature range		-40 to 150	°C
T <sub>OP</sub>	Operating junction temperature range	For L79L00C, L79L00AC	0 to 125	°C
		For L79L00AB	-40 to 125	

- Our SO-8 package used for Voltage Regulators is modified internally to have pins 2, 3, 6 and 7 electrically communed to the die attach flag. This particular frame decreases the total thermal resistance of the package and increases its ability to dissipate power when an appropriate area of copper on the printed circuit board is available for heat-sinking. The external dimensions are the same as for the standard SO-8.

**Table 3. Thermal data**

Symbol	Parameter	SO-8	TO-92	SOT-89	Unit
R <sub>thJC</sub>	Thermal resistance junction-case. (Max)	20		15	°C/W
R <sub>thJA</sub>	Thermal resistance junction-ambient. (Max)	55 <sup>(1)</sup>	200		°C/W

- Considering 6 cm<sup>2</sup> of copper Board heat-sink.

## 4 Electrical characteristics

Refer to the test circuits,  $T_J = 0$  to  $125$  °C,  $V_I = -10$  V,  $I_O = 40$  mA,  $C_I = 0.33$   $\mu$ F,  $C_O = 0.1$   $\mu$ F unless otherwise specified.

**Table 4. Electrical characteristics of L79L05**

Symbol	Parameter	Test conditions	Min.	Typ.	Max.	Unit
$V_O$	Output voltage	$T_J = 25^\circ\text{C}$	-4.6	-5	-5.4	V
$V_O$	Output voltage	$I_O = 1$ to $40$ mA, $V_I = -7$ to $-20$ V	-4.5		-5.5	V
		$I_O = 1$ to $70$ mA, $V_I = -10$ V	-4.5		-5.5	
$\Delta V_O$	Line regulation	$V_I = -7$ to $-20$ V, $T_J = 25^\circ\text{C}$			200	mV
		$V_I = -8$ to $-20$ V, $T_J = 25^\circ\text{C}$			150	
$\Delta V_O$	Load regulation	$I_O = 1$ to $100$ mA, $T_J = 25^\circ\text{C}$			60	mV
		$I_O = 1$ to $40$ mA, $T_J = 25^\circ\text{C}$			30	
$I_d$	Quiescent current	$T_J = 25^\circ\text{C}$			6	mA
		$T_J = 125^\circ\text{C}$			5.5	mA
$\Delta I_d$	Quiescent current change	$I_O = 1$ to $40$ mA			0.2	mA
		$V_I = -8$ to $-20$ V			1.5	
eN	Output noise voltage	$B = 10\text{Hz}$ to $100\text{kHz}$ , $T_J = 25^\circ\text{C}$		40		$\mu$ V
SVR	Supply voltage rejection	$V_I = -8$ to $-18\text{V}$ , $f = 120\text{Hz}$ $I_O = 40$ mA, $T_J = 25^\circ\text{C}$	40	49		dB
$V_d$	Dropout voltage			1.7		V

Refer to the test circuits,  $T_J = 0$  to  $125$  °C,  $V_I = -12$  V,  $I_O = 40$  mA,  $C_I = 0.33$   $\mu$ F,  $C_O = 0.1$   $\mu$ F unless otherwise specified.

**Table 5. Electrical characteristics of L79L06**

Symbol	Parameter	Test conditions	Min.	Typ.	Max.	Unit
$V_O$	Output voltage	$T_J = 25^\circ\text{C}$	-5.52	-6	-6.48	V
$V_O$	Output voltage	$I_O = 1$ to $40$ mA, $V_I = -8.5$ to $-20$ V	-5.4		-6.6	V
		$I_O = 1$ to $70$ mA, $V_I = -12$ V	-5.4		-6.6	
$\Delta V_O$	Line regulation	$V_I = -8.5$ to $-20$ V, $T_J = 25^\circ\text{C}$			200	mV
		$V_I = -9$ to $-20$ V, $T_J = 25^\circ\text{C}$			150	
$\Delta V_O$	Load regulation	$I_O = 1$ to $100$ mA, $T_J = 25^\circ\text{C}$			60	mV
		$I_O = 1$ to $40$ mA, $T_J = 25^\circ\text{C}$			30	
$I_d$	Quiescent current	$T_J = 25^\circ\text{C}$			6	mA
		$T_J = 125^\circ\text{C}$			5.5	mA
$\Delta I_d$	Quiescent current change	$I_O = 1$ to $40$ mA			0.2	mA
		$V_I = -8$ to $-20$ V			1.5	
eN	Output noise voltage	B = 10Hz to 100kHz, $T_J = 25^\circ\text{C}$		50		$\mu$ V
SVR	Supply voltage rejection	$V_I = -9$ to $-20$ V, $f = 120$ Hz $I_O = 40$ mA, $T_J = 25^\circ\text{C}$	38	46		dB
$V_d$	Dropout voltage			1.7		V

Refer to the test circuits,  $T_J = 0$  to  $125$  °C,  $V_I = -14$  V,  $I_O = 40$  mA,  $C_I = 0.33$   $\mu$ F,  $C_O = 0.1$   $\mu$ F unless otherwise specified.

**Table 6. Electrical characteristics of L79L08**

Symbol	Parameter	Test conditions	Min.	Typ.	Max.	Unit
$V_O$	Output voltage	$T_J = 25^\circ\text{C}$	-7.36	-8	-8.64	V
$V_O$	Output voltage	$I_O = 1$ to $40$ mA, $V_I = -10.5$ to $-23$ V	-7.2		-8.8	V
		$I_O = 1$ to $70$ mA, $V_I = -14$ V	-7.2		-8.8	
$\Delta V_O$	Line regulation	$V_I = -10.5$ to $-23$ V, $T_J = 25^\circ\text{C}$			200	mV
		$V_I = -11$ to $-23$ V, $T_J = 25^\circ\text{C}$			150	
$\Delta V_O$	Load regulation	$I_O = 1$ to $100$ mA, $T_J = 25^\circ\text{C}$			80	mV
		$I_O = 1$ to $40$ mA, $T_J = 25^\circ\text{C}$			40	
$I_d$	Quiescent current	$T_J = 25^\circ\text{C}$			6	mA
		$T_J = 125^\circ\text{C}$			5.5	mA
$\Delta I_d$	Quiescent current change	$I_O = 1$ to $40$ mA			0.2	mA
		$V_I = -11$ to $-23$ V			1.5	
eN	Output noise voltage	$B = 10\text{Hz}$ to $100\text{kHz}$ , $T_J = 25^\circ\text{C}$		60		$\mu$ V
SVR	Supply voltage rejection	$V_I = -12$ to $-23\text{V}$ , $f = 120\text{Hz}$ $I_O = 40$ mA, $T_J = 25^\circ\text{C}$	36	45		dB
$V_d$	Dropout voltage			1.7		V



Refer to the test circuits,  $T_J = 0$  to  $125$  °C,  $V_I = -15$  V,  $I_O = 40$  mA,  $C_I = 0.33$   $\mu$ F,  $C_O = 0.1$   $\mu$ F unless otherwise specified.

**Table 7. Electrical characteristics of L79L09**

Symbol	Parameter	Test conditions	Min.	Typ.	Max.	Unit
$V_O$	Output voltage	$T_J = 25^\circ\text{C}$	-8.28	-9	-9.72	V
$V_O$	Output voltage	$I_O = 1$ to $40$ mA, $V_I = -11.5$ to $-23$ V	-8.1		-9.9	V
		$I_O = 1$ to $70$ mA, $V_I = -15$ V	-8.1		-9.9	
$\Delta V_O$	Line regulation	$V_I = -11.5$ to $-23$ V, $T_J = 25^\circ\text{C}$			250	mV
		$V_I = -12$ to $-23$ V, $T_J = 25^\circ\text{C}$			200	
$\Delta V_O$	Load regulation	$I_O = 1$ to $100$ mA, $T_J = 25^\circ\text{C}$			80	mV
		$I_O = 1$ to $40$ mA, $T_J = 25^\circ\text{C}$			40	
$I_d$	Quiescent current	$T_J = 25^\circ\text{C}$			6	mA
		$T_J = 125^\circ\text{C}$			5.5	mA
$\Delta I_d$	Quiescent current change	$I_O = 1$ to $40$ mA			0.2	mA
		$V_I = -12$ to $-23$ V			1.5	
eN	Output noise voltage	$B = 10\text{Hz}$ to $100\text{kHz}$ , $T_J = 25^\circ\text{C}$		70		$\mu$ V
SVR	Supply voltage rejection	$V_I = -12$ to $-23\text{V}$ , $f = 120\text{Hz}$ $I_O = 40$ mA, $T_J = 25^\circ\text{C}$	36	44		dB
$V_d$	Dropout voltage			1.7		V

Refer to the test circuits,  $T_J = 0$  to  $125$  °C,  $V_I = -19$  V,  $I_O = 40$  mA,  $C_I = 0.33$   $\mu$ F,  $C_O = 0.1$   $\mu$ F unless otherwise specified.

**Table 8. Electrical characteristics of L79L12**

Symbol	Parameter	Test conditions	Min.	Typ.	Max.	Unit
$V_O$	Output voltage	$T_J = 25^\circ\text{C}$	-11.1	-12	-12.9	V
$V_O$	Output voltage	$I_O = 1$ to $40$ mA, $V_I = -14.5$ to $-27$ V	-10.8		-13.2	V
		$I_O = 1$ to $70$ mA, $V_I = -19$ V	-10.8		-13.2	
$\Delta V_O$	Line regulation	$V_I = -14.5$ to $-27$ V, $T_J = 25^\circ\text{C}$			250	mV
		$V_I = -16$ to $-27$ V, $T_J = 25^\circ\text{C}$			200	
$\Delta V_O$	Load regulation	$I_O = 1$ to $100$ mA, $T_J = 25^\circ\text{C}$			100	mV
		$I_O = 1$ to $40$ mA, $T_J = 25^\circ\text{C}$			50	
$I_d$	Quiescent current	$T_J = 25^\circ\text{C}$			6.5	mA
		$T_J = 125^\circ\text{C}$			6	mA
$\Delta I_d$	Quiescent current change	$I_O = 1$ to $40$ mA			0.2	mA
		$V_I = -16$ to $-27$ V			1.5	
eN	Output noise voltage	$B = 10\text{Hz}$ to $100\text{kHz}$ , $T_J = 25^\circ\text{C}$		80		$\mu$ V
SVR	Supply voltage rejection	$V_I = -15$ to $-25\text{V}$ , $f = 120\text{Hz}$ $I_O = 40$ mA, $T_J = 25^\circ\text{C}$	36	42		dB
$V_d$	Dropout voltage			1.7		V

Refer to the test circuits,  $T_J = 0$  to  $125$  °C,  $V_I = -23$  V,  $I_O = 40$  mA,  $C_I = 0.33$   $\mu$ F,  $C_O = 0.1$   $\mu$ F unless otherwise specified.

**Table 9. Electrical characteristics of L79L15**

Symbol	Parameter	Test conditions	Min.	Typ.	Max.	Unit
$V_O$	Output voltage	$T_J = 25^\circ\text{C}$	-13.8	-15	-16.2	V
$V_O$	Output voltage	$I_O = 1$ to $40$ mA, $V_I = -17.5$ to $-30$ V	-13.5		-16.5	V
		$I_O = 1$ to $70$ mA, $V_I = -23$ V	-13.5		-16.5	
$\Delta V_O$	Line regulation	$V_I = -17.5$ to $-30$ V, $T_J = 25^\circ\text{C}$			300	mV
		$V_I = -20$ to $-30$ V, $T_J = 25^\circ\text{C}$			250	
$\Delta V_O$	Load regulation	$I_O = 1$ to $100$ mA, $T_J = 25^\circ\text{C}$			150	mV
		$I_O = 1$ to $40$ mA, $T_J = 25^\circ\text{C}$			75	
$I_d$	Quiescent current	$T_J = 25^\circ\text{C}$			6.5	mA
		$T_J = 125^\circ\text{C}$			6	mA
$\Delta I_d$	Quiescent current change	$I_O = 1$ to $40$ mA			0.2	mA
		$V_I = -20$ to $-30$ V			1.5	
eN	Output noise voltage	B = 10Hz to 100kHz, $T_J = 25^\circ\text{C}$		90		$\mu$ V
SVR	Supply voltage rejection	$V_I = -18.5$ to $-28.5$ V, $f = 120$ Hz $I_O = 40$ mA, $T_J = 25^\circ\text{C}$	33	39		dB
$V_d$	Dropout voltage			1.7		V

Refer to the test circuits,  $V_I = -10\text{ V}$ ,  $I_O = 40\text{ mA}$ ,  $C_I = 0.33\text{ }\mu\text{F}$ ,  $C_O = 0.1\text{ }\mu\text{F}$ ,  $T_J = 0\text{ to }125\text{ }^\circ\text{C}$  for L79L05AC,  $T_J = -40\text{ to }125\text{ }^\circ\text{C}$  for L79L05AB, unless otherwise specified.

**Table 10. Electrical characteristics of L79L05AB and L79L05AC**

Symbol	Parameter	Test conditions	Min.	Typ.	Max.	Unit
$V_O$	Output voltage	$T_J = 25^\circ\text{C}$	-4.8	-5	-5.2	V
$V_O$	Output voltage	$I_O = 1\text{ to }40\text{ mA}$ , $V_I = -7\text{ to }-20\text{ V}$	-4.75		-5.25	V
		$I_O = 1\text{ to }70\text{ mA}$ , $V_I = -10\text{ V}$	-4.75		-5.25	
$\Delta V_O$	Line regulation	$V_I = -7\text{ to }-20\text{ V}$ , $T_J = 25^\circ\text{C}$			150	mV
		$V_I = -8\text{ to }-20\text{ V}$ , $T_J = 25^\circ\text{C}$			100	
$\Delta V_O$	Load regulation	$I_O = 1\text{ to }100\text{ mA}$ , $T_J = 25^\circ\text{C}$			60	mV
		$I_O = 1\text{ to }40\text{ mA}$ , $T_J = 25^\circ\text{C}$			30	
$I_d$	Quiescent current	$T_J = 25^\circ\text{C}$			6	mA
		$T_J = 125^\circ\text{C}$			5.5	mA
$\Delta I_d$	Quiescent current change	$I_O = 1\text{ to }40\text{ mA}$			0.1	mA
		$V_I = -8\text{ to }-20\text{ V}$			1.5	
eN	Output noise voltage	$B = 10\text{Hz to }100\text{kHz}$ , $T_J = 25^\circ\text{C}$		40		$\mu\text{V}$
SVR	Supply voltage rejection	$V_I = -8\text{ to }-18\text{V}$ , $f = 120\text{Hz}$ $I_O = 40\text{ mA}$ , $T_J = 25^\circ\text{C}$	41	49		dB
$V_d$	Dropout voltage			1.7		V

Refer to the test circuits,  $V_I = -12\text{ V}$ ,  $I_O = 40\text{ mA}$ ,  $C_I = 0.33\text{ }\mu\text{F}$ ,  $C_O = 0.1\text{ }\mu\text{F}$ ,  $T_J = 0\text{ to }125\text{ }^\circ\text{C}$  for L79L05AC,  $T_J = -40\text{ to }125\text{ }^\circ\text{C}$  for L79L05AB, unless otherwise specified.

**Table 11. Electrical characteristics of L79L06AB and L79L06AC**

Symbol	Parameter	Test conditions	Min.	Typ.	Max.	Unit
$V_O$	Output voltage	$T_J = 25^\circ\text{C}$	-5.76	-6	-6.24	V
$V_O$	Output voltage	$I_O = 1\text{ to }40\text{ mA}$ , $V_I = -8.5\text{ to }-20\text{ V}$	-5.7		-6.3	V
		$I_O = 1\text{ to }70\text{ mA}$ , $V_I = -12\text{ V}$	-5.7		-6.3	
$\Delta V_O$	Line regulation	$V_I = -8.5\text{ to }-20\text{ V}$ , $T_J = 25^\circ\text{C}$			150	mV
		$V_I = -9\text{ to }-20\text{ V}$ , $T_J = 25^\circ\text{C}$			100	
$\Delta V_O$	Load regulation	$I_O = 1\text{ to }100\text{ mA}$ , $T_J = 25^\circ\text{C}$			60	mV
		$I_O = 1\text{ to }40\text{ mA}$ , $T_J = 25^\circ\text{C}$			30	
$I_d$	Quiescent current	$T_J = 25^\circ\text{C}$			6	mA
		$T_J = 125^\circ\text{C}$			5.5	mA
$\Delta I_d$	Quiescent current change	$I_O = 1\text{ to }40\text{ mA}$			0.1	mA
		$V_I = -8\text{ to }-20\text{ V}$			1.5	
eN	Output noise voltage	$B = 10\text{Hz to }100\text{kHz}$ , $T_J = 25^\circ\text{C}$		50		$\mu\text{V}$
SVR	Supply voltage rejection	$V_I = -9\text{ to }-20\text{V}$ , $f = 120\text{Hz}$ $I_O = 40\text{ mA}$ , $T_J = 25^\circ\text{C}$	39	46		dB
$V_d$	Dropout voltage			1.7		V

Refer to the test circuits,  $V_I = -14$  V,  $I_O = 40$  mA,  $C_I = 0.33$   $\mu$ F,  $C_O = 0.1$   $\mu$ F,  $T_J = 0$  to  $125$  °C for L79L05AC,  $T_J = -40$  to  $125$  °C for L79L05AB, unless otherwise specified.

**Table 12. Electrical characteristics of L79L08AB and L79L08AC**

Symbol	Parameter	Test conditions	Min.	Typ.	Max.	Unit
$V_O$	Output voltage	$T_J = 25^\circ\text{C}$	-7.68	-8	-8.32	V
$V_O$	Output voltage	$I_O = 1$ to $40$ mA, $V_I = -10.5$ to $-23$ V	-7.6		-8.4	V
		$I_O = 1$ to $70$ mA, $V_I = -14$ V	-7.6		-8.4	
$\Delta V_O$	Line regulation	$V_I = -10.5$ to $-23$ V, $T_J = 25^\circ\text{C}$			175	mV
		$V_I = -11$ to $-23$ V, $T_J = 25^\circ\text{C}$			125	
$\Delta V_O$	Load regulation	$I_O = 1$ to $100$ mA, $T_J = 25^\circ\text{C}$			80	mV
		$I_O = 1$ to $40$ mA, $T_J = 25^\circ\text{C}$			40	
$I_d$	Quiescent current	$T_J = 25^\circ\text{C}$			6	mA
		$T_J = 125^\circ\text{C}$			5.5	mA
$\Delta I_d$	Quiescent current change	$I_O = 1$ to $40$ mA			0.1	mA
		$V_I = -11$ to $-23$ V			1.5	
eN	Output noise voltage	$B = 10\text{Hz}$ to $100\text{kHz}$ , $T_J = 25^\circ\text{C}$		60		$\mu$ V
SVR	Supply voltage rejection	$V_I = -12$ to $-23\text{V}$ , $f = 120\text{Hz}$ $I_O = 40$ mA, $T_J = 25^\circ\text{C}$	37	45		dB
$V_d$	Dropout voltage			1.7		V

Refer to the test circuits,  $V_I = -15\text{ V}$ ,  $I_O = 40\text{ mA}$ ,  $C_I = 0.33\text{ }\mu\text{F}$ ,  $C_O = 0.1\text{ }\mu\text{F}$ ,  $T_J = 0\text{ to }125\text{ }^\circ\text{C}$  for L79L05AC,  $T_J = -40\text{ to }125\text{ }^\circ\text{C}$  for L79L05AB, unless otherwise specified.

**Table 13. Electrical characteristics of L79L09AB and L79L09AC**

Symbol	Parameter	Test conditions	Min.	Typ.	Max.	Unit
$V_O$	Output voltage	$T_J = 25^\circ\text{C}$	-8.64	-9	-9.36	V
$V_O$	Output voltage	$I_O = 1\text{ to }40\text{ mA}$ , $V_I = -11.5\text{ to }-23\text{ V}$	-8.55		-9.45	V
		$I_O = 1\text{ to }70\text{ mA}$ , $V_I = -15\text{ V}$	-8.55		-9.45	
$\Delta V_O$	Line regulation	$V_I = -11.5\text{ to }-23\text{ V}$ , $T_J = 25^\circ\text{C}$			225	mV
		$V_I = -12\text{ to }-23\text{ V}$ , $T_J = 25^\circ\text{C}$			150	
$\Delta V_O$	Load regulation	$I_O = 1\text{ to }100\text{ mA}$ , $T_J = 25^\circ\text{C}$			80	mV
		$I_O = 1\text{ to }40\text{ mA}$ , $T_J = 25^\circ\text{C}$			40	
$I_d$	Quiescent current	$T_J = 25^\circ\text{C}$			6	mA
		$T_J = 125^\circ\text{C}$			5.5	mA
$\Delta I_d$	Quiescent current change	$I_O = 1\text{ to }40\text{ mA}$			0.1	mA
		$V_I = -12\text{ to }-23\text{ V}$			1.5	
eN	Output noise voltage	$B = 10\text{Hz to }100\text{kHz}$ , $T_J = 25^\circ\text{C}$		70		$\mu\text{V}$
SVR	Supply voltage rejection	$V_I = -12\text{ to }-23\text{V}$ , $f = 120\text{Hz}$ $I_O = 40\text{ mA}$ , $T_J = 25^\circ\text{C}$	37	44		dB
$V_d$	Dropout voltage			1.7		V

Refer to the test circuits,  $V_I = -19\text{ V}$ ,  $I_O = 40\text{ mA}$ ,  $C_I = 0.33\text{ }\mu\text{F}$ ,  $C_O = 0.1\text{ }\mu\text{F}$ ,  $T_J = 0\text{ to }125\text{ }^\circ\text{C}$  for L79L05AC,  $T_J = -40\text{ to }125\text{ }^\circ\text{C}$  for L79L05AB, unless otherwise specified.

**Table 14. Electrical characteristics of L79L12AB and L79L12AC**

Symbol	Parameter	Test conditions	Min.	Typ.	Max.	Unit
$V_O$	Output voltage	$T_J = 25^\circ\text{C}$	-11.5	-12	-12.5	V
$V_O$	Output voltage	$I_O = 1\text{ to }40\text{ mA}$ , $V_I = -14.5\text{ to }-27\text{ V}$	-11.4		-12.6	V
		$I_O = 1\text{ to }70\text{ mA}$ , $V_I = -19\text{ V}$	-11.4		-12.6	
$\Delta V_O$	Line regulation	$V_I = -14.5\text{ to }-27\text{ V}$ , $T_J = 25^\circ\text{C}$			250	mV
		$V_I = -16\text{ to }-27\text{ V}$ , $T_J = 25^\circ\text{C}$			200	
$\Delta V_O$	Load regulation	$I_O = 1\text{ to }100\text{ mA}$ , $T_J = 25^\circ\text{C}$			100	mV
		$I_O = 1\text{ to }40\text{ mA}$ , $T_J = 25^\circ\text{C}$			50	
$I_d$	Quiescent current	$T_J = 25^\circ\text{C}$			6.5	mA
		$T_J = 125^\circ\text{C}$			6	mA
$\Delta I_d$	Quiescent current change	$I_O = 1\text{ to }40\text{ mA}$			0.1	mA
		$V_I = -16\text{ to }-27\text{ V}$			1.5	
eN	Output noise voltage	$B = 10\text{Hz to }100\text{kHz}$ , $T_J = 25^\circ\text{C}$		80		$\mu\text{V}$
SVR	Supply voltage rejection	$V_I = -15\text{ to }-25\text{V}$ , $f = 120\text{Hz}$ $I_O = 40\text{ mA}$ , $T_J = 25^\circ\text{C}$	37	42		dB
$V_d$	Dropout voltage			1.7		V



Refer to the test circuits,  $V_I = -23\text{ V}$ ,  $I_O = 40\text{ mA}$ ,  $C_I = 0.33\text{ }\mu\text{F}$ ,  $C_O = 0.1\text{ }\mu\text{F}$ ,  $T_J = 0\text{ to }125\text{ }^\circ\text{C}$  for L79L05AC,  $T_J = -40\text{ to }125\text{ }^\circ\text{C}$  for L79L05AB, unless otherwise specified.

**Table 15. Electrical characteristics of L79L15AB and L79L15AC**

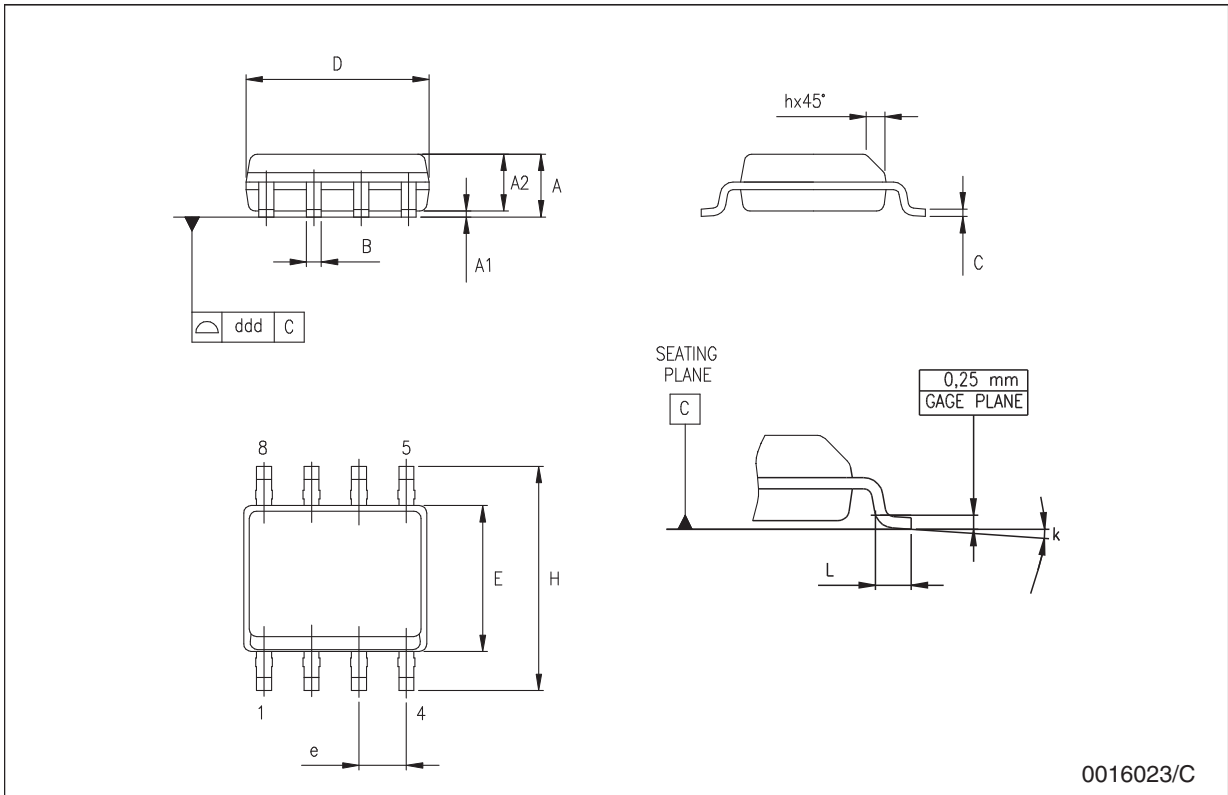
Symbol	Parameter	Test conditions	Min.	Typ.	Max.	Unit
$V_O$	Output voltage	$T_J = 25^\circ\text{C}$	-14.4	-15	-15.6	V
$V_O$	Output voltage	$I_O = 1\text{ to }40\text{ mA}$ , $V_I = -17.5\text{ to }-30\text{ V}$	-14.25		-15.75	V
		$I_O = 1\text{ to }70\text{ mA}$ , $V_I = -23\text{ V}$	-14.25		-15.75	
$\Delta V_O$	Line regulation	$V_I = -17.5\text{ to }-30\text{ V}$ , $T_J = 25^\circ\text{C}$			300	mV
		$V_I = -20\text{ to }-30\text{ V}$ , $T_J = 25^\circ\text{C}$			250	
$\Delta V_O$	Load regulation	$I_O = 1\text{ to }100\text{ mA}$ , $T_J = 25^\circ\text{C}$			150	mV
		$I_O = 1\text{ to }40\text{ mA}$ , $T_J = 25^\circ\text{C}$			75	
$I_d$	Quiescent current	$T_J = 25^\circ\text{C}$			6.5	mA
		$T_J = 125^\circ\text{C}$			6	mA
$\Delta I_d$	Quiescent current change	$I_O = 1\text{ to }40\text{ mA}$			0.1	mA
		$V_I = -20\text{ to }-30\text{ V}$			1.5	
eN	Output noise voltage	$B = 10\text{Hz to }100\text{kHz}$ , $T_J = 25^\circ\text{C}$		90		$\mu\text{V}$
SVR	Supply voltage rejection	$V_I = -18.5\text{ to }-28.5\text{ V}$ , $f = 120\text{Hz}$ $I_O = 40\text{ mA}$ , $T_J = 25^\circ\text{C}$	34	39		dB
$V_d$	Dropout voltage			1.7		V

## 5 Package mechanical data

In order to meet environmental requirements, ST offers these devices in different grades of ECOPACK<sup>®</sup> packages, depending on their level of environmental compliance. ECOPACK<sup>®</sup> specifications, grade definitions and product status are available at: [www.st.com](http://www.st.com). ECOPACK<sup>®</sup> is an ST trademark.

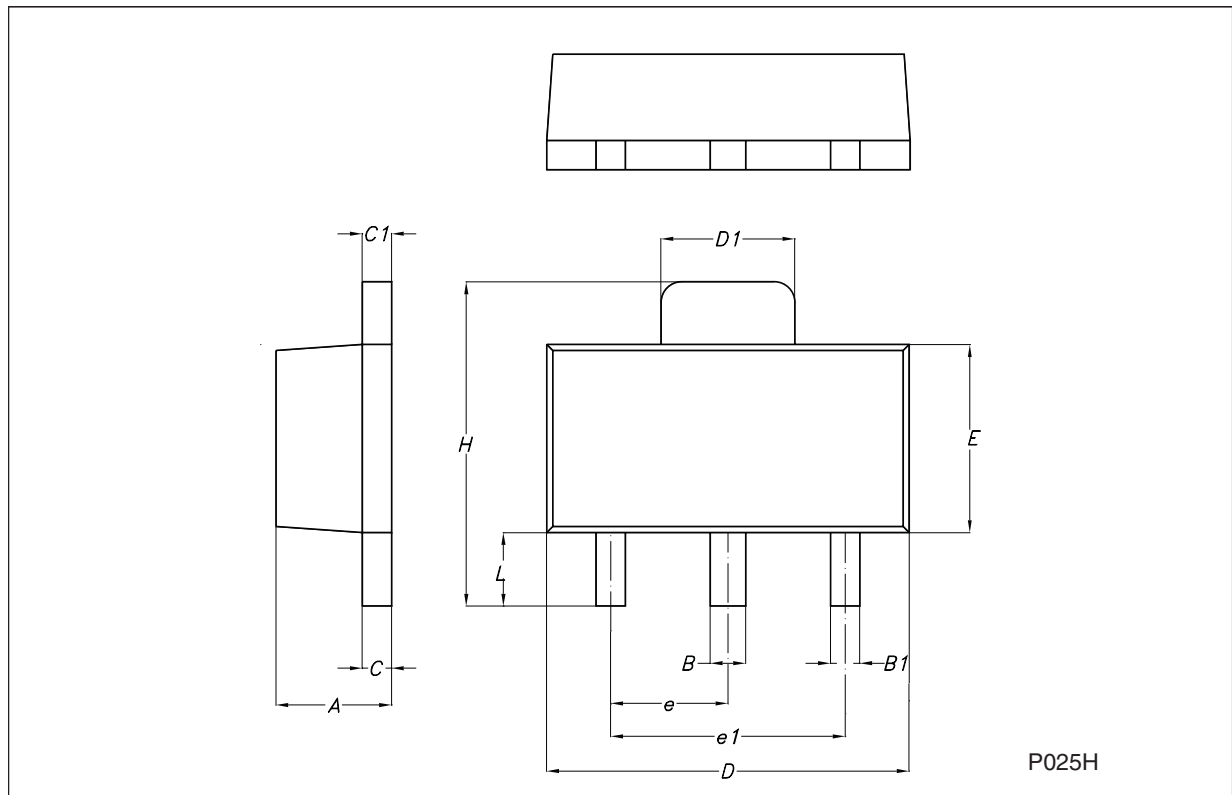
**SO-8 mechanical data**

Dim.	mm.			inch.		
	Min.	Typ.	Max.	Min.	Typ.	Max.
A	1.35		1.75	0.053		0.069
A1	0.10		0.25	0.04		0.010
A2	1.10		1.65	0.043		0.065
B	0.33		0.51	0.013		0.020
C	0.19		0.25	0.007		0.010
D	4.80		5.00	0.189		0.197
E	3.80		4.00	0.150		0.157
e		1.27			0.050	
H	5.80		6.20	0.228		0.244
h	0.25		0.50	0.010		0.020
L	0.40		1.27	0.016		0.050
k	8° (max.)					
ddd			0.1			0.04



**SOT-89 mechanical data**

Dim.	mm.			mils.		
	Min.	Typ.	Max.	Min.	Typ.	Max.
A	1.4		1.6	55.1		63.0
B	0.44		0.56	17.3		22.0
B1	0.36		0.48	14.2		18.9
C	0.35		0.44	13.8		17.3
C1	0.35		0.44	13.8		17.3
D	4.4		4.6	173.2		181.1
D1	1.62		1.83	63.8		72.0
E	2.29		2.6	90.2		102.4
e	1.42		1.57	55.9		61.8
e1	2.92		3.07	115.0		120.9
H	3.94		4.25	155.1		167.3
L	0.89		1.2	35.0		47.2



P025H



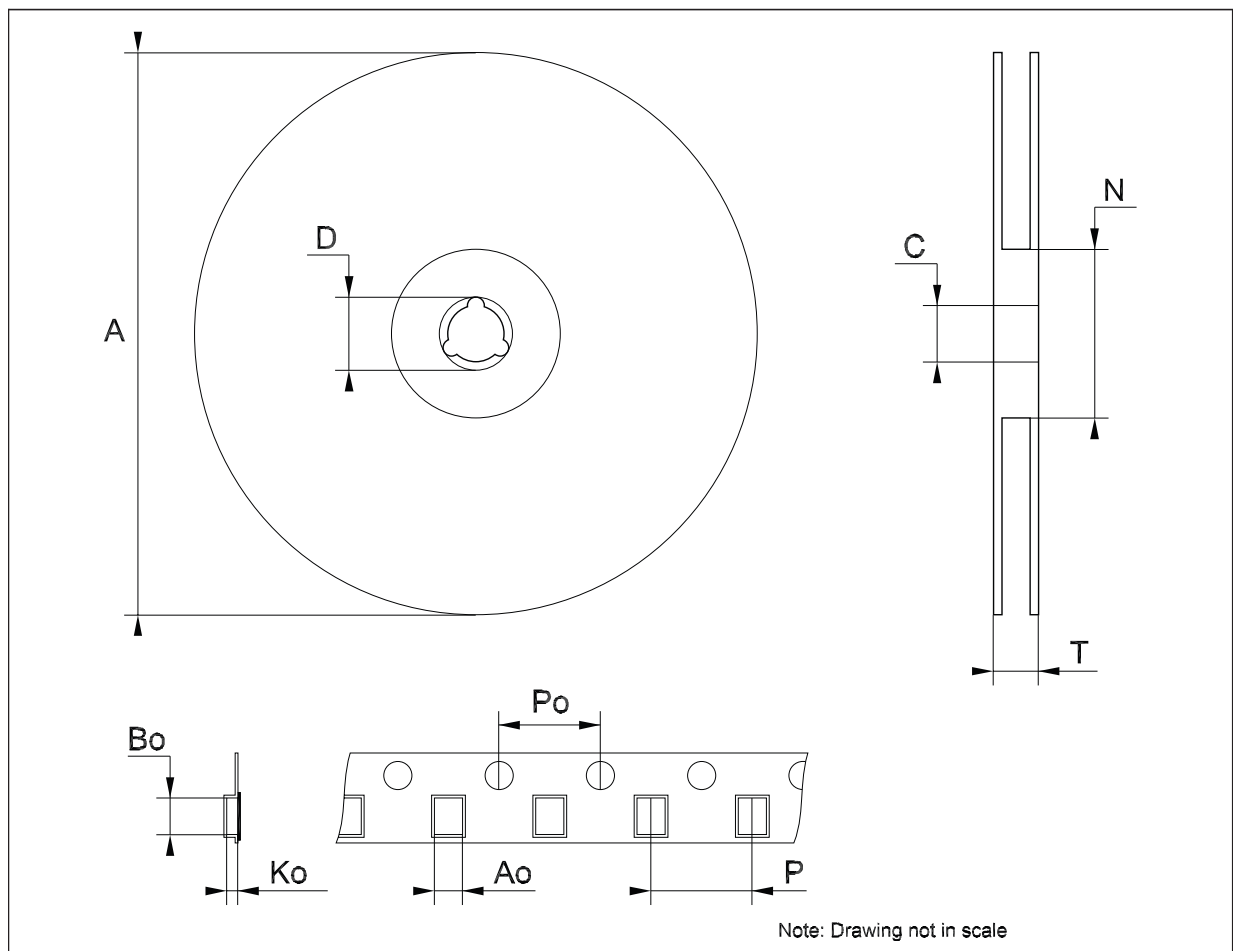
**Tape & reel SO-8 mechanical data**

Dim.	mm.			inch.		
	Min.	Typ.	Max.	Min.	Typ.	Max.
A			330			12.992
C	12.8		13.2	0.504		0.519
D	20.2			0.795		
N	60			2.362		
T			22.4			0.882
Ao	8.1		8.5	0.319		0.335
Bo	5.5		5.9	0.216		0.232
Ko	2.1		2.3	0.082		0.090
Po	3.9		4.1	0.153		0.161
P	7.9		8.1	0.311		0.319



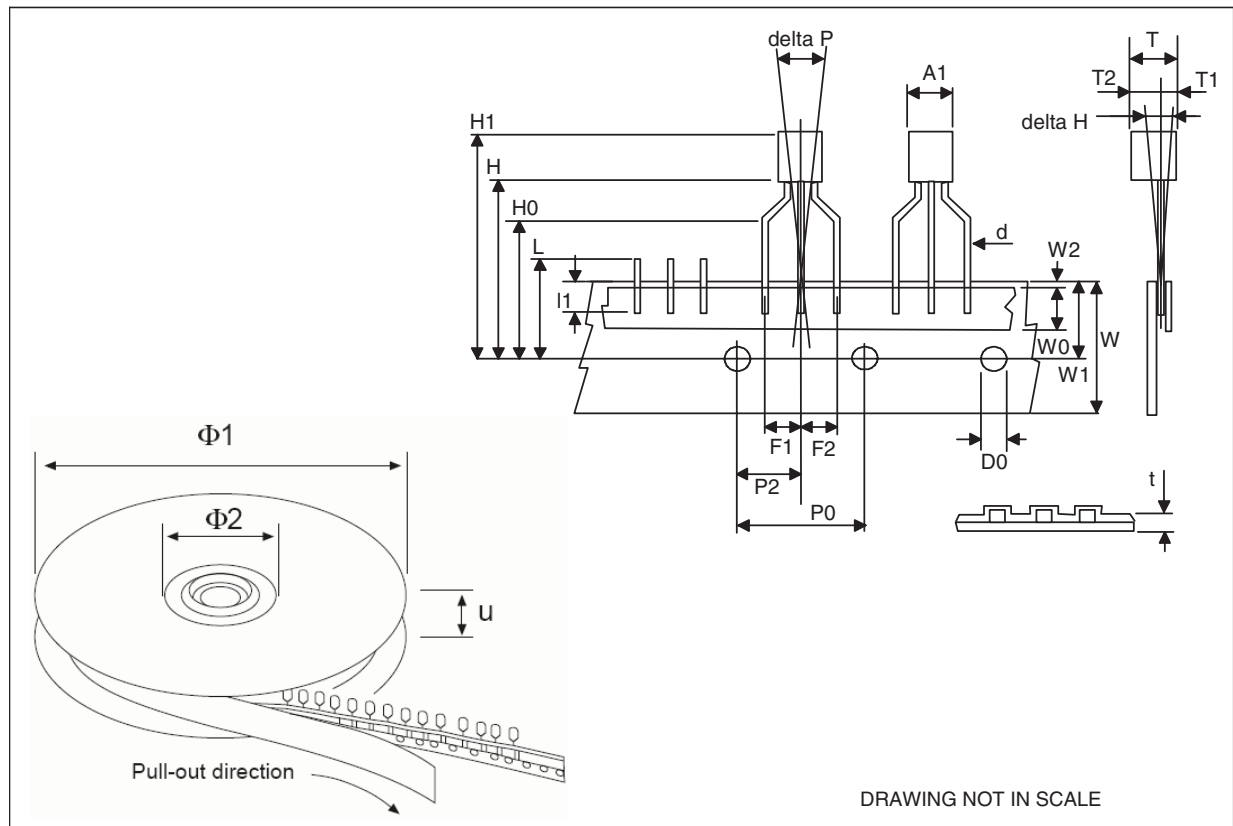
**Tape & reel SOT-89 mechanical data**

Dim.	mm.			inch.		
	Min.	Typ.	Max.	Min.	Typ.	Max.
A			180			7.086
C	12.8	13.0	13.2	0.504	0.512	0.519
D	20.2			0.795		
N	60			2.362		
T			14.4			0.567
Ao	4.70	4.80	4.90	0.185	0.189	0.193
Bo	4.30	4.40	4.50	0.169	0.173	0.177
Ko	1.70	1.80	1.90	0.067	0.071	0.075
Po	3.9	4.0	4.1	0.153	0.157	0.161
P	7.9	8.0	8.1	0.311	0.315	0.319



**Tape & reel for TO-92 mechanical data**

Dim.	mm.			inch.		
	Min.	Typ.	Max.	Min.	Typ.	Max.
A1		4.80			0.189	
T		3.80			0.150	
T1		1.60			0.063	
T2		2.30			0.091	
d		0.48			0.019	
P0	12.5		12.9	0.492		0.508
P2	5.65		7.05	0.222		0.278
F1, F2	2.44	2.54	2.94	0.096	0.100	0.116
delta H		±2			0.079	
W	17.5	18.00	19.0	0.689	0.709	0.748
W0	5.7		6.3	0.224		0.248
W1	8.5		9.25	0.335		0.364
W2		0.50			0.20	
H		18.50	18.70		0.728	0.726
H0	15.50		16.50	0.610		0.650
H1		25.00			0.984	
D0	3.8		4.2	0.150		0.165
t		0.90			0.035	
L1		3			0.118	
delta P		±1			0.039	
u		50			1.968	
Φ1		360			14.173	
Φ2		30			1.181	





## 6 Order codes

Table 16. Order codes

Packaging			Output voltage
SO-8	TO92 (BAG) <sup>(1)</sup>	SOT-89	
L79L05ACD13TR	L79L05ACZ	L79L05ACUTR	-5 V
L79L05ABD13TR	L79L05ABZ	L79L05ABUTR	-5 V
L79L06CD13TR <sup>(2)</sup>			-6 V
L79L06ACD13TR	L79L06ACZ		-6 V
L79L06ABD13TR <sup>(2)</sup>	L79L06ABZ	L79L06ABUTR	-6 V
L79L08CD13TR <sup>(2)</sup>			-8 V
L79L08ACD13TR	L79L08ACZ	L79L08ACUTR <sup>(2)</sup>	-8 V
L79L08ABD13TR <sup>(2)</sup>	L79L08ABZ <sup>(2)</sup>	L79L08ABUTR <sup>(2)</sup>	-8 V
L79L09CD13TR <sup>(2)</sup>			-9 V
L79L09ACD13TR <sup>(2)</sup>	L79L09ACZ	L79L09ACUTR	-9 V
L79L09ABD13TR <sup>(2)</sup>	L79L09ABZ <sup>(2)</sup>	L79L09ABUTR <sup>(2)</sup>	-9 V
L79L12CD13TR <sup>(2)</sup>			-12 V
L79L12ACD13TR	L79L12ACZ	L79L12ACUTR	-12 V
L79L12ABD13TR <sup>(2)</sup>	L79L12ABZ <sup>(2)</sup>	L79L12ABUTR <sup>(2)</sup>	-12 V
L79L15CD13TR <sup>(2)</sup>			-15 V
L79L15ACD13TR		L79L15ACUTR	-15 V
L79L15ABD13TR	L79L15ABZ <sup>(2)</sup>		-15 V

1. Available in Ammopak with the suffix "-AP" or in Tape & Reel with the suffix "TR". Please note that in these cases pins are shaped according to Tape & Reel specifications.
2. Available on request.

## 7 Revision history

**Table 17. Document revision history**

Date	Revision	Changes
14-Mar-2005	9	Add Tape & Reel for TO-92.
15-Mar-2005	10	Add note on Table 3.
23-Dec-2005	11	Mistake on ordering Table in Header.
12-Sep-2006	12	Order codes updated.
25-Jul-2007	13	Pin connection for SOT-89 updated on <a href="#">Figure 2</a> , add <a href="#">Table 1</a> in cover page.
04-Dec-2007	14	Modified: <a href="#">Table 16</a> .
14-Jul-2008	15	Modified: <a href="#">Table 16 on page 25</a> .
29-Jul-2009	16	Modified: <a href="#">Table 16 on page 25</a> .

**Please Read Carefully:**

Information in this document is provided solely in connection with ST products. STMicroelectronics NV and its subsidiaries ("ST") reserve the right to make changes, corrections, modifications or improvements, to this document, and the products and services described herein at any time, without notice.

All ST products are sold pursuant to ST's terms and conditions of sale.

Purchasers are solely responsible for the choice, selection and use of the ST products and services described herein, and ST assumes no liability whatsoever relating to the choice, selection or use of the ST products and services described herein.

No license, express or implied, by estoppel or otherwise, to any intellectual property rights is granted under this document. If any part of this document refers to any third party products or services it shall not be deemed a license grant by ST for the use of such third party products or services, or any intellectual property contained therein or considered as a warranty covering the use in any manner whatsoever of such third party products or services or any intellectual property contained therein.

**UNLESS OTHERWISE SET FORTH IN ST'S TERMS AND CONDITIONS OF SALE ST DISCLAIMS ANY EXPRESS OR IMPLIED WARRANTY WITH RESPECT TO THE USE AND/OR SALE OF ST PRODUCTS INCLUDING WITHOUT LIMITATION IMPLIED WARRANTIES OF MERCHANTABILITY, FITNESS FOR A PARTICULAR PURPOSE (AND THEIR EQUIVALENTS UNDER THE LAWS OF ANY JURISDICTION), OR INFRINGEMENT OF ANY PATENT, COPYRIGHT OR OTHER INTELLECTUAL PROPERTY RIGHT.**

**UNLESS EXPRESSLY APPROVED IN WRITING BY AN AUTHORIZED ST REPRESENTATIVE, ST PRODUCTS ARE NOT RECOMMENDED, AUTHORIZED OR WARRANTED FOR USE IN MILITARY, AIR CRAFT, SPACE, LIFE SAVING, OR LIFE SUSTAINING APPLICATIONS, NOR IN PRODUCTS OR SYSTEMS WHERE FAILURE OR MALFUNCTION MAY RESULT IN PERSONAL INJURY, DEATH, OR SEVERE PROPERTY OR ENVIRONMENTAL DAMAGE. ST PRODUCTS WHICH ARE NOT SPECIFIED AS "AUTOMOTIVE GRADE" MAY ONLY BE USED IN AUTOMOTIVE APPLICATIONS AT USER'S OWN RISK.**

Resale of ST products with provisions different from the statements and/or technical features set forth in this document shall immediately void any warranty granted by ST for the ST product or service described herein and shall not create or extend in any manner whatsoever, any liability of ST.

ST and the ST logo are trademarks or registered trademarks of ST in various countries.

Information in this document supersedes and replaces all information previously supplied.

The ST logo is a registered trademark of STMicroelectronics. All other names are the property of their respective owners.

© 2009 STMicroelectronics - All rights reserved

STMicroelectronics group of companies

Australia - Belgium - Brazil - Canada - China - Czech Republic - Finland - France - Germany - Hong Kong - India - Israel - Italy - Japan - Malaysia - Malta - Morocco - Philippines - Singapore - Spain - Sweden - Switzerland - United Kingdom - United States of America

[www.st.com](http://www.st.com)