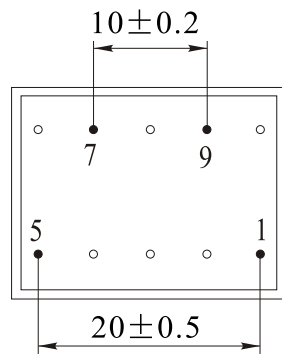
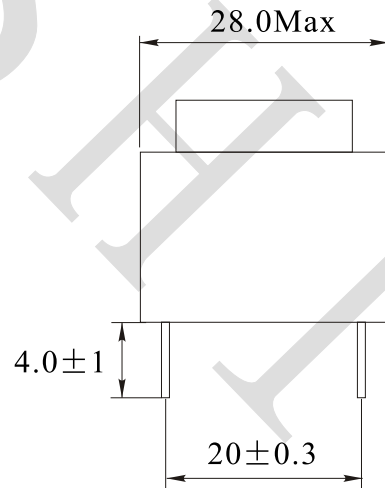
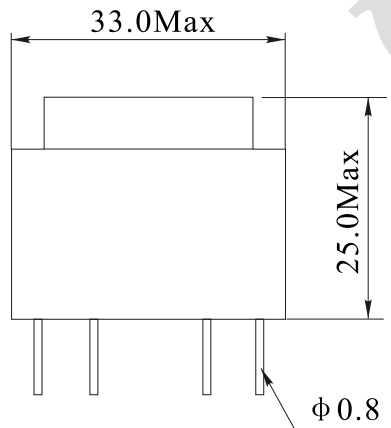
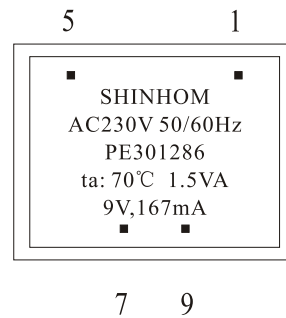


1. PHYSICAL CHARACTERISTICS (mm)



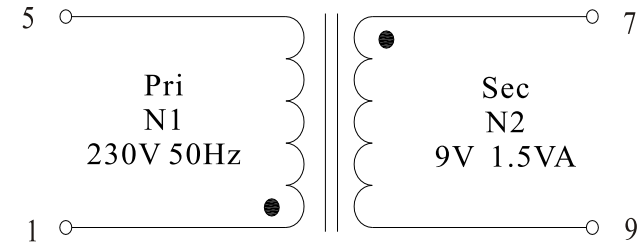
MARKING



NOTES:

Temp 20°C 48%RH
RoHS Compliant

2. ELECTRONICAL SCHEMATIC



3. ELECTRONICAL SPECIFICATIONS

Input voltage: 230V

Output voltage: 9V

Output current: 167mA@230V,50Hz

Hi-Pot: 3600V,50Hz,10mA,2S

Storage temperature: -20°C to +80°C

Operating temperature: -10°C to +70°C

Note:

1. Solderability: leads shall meet MIL-STD-202, Method 208D for solderability.

2. Flammability: UL94V-0

3. ASTM oxygen index: >28%

NAME:	Potting transformer(0244)		
CUSTOMER P/N:		DATE:	2022-09-08
SHINHOM P/N:	PE301286	REV: A0	PAGE
DRAWN BY	CHECKED BY	APPROVE BY	



SHINHOM
SHAANXISHINHOM ENTERPRISE CO LTD

The Document property belong to SHINHOM & is not allowed to be duplicated without authorization