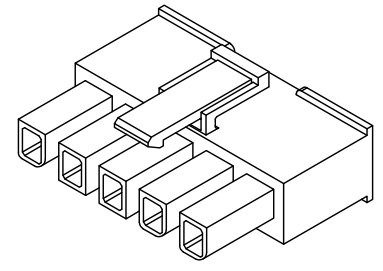
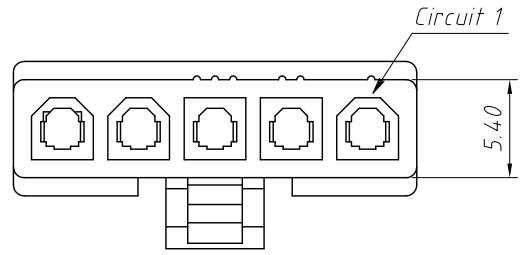


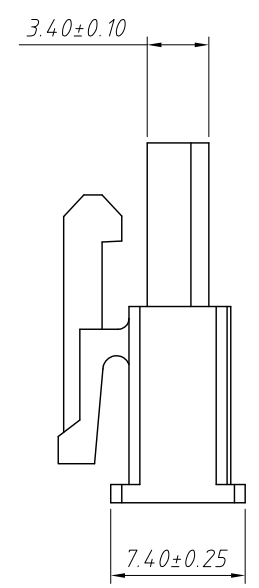
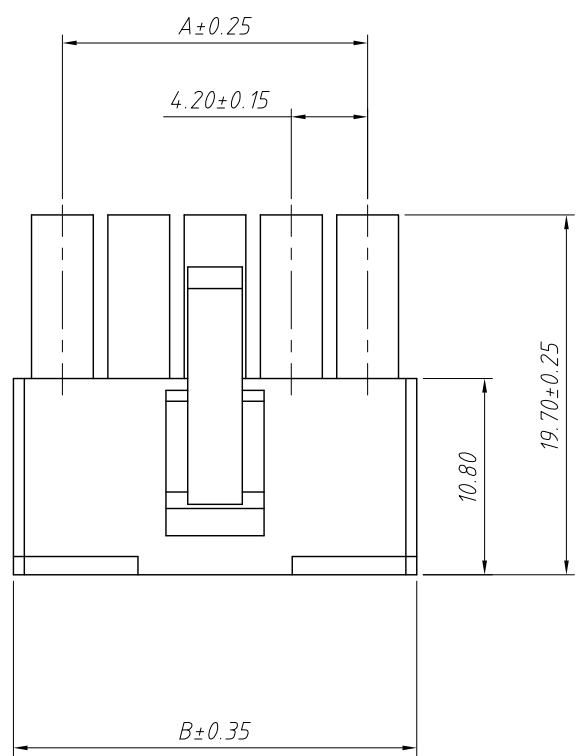
1  
RoHS Compliance



Pin	Dimensions(mm)	
	A	B
02	4.20	9.60
03	8.40	13.80
04	12.60	18.00
05	16.80	22.20
06	21.00	26.40

Material:  
Housing:PA66,UL 94 V-0/2

Electrical Characteristics:  
Rated Current:7.0A AC,DC  
Voltage rating:600V AC,DC  
Temperature range:-25°C ~ + 85°C  
Insulator Resistance:1000MΩ Min  
Withstanding Voltage:1500V AC/minute  
Contact Resistance:20mΩ Max



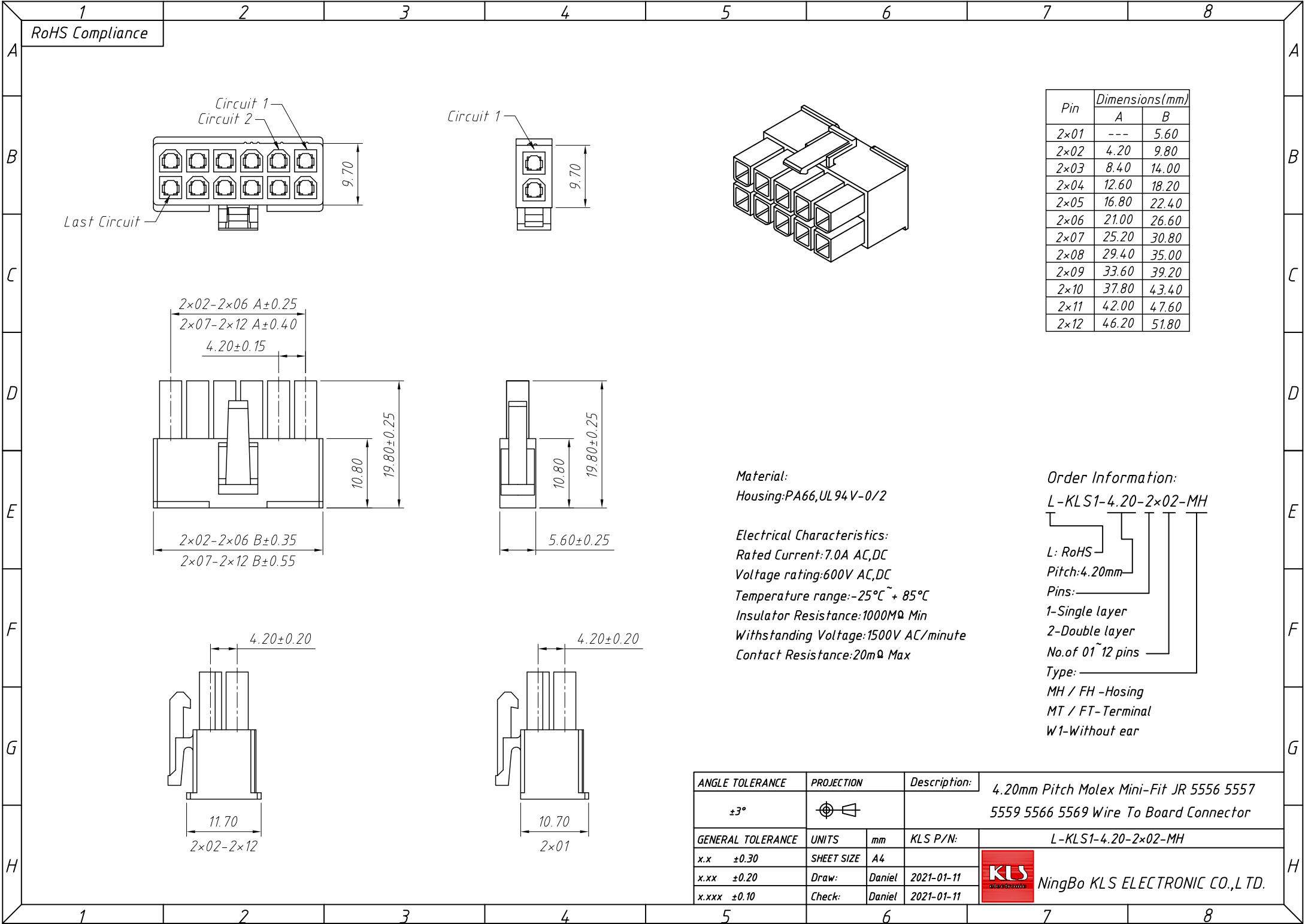
Order Information:  
L-KLS1-4.20-1x02-MH  
L: RoHS  
Pitch:4.20mm  
Pins:  
1-Single layer  
2-Double layer  
No.of 02~06 pins  
Type:  
MH / FH -Hosing  
MT / FT-Terminal  
W1-Without ear

ANGLE TOLERANCE	PROJECTION	Description:	4.20mm Pitch Molex Mini-Fit JR 5556 5557 5559 5566 5569 Wire To Board Connector
±3°			
GENERAL TOLERANCE	UNITS	mm	KLS P/N: L-KLS1-4.20-1x02-MH
x.x ±0.30	SHEET SIZE	A4	
x.xx ±0.20	Draw:	Daniel	2021-01-11
x.xxx ±0.10	Check:	Daniel	2021-01-11



NingBo KLS ELECTRONIC CO.,L TD.

1  
RoHS Compliance



Pin	Dimensions(mm)	
	A	B
2x01	---	5.60
2x02	4.20	9.80
2x03	8.40	14.00
2x04	12.60	18.20
2x05	16.80	22.40
2x06	21.00	26.60
2x07	25.20	30.80
2x08	29.40	35.00
2x09	33.60	39.20
2x10	37.80	43.40
2x11	42.00	47.60
2x12	46.20	51.80

Material:  
Housing:PA66,UL 94V-0/2

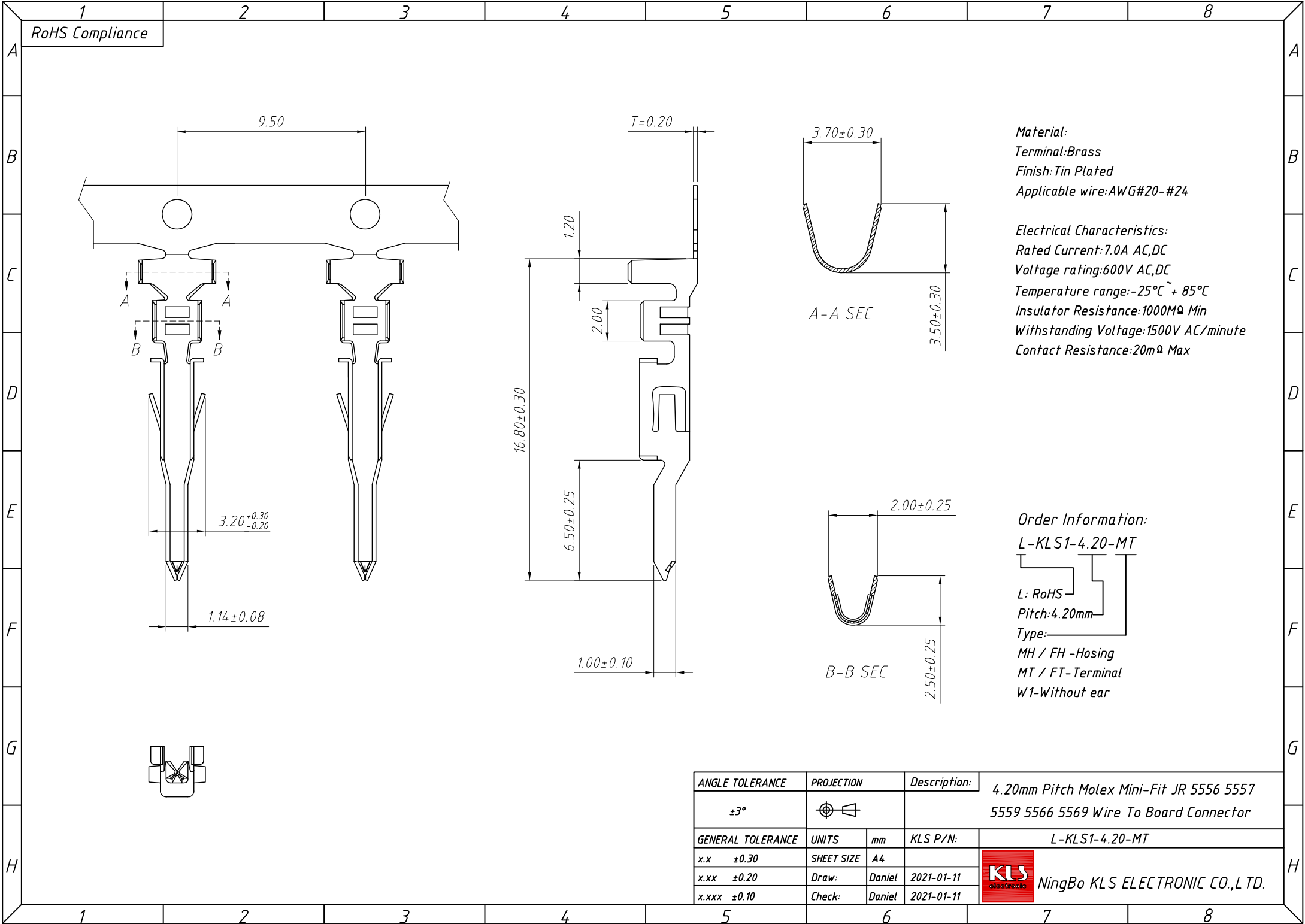
Electrical Characteristics:  
Rated Current:7.0A AC,DC  
Voltage rating:600V AC,DC  
Temperature range:-25°C ~ + 85°C  
Insulator Resistance:1000MΩ Min  
Withstanding Voltage:1500V AC/minute  
Contact Resistance:20mΩ Max

Order Information:  
L-KLS1-4.20-2x02-MH

L: RoHS  
Pitch:4.20mm  
Pins:  
1-Single layer  
2-Double layer  
No. of 01~12 pins  
Type:  
MH / FH -Hosing  
MT / FT-Terminal  
W1-Without ear

ANGLE TOLERANCE	PROJECTION	Description:	4.20mm Pitch Molex Mini-Fit JR 5556 5557 5559 5566 5569 Wire To Board Connector
±3°			
GENERAL TOLERANCE	UNITS	mm	KLS P/N: L-KLS1-4.20-2x02-MH
x.x ±0.30	SHEET SIZE	A4	NingBo KLS ELECTRONIC CO.,L TD.
x.xx ±0.20	Draw:	Daniel 2021-01-11	
x.xxx ±0.10	Check:	Daniel 2021-01-11	

1  
RoHS Compliance



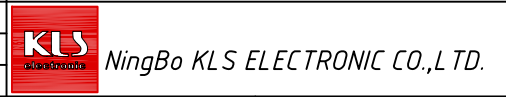
**Material:**  
Terminal: Brass  
Finish: Tin Plated  
Applicable wire: AWG#20-#24

**Electrical Characteristics:**  
Rated Current: 7.0A AC,DC  
Voltage rating: 600V AC,DC  
Temperature range: -25°C ~ +85°C  
Insulator Resistance: 1000M $\Omega$  Min  
Withstanding Voltage: 1500V AC/minute  
Contact Resistance: 20m $\Omega$  Max

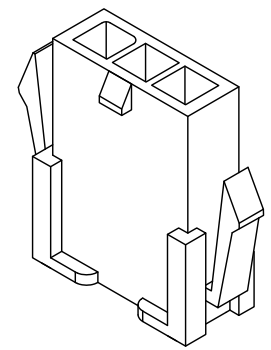
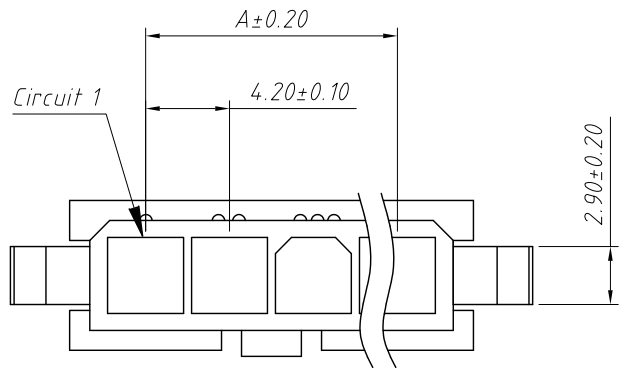
**Order Information:**  
L-KLS1-4.20-MT

L: RoHS  
Pitch: 4.20mm  
Type: MH / FH -Hosing  
MT / FT-Terminal  
W1-Without ear

ANGLE TOLERANCE	PROJECTION	Description:	4.20mm Pitch Molex Mini-Fit JR 5556 5557 5559 5566 5569 Wire To Board Connector
$\pm 3^\circ$			
GENERAL TOLERANCE	UNITS	mm	KLS P/N: L-KLS1-4.20-MT
x.x $\pm 0.30$	SHEET SIZE	A4	
x.xx $\pm 0.20$	Draw:	Daniel	2021-01-11
x.xxx $\pm 0.10$	Check:	Daniel	2021-01-11



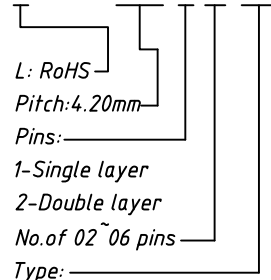
1  
RoHS Compliance

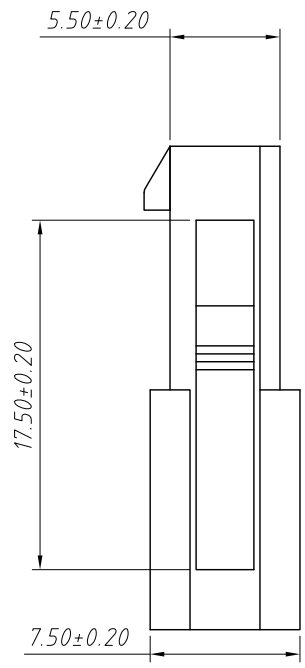
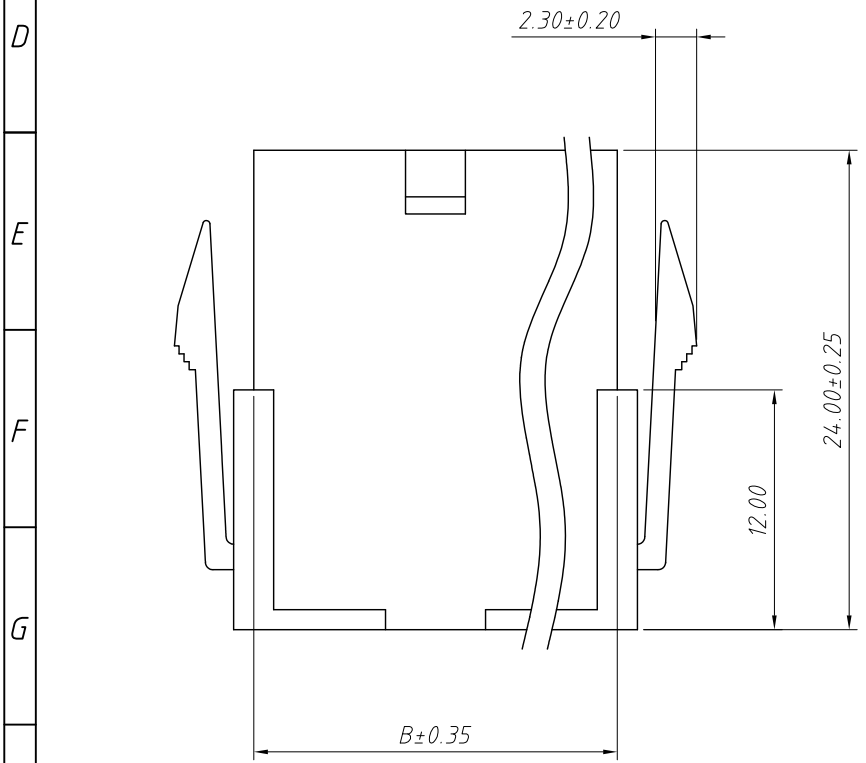


Pin	Dimensions(mm)	
	A	B
02	4.20	9.80
03	8.40	14.00
04	12.60	18.20
05	16.80	22.40
06	21.00	26.60

Material:  
Housing:PA66,UL 94 V-0/2

Electrical Characteristics:  
Rated Current:7.0A AC,DC  
Voltage rating:600V AC,DC  
Temperature range:-25°C ~ + 85°C  
Insulator Resistance:1000MΩ Min  
Withstanding Voltage:1500V AC/minute  
Contact Resistance:20mΩ Max

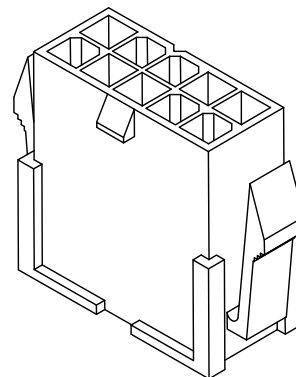
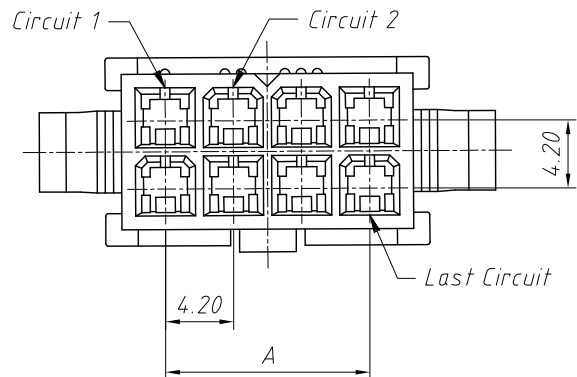
Order Information:  
L-KLS1-4.20-1x02-FH  
  
 L: RoHS  
 Pitch:4.20mm  
 Pins:  
 1-Single layer  
 2-Double layer  
 No.of 02~06 pins  
 Type:  
 MH / FH -Hosing  
 MT / FT-Terminal  
 W1-Without ear



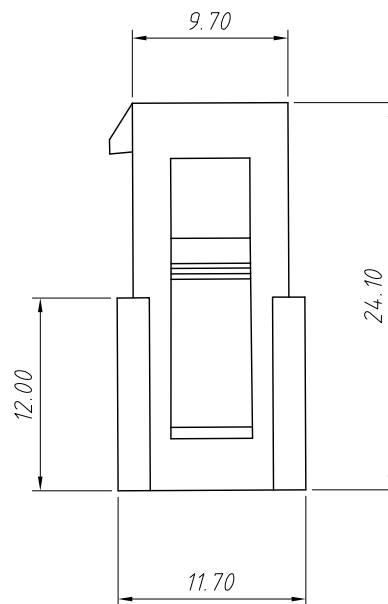
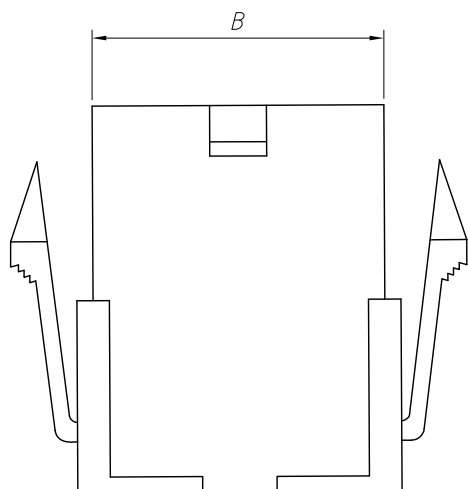
ANGLE TOLERANCE	PROJECTION	Description:	4.20mm Pitch Molex Mini-Fit JR 5556 5557 5559 5566 5569 Wire To Board Connector
±3°			
GENERAL TOLERANCE	UNITS	mm	KLS P/N: L-KLS1-4.20-1x02-FH
x.x ±0.30	SHEET SIZE	A4	
x.xx ±0.20	Draw:	Daniel	2021-01-11
x.xxx ±0.10	Check:	Daniel	2021-01-11



1 RoHS Compliance



Pin	Dimensions(mm)	
	A	B
2×01	---	5.60
2×02	4.20	9.80
2×03	8.40	14.00
2×04	12.60	18.20
2×05	16.80	22.40
2×06	21.00	26.60
2×07	25.20	30.80
2×08	29.40	35.00
2×09	33.60	39.20
2×10	37.80	43.40
2×11	42.00	47.60
2×12	46.20	51.80



Material:

Housing:PA66,UL 94V-0/2

Electrical Characteristics:

Rated Current:7.0A AC,DC

Voltage rating:600V AC,DC

Temperature range:-25°C ~ + 85°C

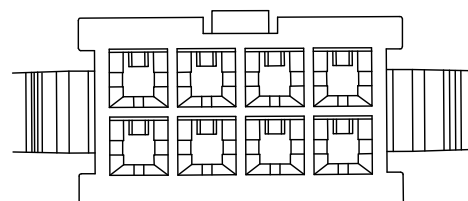
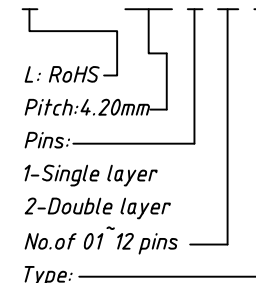
Insulator Resistance:1000M $\Omega$  Min

Withstanding Voltage:1500V AC/minute

Contact Resistance:20m $\Omega$  Max

Order Information:

L-KLS1-4.20-2×02-FH

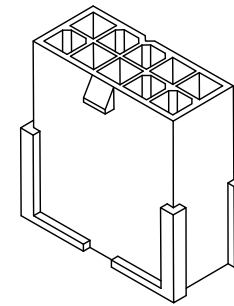
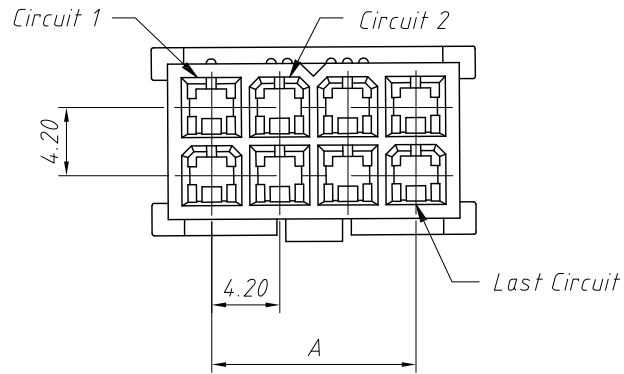


ANGLE TOLERANCE	PROJECTION	Description:
$\pm 3^\circ$		4.20mm Pitch Molex Mini-Fit JR 5556 5557 5559 5566 5569 Wire To Board Connector
GENERAL TOLERANCE	UNITS	mm
x.x $\pm 0.30$	SHEET SIZE	A4
x.xx $\pm 0.20$	Draw:	Daniel 2021-01-11
x.xxx $\pm 0.10$	Check:	Daniel 2021-01-11

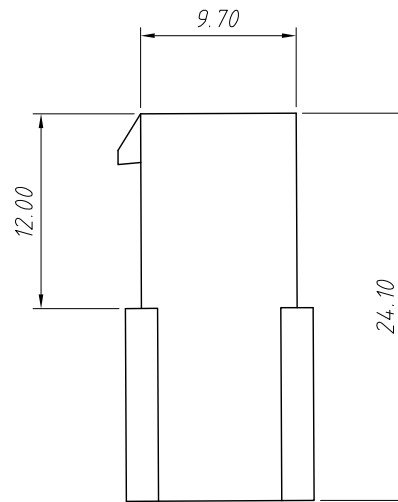
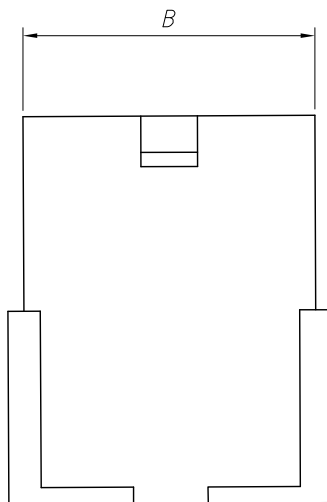


NingBo KLS ELECTRONIC CO.,L TD.

1 RoHS Compliance



Pin	Dimensions(mm)	
	A	B
2×01	---	5.60
2×02	4.20	9.80
2×03	8.40	14.00
2×04	12.60	18.20
2×05	16.80	22.40
2×06	21.00	26.60
2×07	25.20	30.80
2×08	29.40	35.00
2×09	33.60	39.20
2×10	37.80	43.40
2×11	42.00	47.60
2×12	46.20	51.80

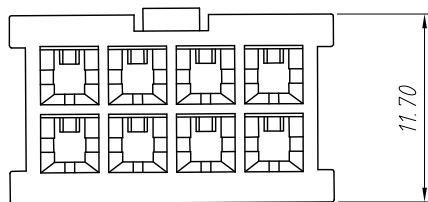


Material:  
Housing:PA66,UL 94V-0/2

Electrical Characteristics:  
Rated Current:7.0A AC,DC  
Voltage rating:600V AC,DC  
Temperature range:-25°C ~ + 85°C  
Insulator Resistance:1000M $\Omega$  Min  
Withstanding Voltage:1500V AC/minute  
Contact Resistance:20m $\Omega$  Max

Order Information:  
L-KLS1-4.20-2×02-W1

L: RoHS  
Pitch:4.20mm  
Pins:  
1-Single layer  
2-Double layer  
No.of 01~12 pins  
Type:  
MH / FH -Hosing  
MT / FT-Terminal  
W1-Without ear

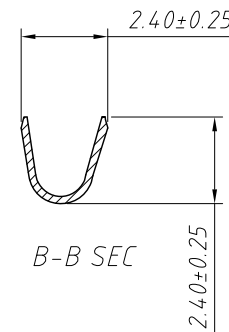
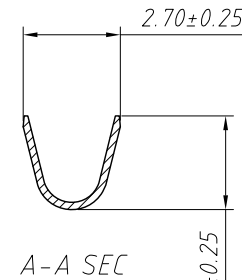
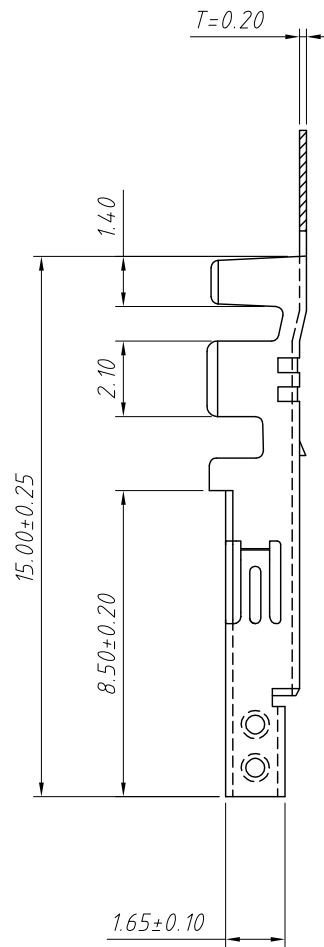
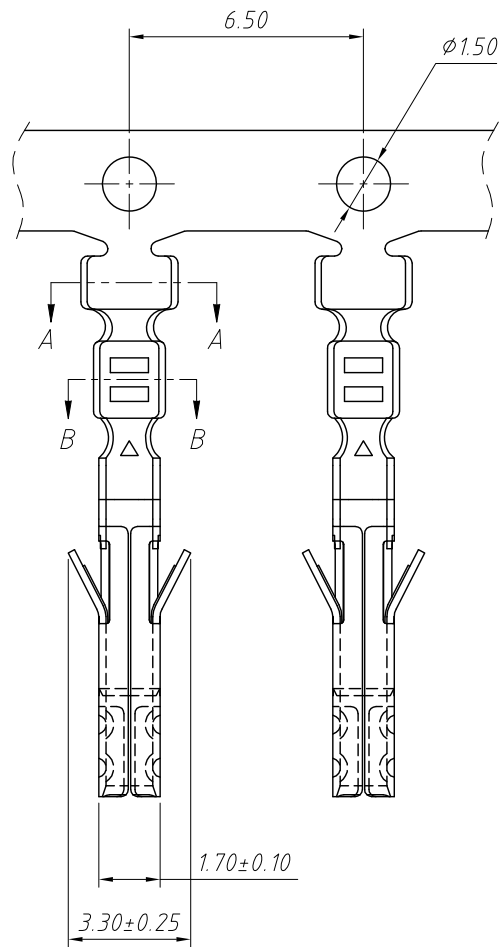


ANGLE TOLERANCE	PROJECTION	Description:	4.20mm Pitch Molex Mini-Fit JR 5556 5557 5559 5566 5569 Wire To Board Connector
$\pm 3^\circ$			
GENERAL TOLERANCE	UNITS	mm	KLS P/N: L-KLS1-4.20-2×02-W1
x.x $\pm 0.30$	SHEET SIZE	A4	
x.xx $\pm 0.20$	Draw:	Daniel	2021-01-11
x.xxx $\pm 0.10$	Check:	Daniel	2021-01-11



NingBo KLS ELECTRONIC CO.,L TD.

1 RoHS Compliance



**Material:**  
 Terminal: Brass or Phosphor Borecorded  
 Finish: Tin Plated  
 Applicable wire: AWG#20-#24

**Electrical Characteristics:**  
 Rated Current: 7.0A AC,DC  
 Voltage rating: 600V AC,DC  
 Temperature range:  $-25^{\circ}\text{C} \sim +85^{\circ}\text{C}$   
 Insulator Resistance:  $1000\text{M}\Omega$  Min  
 Withstanding Voltage: 1500V AC/minute  
 Contact Resistance:  $20\text{m}\Omega$  Max

**Order Information:**

L-KLS1-4.20-FT

L: RoHS

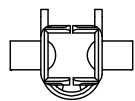
Pitch: 4.20mm

Type:

MH / FH -Hosing

MT / FT -Terminal

W1-Without ear

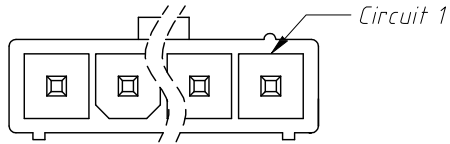


ANGLE TOLERANCE	PROJECTION	Description:	4.20mm Pitch Molex Mini-Fit JR 5556 5557 5559 5566 5569 Wire To Board Connector
$\pm 3^{\circ}$			
GENERAL TOLERANCE	UNITS	mm	KLS P/N: L-KLS1-4.20-FT
x.x $\pm 0.30$	SHEET SIZE	A4	
x.xx $\pm 0.20$	Draw:	Daniel	2021-01-11
x.xxx $\pm 0.10$	Check:	Daniel	2021-01-11



NingBo KLS ELECTRONIC CO.,L TD.

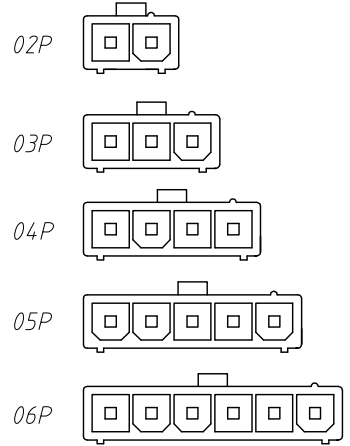
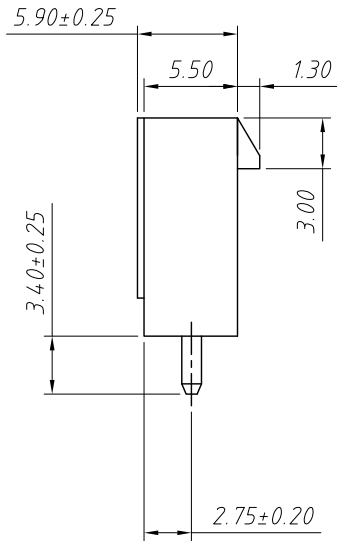
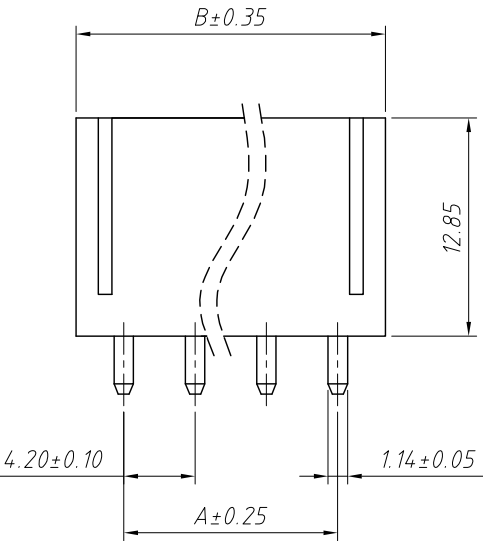
1  
RoHS Compliance



Pin	Dimensions(mm)	
	A	B
02	4.20	9.60
03	8.40	13.80
04	12.60	18.00
05	16.80	22.20
06	21.00	26.40

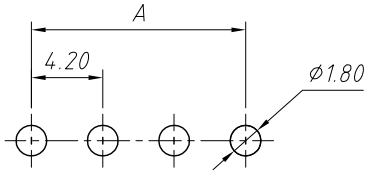
Material:  
Housing:PA66,UL 94V-0/2  
Contacts:Brass  
Finish: Tin-plated or Gold-flash

Electrical Characteristics:  
Rated Current:7.0A AC,DC  
Voltage rating:600V AC,DC  
Temperature range:-25°C ~ + 85°C  
Insulator Resistance:1000MΩ Min  
Withstanding Voltage:1500V AC/minute  
Contact Resistance:20mΩ Max

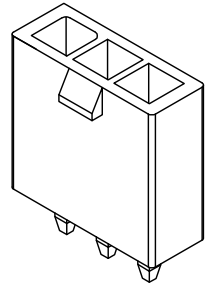


Circuit Size Layout

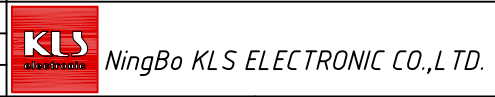
Order Information:  
L-KLS1-4.20-1x02-S  
L: RoHS  
Pitch:4.20mm  
Pins:  
1-Single layer  
2-Double layer  
No. of 02~06 pins  
Type:  
S / SW / SB-Straight male pin  
R / RW / RB-Right angle male pin



Recommended P.C.B Layout

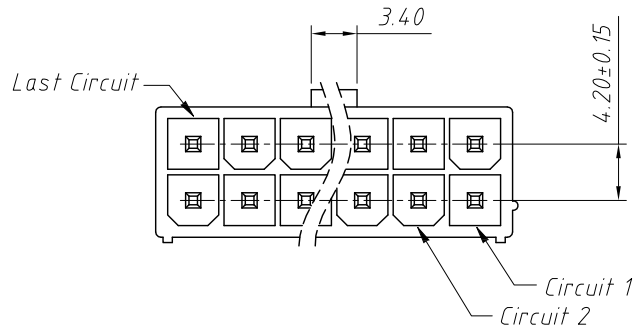


ANGLE TOLERANCE	PROJECTION	Description:	4.20mm Pitch Molex Mini-Fit JR 5556 5557 5559 5566 5569 Wire To Board Connector
±3°			
GENERAL TOLERANCE	UNITS	mm	KLS P/N: L-KLS1-4.20-1x02-S
x.x ±0.30	SHEET SIZE	A4	
x.xx ±0.20	Draw:	Daniel	2021-01-11
x.xxx ±0.10	Check:	Daniel	2021-01-11





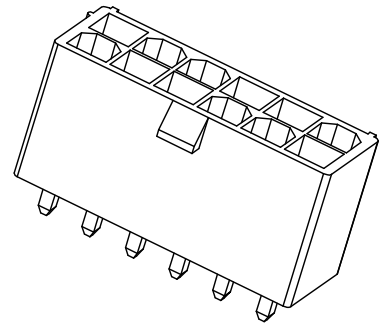
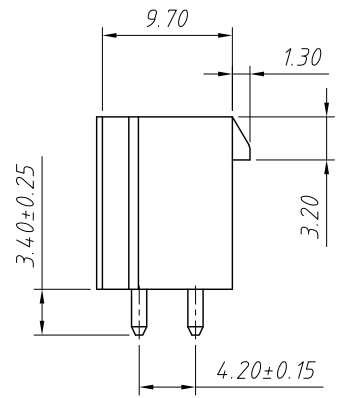
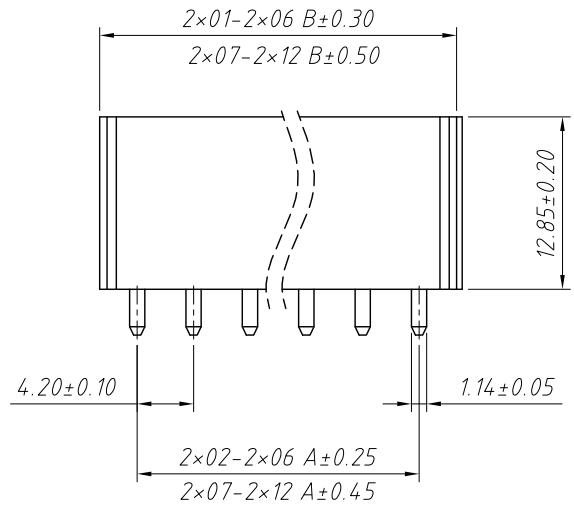
1  
RoHS Compliance



Pin	Dimensions(mm)	
	A	B
2×01	---	5.60
2×02	4.20	9.80
2×03	8.40	14.00
2×04	12.60	18.20
2×05	16.80	22.40
2×06	21.00	26.60
2×07	25.20	30.80
2×08	29.40	35.00
2×09	33.60	39.20
2×10	37.80	43.40
2×11	42.00	47.60
2×12	46.20	51.80

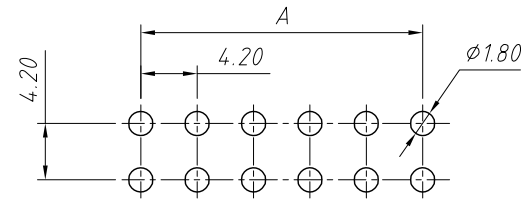
**Material:**  
 Housing:PA66,UL 94V-0/2  
 Contacts:Brass  
 Finish:Tin-plated or Gold-flash

**Electrical Characteristics:**  
 Rated Current:7.0A AC,DC  
 Voltage rating:600V AC,DC  
 Temperature range:-25°C ~ +85°C  
 Insulator Resistance:1000MΩ Min  
 Withstanding Voltage:1500V AC/minute  
 Contact Resistance:20mΩ Max



**Order Information:**  
 L-KLS1-4.20-2×02-S

L: RoHS  
 Pitch:4.20mm  
 Pins:  
 1-Single layer  
 2-Double layer  
 No.of 01~12 pins  
 Type:  
 S / SW / SB-Straight male pin  
 R / RW / RB-Right angle male pin



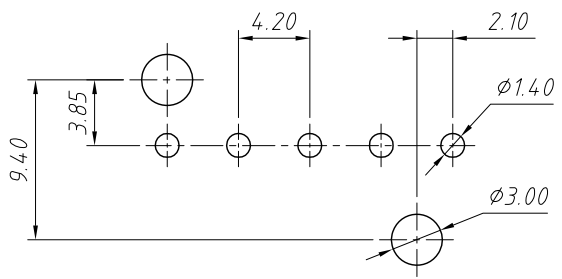
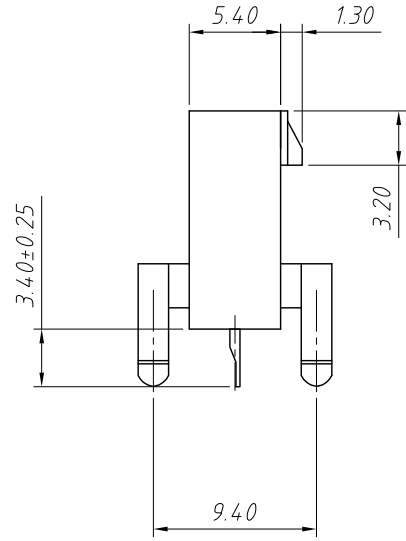
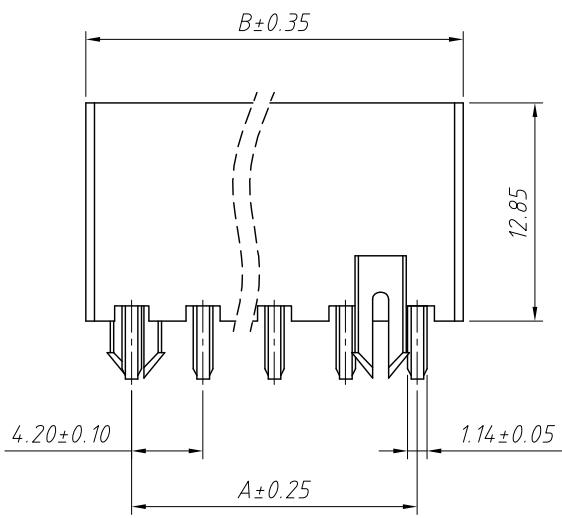
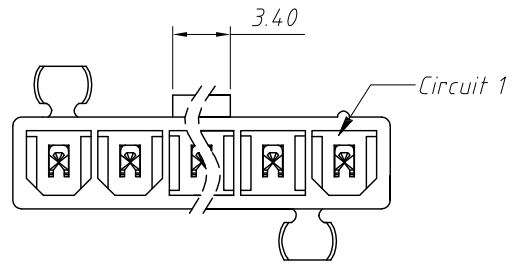
Recommended P.C.B Layout

ANGLE TOLERANCE	PROJECTION	Description:
±3°		4.20mm Pitch Molex Mini-Fit JR 5556 5557 5559 5566 5569 Wire To Board Connector
GENERAL TOLERANCE	UNITS	mm
x.x ±0.30	SHEET SIZE	A4
x.xx ±0.20	Draw:	Daniel 2021-01-11
x.xxx ±0.10	Check:	Daniel 2021-01-11

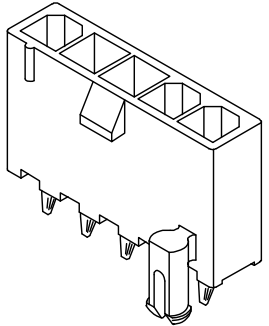
L-KLS1-4.20-2×02-S

NingBo KLS ELECTRONIC CO.,LTD.

1  
RoHS Compliance



Recommended P.C.B Layout



Material:  
Housing:PA66,UL 94 V-0/2  
Contacts:Brass  
Finish:Tin-plated or Gold-flash

Electrical Characteristics:  
Rated Current:7.0A AC,DC  
Voltage rating:600V AC,DC  
Temperature range:-25°C ~ + 85°C  
Insulator Resistance:1000MΩ Min  
Withstanding Voltage:1500V AC/minute  
Contact Resistance:20mΩ Max

Pin	Dimensions(mm)	
	A	B
03	8.40	13.80
04	12.60	18.00
05	16.80	22.20
06	21.00	26.40

Order Information:  
L-KLS1-4.20-1x02-SW

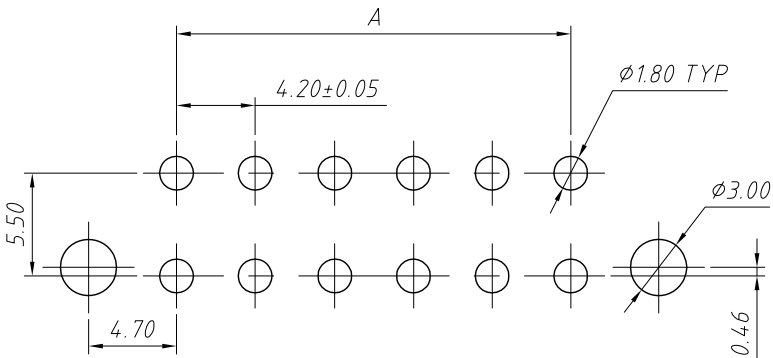
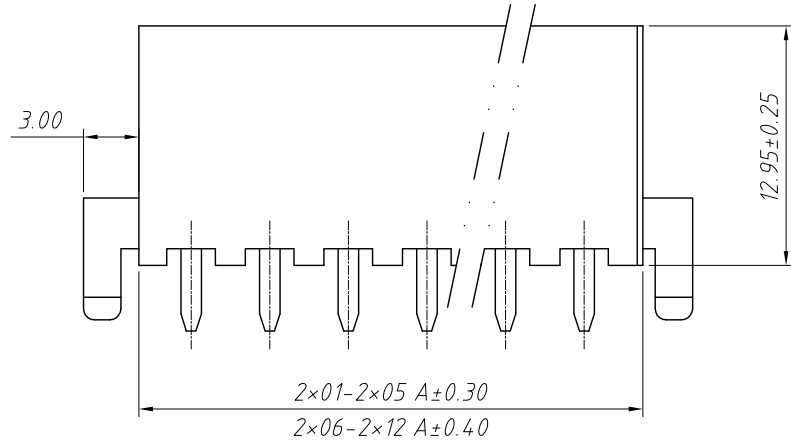
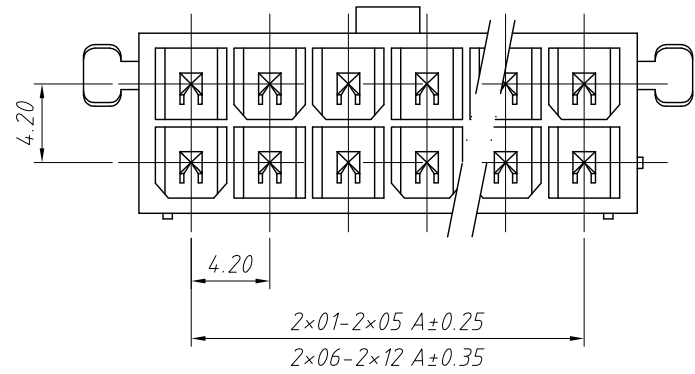
L: RoHS  
Pitch:4.20mm  
Pins:  
1-Single layer  
2-Double layer  
No. of 02~06 pins  
Type:  
S / SW / SB-Straight male pin  
R / RW / RB-Right angle male pin

ANGLE TOLERANCE	PROJECTION	Description:	4.20mm Pitch Molex Mini-Fit JR 5556 5557 5559 5566 5569 Wire To Board Connector
±3°			
GENERAL TOLERANCE	UNITS	mm	KLS P/N: L-KLS1-4.20-1x02-SW
x.x ±0.30	SHEET SIZE	A4	
x.xx ±0.20	Draw:	Daniel	2021-01-11
x.xxx ±0.10	Check:	Daniel	2021-01-11

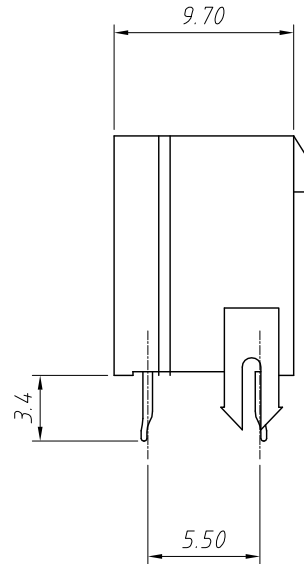


NingBo KLS ELECTRONIC CO.,L TD.

RoHS Compliance



Recommended P.C.B Layout



Pin	Dimensions(mm)	
	A	B
2x01	---	5.60
2x02	4.20	9.80
2x03	8.40	14.00
2x04	12.60	18.20
2x05	16.80	22.40
2x06	21.00	26.60
2x07	25.20	30.80
2x08	29.40	35.00
2x09	33.60	39.20
2x10	37.80	43.40
2x11	42.00	47.60
2x12	46.20	51.80

**Material:**

Housing:PA66,UL 94 V-2

Contacts:Brass

Finish: Tin-plated or Nickel

**Electrical Characteristics:**

Rated Current:9.0A AC,DC

Voltage rating:600V AC,DC

Temperature range:-25°C ~ + 85°C

Insulator Resistance:1000MΩ Min

Withstanding Voltage:1500V AC/minute

Contact Resistance:10mΩ Max

**Order Information:**

L-KLS1-4.20-2x02-SW

L: RoHS

Pitch:4.20mm

Pins:

1-Single layer

2-Double layer

No.of 01~12 pins

Type:

S / SW / SB-Straight male pin

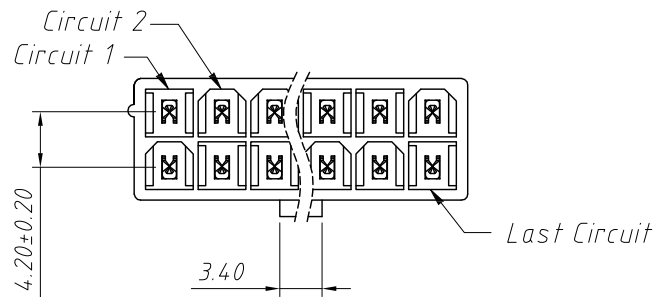
R / RW / RB-Right angle male pin

ANGLE TOLERANCE	PROJECTION	Description:
±3°		4.20mm Pitch Molex Mini-Fit JR 5556 5557 5559 5566 5569 Wire To Board Connector
GENERAL TOLERANCE	UNITS	mm
x.x ±0.30	SHEET SIZE	A4
x.xx ±0.20	Draw:	Daniel 2021-01-11
x.xxx ±0.10	Check:	Daniel 2021-01-11



NingBo KLS ELECTRONIC CO.,L TD.

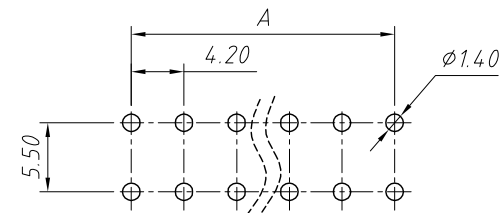
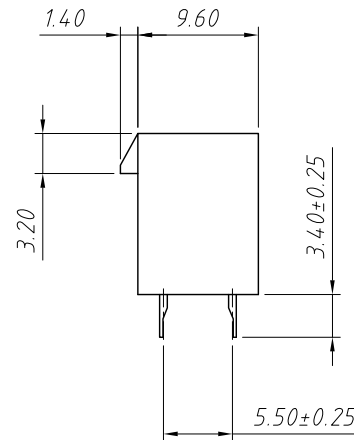
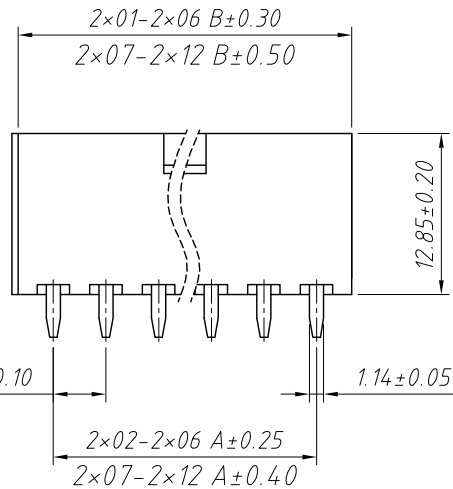
1 RoHS Compliance



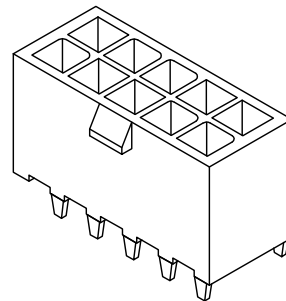
Pin	Dimensions(mm)	
	A	B
2×01	---	5.60
2×02	4.20	9.80
2×03	8.40	14.00
2×04	12.60	18.20
2×05	16.80	22.40
2×06	21.00	26.60
2×07	25.20	30.80
2×08	29.40	35.00
2×09	33.60	39.20
2×10	37.80	43.40
2×11	42.00	47.60
2×12	46.20	51.80

Material:  
Housing:PA66,UL 94 V-0/2  
Contacts:Brass  
Finish: Tin-plated or Gold-flash

Electrical Characteristics:  
Rated Current:7.0A AC,DC  
Voltage rating:600V AC,DC  
Temperature range:-25°C ~ +85°C  
Insulator Resistance:1000MΩ Min  
Withstanding Voltage:1500V AC/minute  
Contact Resistance:20mΩ Max



Recommended P.C.B Layout



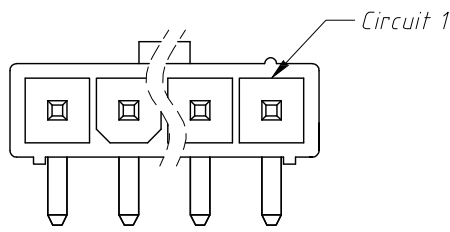
Order Information:  
L-KLS1-4.20-2×02-SB  
L: RoHS  
Pitch:4.20mm  
Pins:  
1-Single layer  
2-Double layer  
No.of 01~12 pins  
Type:  
S / SW / SB-Straight male pin  
R / RW / RB-Right angle male pin

ANGLE TOLERANCE	PROJECTION	Description:	4.20mm Pitch Molex Mini-Fit JR 5556 5557 5559 5566 5569 Wire To Board Connector
±3°			
GENERAL TOLERANCE	UNITS	mm	KLS P/N: L-KLS1-4.20-2×02-SB
x.x ±0.30	SHEET SIZE	A4	
x.xx ±0.20	Draw:	Daniel	2021-01-11
x.xxx ±0.10	Check:	Daniel	2021-01-11



NingBo KLS ELECTRONIC CO.,L TD.

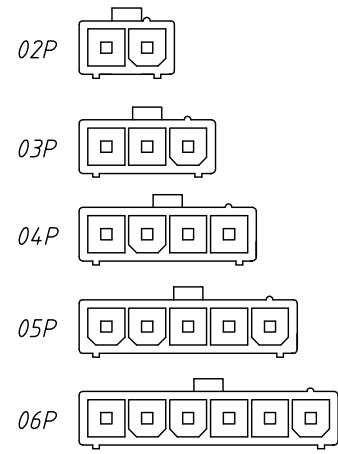
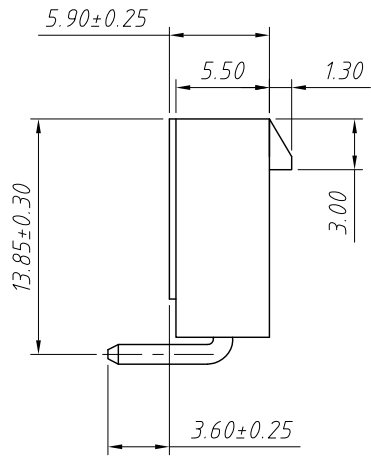
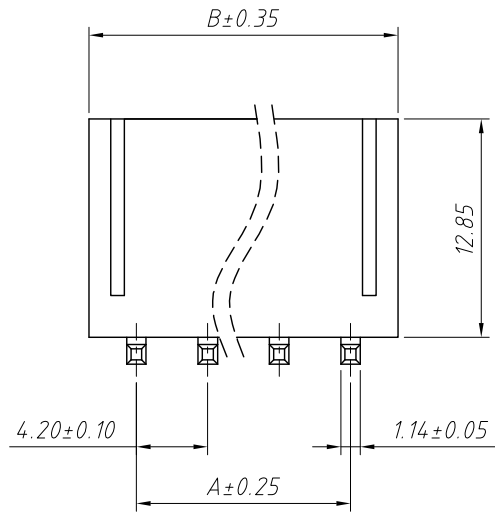
1  
RoHS Compliance



Pin	Dimensions(mm)	
	A	B
02	4.20	9.80
03	8.40	14.00
04	12.60	18.20
05	16.80	22.40
06	21.00	26.60

**Material:**  
 Housing:PA66,UL 94 V-0/2  
 Contacts:Brass  
 Finish:Tin-plated or Gold-flash

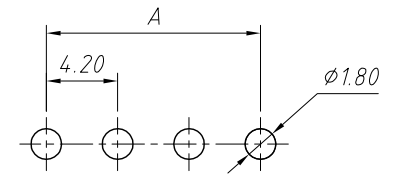
**Electrical Characteristics:**  
 Rated Current:7.0A AC,DC  
 Voltage rating:600V AC,DC  
 Temperature range:-25°C ~ + 85°C  
 Insulator Resistance:1000MΩ Min  
 Withstanding Voltage:1500V AC/minute  
 Contact Resistance:20mΩ Max



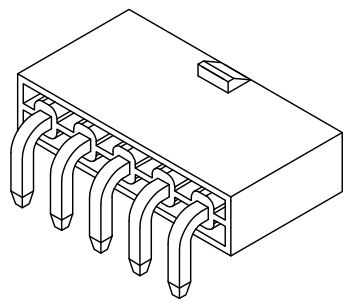
Circuit Size Layout

**Order Information:**  
 L-KLS1-4.20-1x02-R

L: RoHS  
 Pitch:4.20mm  
 Pins:  
 1-Single layer  
 2-Double layer  
 No.of 02~06 pins  
 Type:  
 S / SW / SB-Straight male pin  
 R / RW / RB-Right angle male pin



Recommended P.C.B Layout

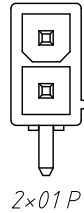
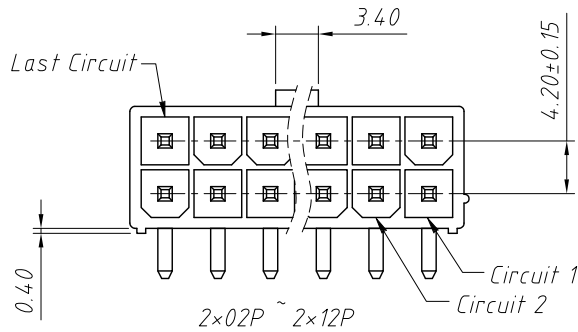


ANGLE TOLERANCE	PROJECTION	Description:	4.20mm Pitch Molex Mini-Fit JR 5556 5557 5559 5566 5569 Wire To Board Connector
±3°			
GENERAL TOLERANCE	UNITS	mm	KLS P/N: L-KLS1-4.20-1x02-R
x.x ±0.30	SHEET SIZE	A4	
x.xx ±0.20	Draw:	Daniel	2021-01-11
x.xxx ±0.10	Check:	Daniel	2021-01-11



NingBo KLS ELECTRONIC CO.,L TD.

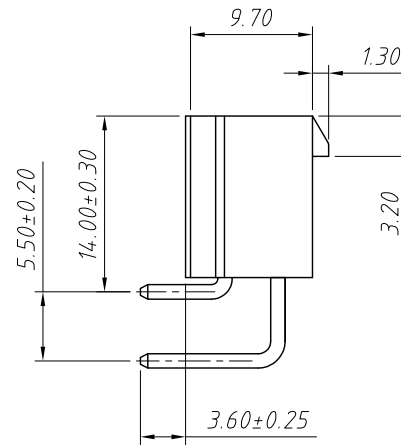
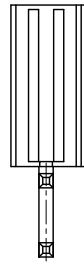
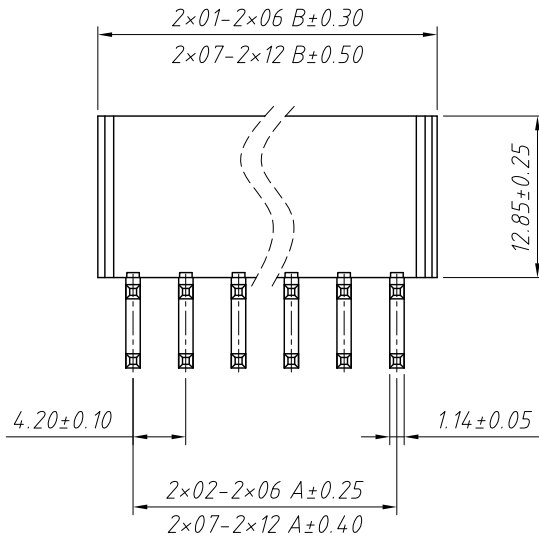
RoHS Compliance



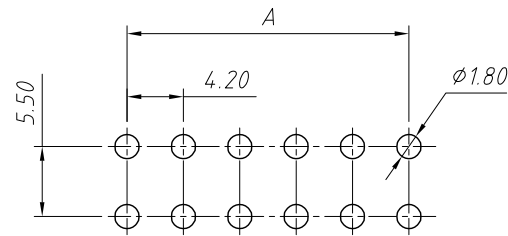
Pin	Dimensions(mm)	
	A	B
2x01	---	5.60
2x02	4.20	9.80
2x03	8.40	14.00
2x04	12.60	18.20
2x05	16.80	22.40
2x06	21.00	26.60
2x07	25.20	30.80
2x08	29.40	35.00
2x09	33.60	39.20
2x10	37.80	43.40
2x11	42.00	47.60
2x12	46.20	51.80

**Material:**  
Housing: PA66, UL 94V-0/2  
Contacts: Brass  
Finish: Tin-plated or Gold-flash

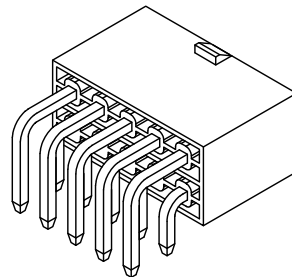
**Electrical Characteristics:**  
Rated Current: 7.0A AC, DC  
Voltage rating: 600V AC, DC  
Temperature range: -25°C ~ +85°C  
Insulator Resistance: 1000MΩ Min  
Withstanding Voltage: 1500V AC/minute  
Contact Resistance: 20mΩ Max



**Order Information:**  
L-KLS1-4.20-2x02-R  
L: RoHS  
Pitch: 4.20mm  
Pins:  
1-Single layer  
2-Double layer  
No. of 01~12 pins  
Type:  
S / SW / SB-Straight male pin  
R / RW / RB-Right angle male pin



Recommended P.C.B Layout

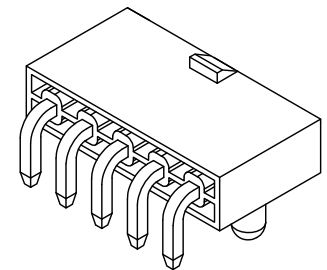
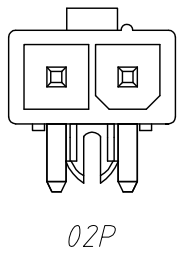
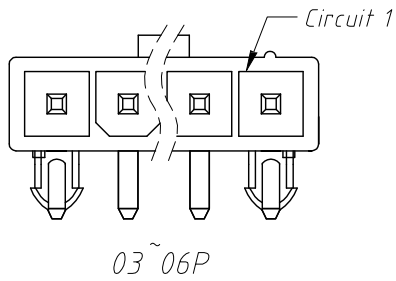


ANGLE TOLERANCE	PROJECTION	Description:	4.20mm Pitch Molex Mini-Fit JR 5556 5557 5559 5566 5569 Wire To Board Connector
±3°			
GENERAL TOLERANCE	UNITS	mm	KLS P/N: L-KLS1-4.20-2x02-R
x.x ±0.30	SHEET SIZE	A4	
x.xx ±0.20	Draw:	Daniel	2021-01-11
x.xxx ±0.10	Check:	Daniel	2021-01-11



NingBo KLS ELECTRONIC CO.,LTD.

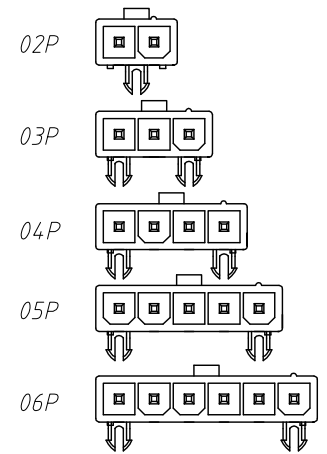
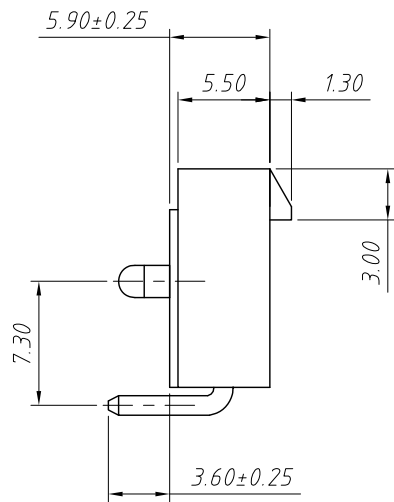
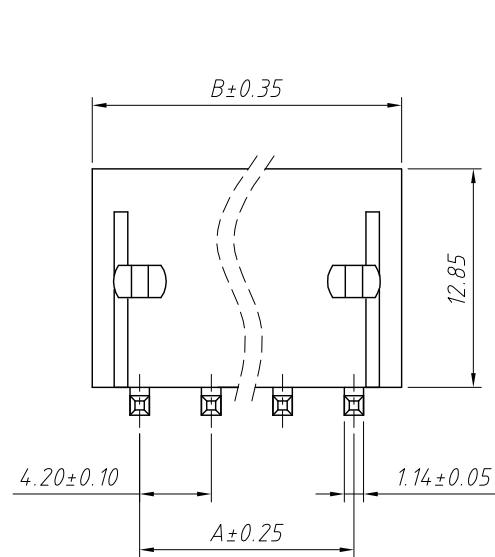
1  
RoHS Compliance



Material:  
Housing:PA66,UL 94 V-0/2  
Contacts:Brass  
Finish:Tin-plated or Gold-flash

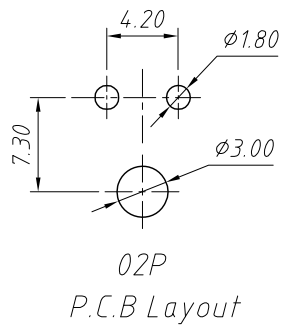
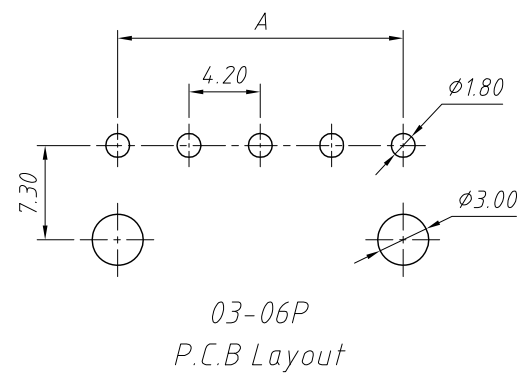
Electrical Characteristics:  
Rated Current:7.0A AC,DC  
Voltage rating:600V AC,DC  
Temperature range:-25°C~ + 85°C  
Insulator Resistance:1000MΩ Min  
Withstanding Voltage:1500V AC/minute  
Contact Resistance:20mΩ Max

Pin	Dimensions(mm)	
	A	B
02	4.20	9.80
03	8.40	14.00
04	12.60	18.20
05	16.80	22.40
06	21.00	26.60



Circuit Size Layout

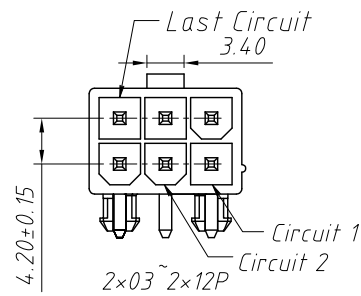
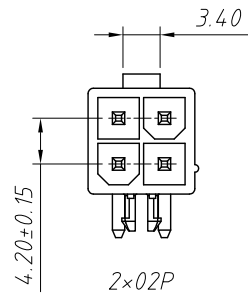
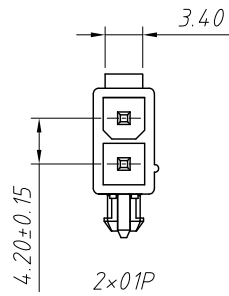
Order Information:  
L-KLS1-4.20-1x02-RW  
L: RoHS  
Pitch:4.20mm  
Pins:  
1-Single layer  
2-Double layer  
No.of 02~06 pins  
Type:  
S / SW / SB-Straight male pin  
R / RW / RB-Right angle male pin



ANGLE TOLERANCE	PROJECTION	Description:	4.20mm Pitch Molex Mini-Fit JR 5556 5557 5559 5566 5569 Wire To Board Connector
±3°			
GENERAL TOLERANCE	UNITS	mm	KLS P/N: L-KLS1-4.20-1x02-RW
x.x ±0.30	SHEET SIZE	A4	
x.xx ±0.20	Draw:	Daniel	2021-01-11
x.xxx ±0.10	Check:	Daniel	2021-01-11



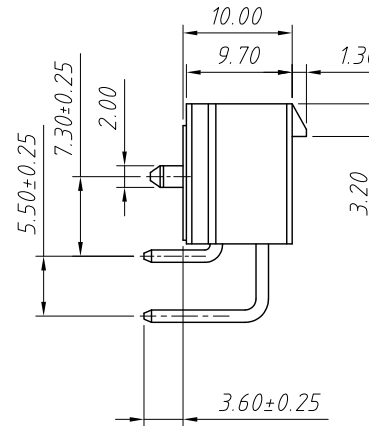
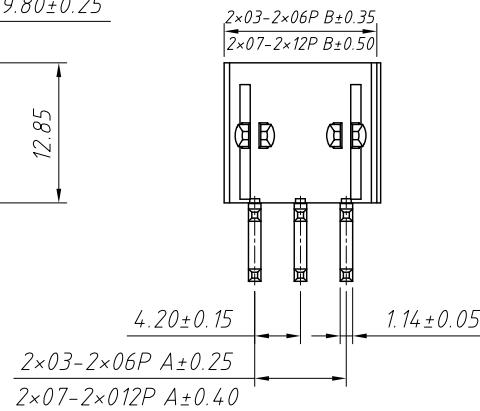
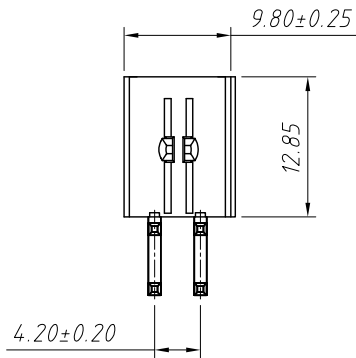
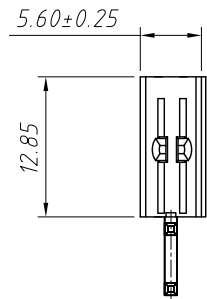
1 RoHS Compliance



Pin	Dimensions(mm)	
	A	B
2×01	---	5.60
2×02	4.20	9.80
2×03	8.40	14.00
2×04	12.60	18.20
2×05	16.80	22.40
2×06	21.00	26.60
2×07	25.20	30.80
2×08	29.40	35.00
2×09	33.60	39.20
2×10	37.80	43.40
2×11	42.00	47.60
2×12	46.20	51.80

Material:  
Housing:PA66,UL94V-2  
Contacts:Brass  
Finish: Tin-plated or Nickel

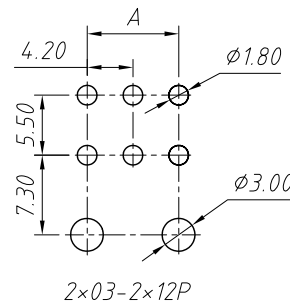
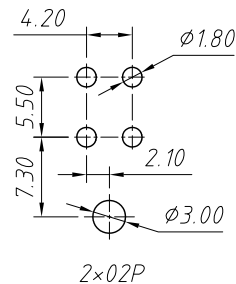
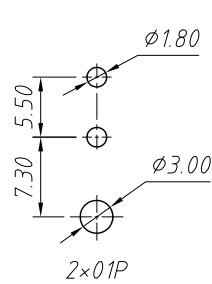
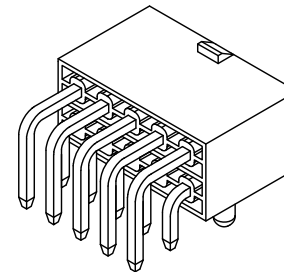
Electrical Characteristics:  
Rated Current:7.0A AC,DC  
Voltage rating:600V AC,DC  
Temperature range:-25°C ~ +85°C  
Insulator Resistance:1000MΩ Min  
Withstanding Voltage:1500V AC/minute  
Contact Resistance:20mΩ Max



Order Information:

L-KLS1-4.20-2×02-RW

L: RoHS  
Pitch:4.20mm  
Pins:  
1-Single layer  
2-Double layer  
No.of 01~12 pins  
Type:  
S / SW / SB-Straight male pin  
R / RW / RB-Right angle male pin



PCB Layout:Component Side

Recommended PCB Thickness 1.78MAX

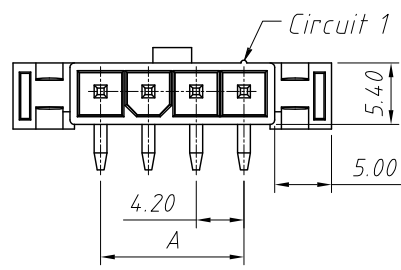
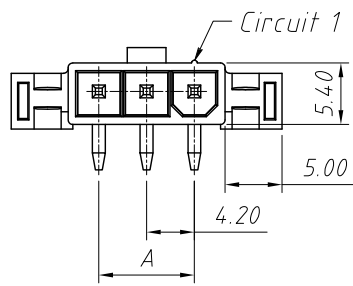
ANGLE TOLERANCE	PROJECTION	Description:
±3°		4.20mm Pitch Molex Mini-Fit JR 5556 5557 5559 5566 5569 Wire To Board Connector
GENERAL TOLERANCE	UNITS	mm
x.x ±0.30	SHEET SIZE	A4
x.xx ±0.20	Draw:	Daniel 2021-01-11
x.xxx ±0.10	Check:	Daniel 2021-01-11



NingBo KLS ELECTRONIC CO.,LTD.

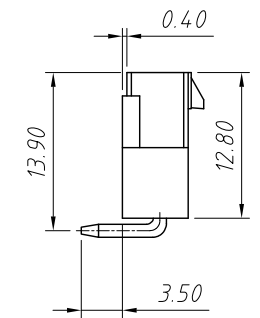
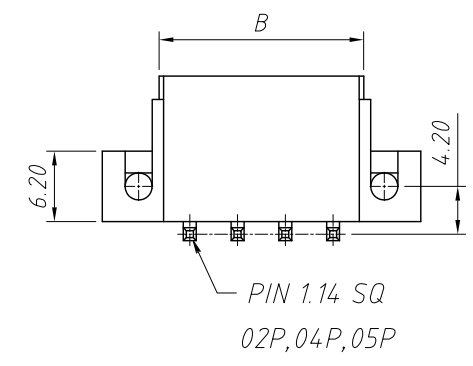
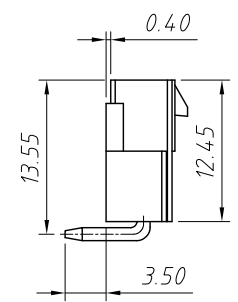
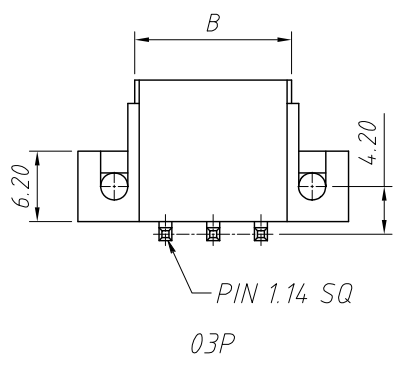


1  
RoHS Compliance



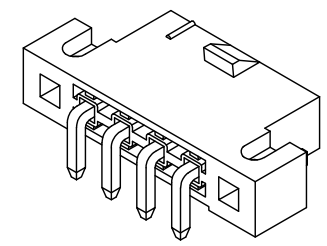
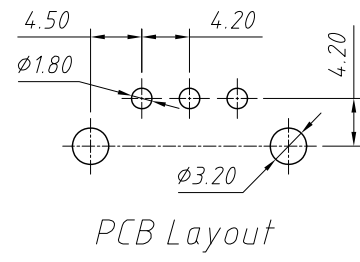
Material:  
Housing:PA66,UL 94 V-0/2  
Contacts:Brass  
Finish: Tin-plated or Gold-flash

Electrical Characteristics:  
Rated Current:7.0A AC,DC  
Voltage rating:600V AC,DC  
Temperature range:-25°C ~ + 85°C  
Insulator Resistance:1000MΩ Min  
Withstanding Voltage:1500V AC/minute  
Contact Resistance:20mΩ Max



Pin	Dimensions(mm)	
	A	B
02	4.20	9.60
03	8.40	13.80
04	12.60	18.00
05	16.80	22.20
06	21.00	26.40

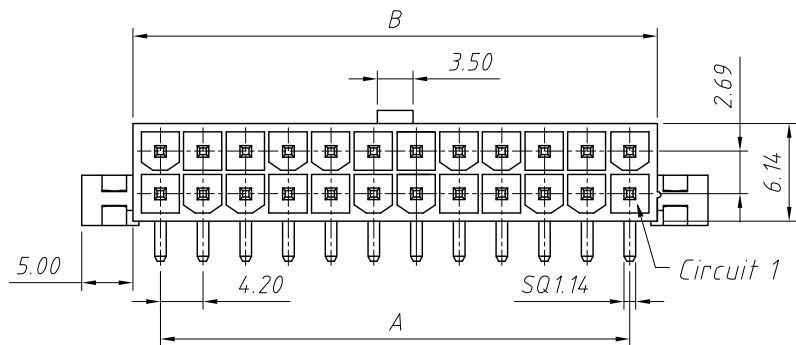
Order Information:  
L-KLS1-4.20-1x02-RB  
L: RoHS  
Pitch:4.20mm  
Pins:  
1-Single layer  
2-Double layer  
No.of 02~06 pins  
Type:  
S / SW / SB-Straight male pin  
R / RW / RB-Right angle male pin



ANGLE TOLERANCE	PROJECTION	Description:	4.20mm Pitch Molex Mini-Fit JR 5556 5557 5559 5566 5569 Wire To Board Connector
±3°			
GENERAL TOLERANCE	UNITS	mm	KLS P/N: L-KLS1-4.20-1x02-RB
x.x ±0.30	SHEET SIZE	A4	
x.xx ±0.20	Draw:	Daniel	2021-01-11
x.xxx ±0.10	Check:	Daniel	2021-01-11

NingBo KLS ELECTRONIC CO.,LTD.

1 RoHS Compliance



Pin	Dimensions(mm)	
	A	B
2x01	---	5.40
2x02	4.20	9.60
2x03	8.40	13.80
2x04	12.60	18.00
2x05	16.80	22.20
2x06	21.00	26.40
2x07	25.20	30.60
2x08	29.40	34.80
2x09	33.60	39.00
2x10	37.80	43.20
2x11	42.00	47.40
2x12	46.20	51.60

Material:

Housing:PA66,UL 94V-0/2

Contacts:Brass

Finish: Tin-plated or Gold-flash

Electrical Characteristics:

Rated Current:7.0A AC,DC

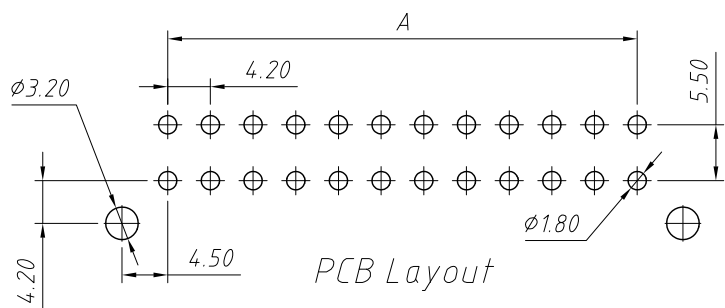
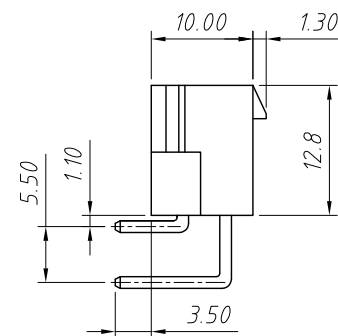
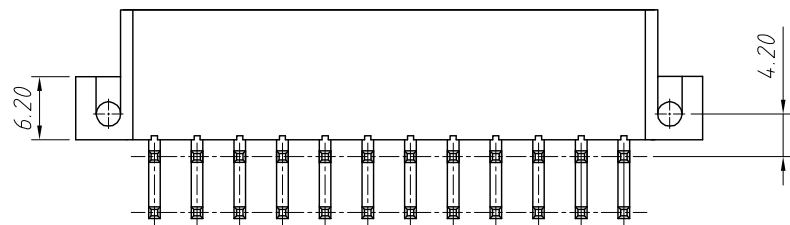
Voltage rating:600V AC,DC

Temperature range:-25°C ~ + 85°C

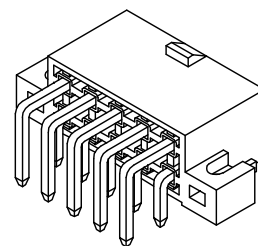
Insulator Resistance:1000MΩ Min

Withstanding Voltage:1500V AC/minute

Contact Resistance:20mΩ Max



PCB Layout



Order Information:

L-KLS1-4.20-2x02-RB

L: RoHS

Pitch:4.20mm

Pins:

1-Single layer

2-Double layer

No.of 01~12 pins

Type:

S / SW / SB-Straight male pin

R / RW / RB-Right angle male pin

ANGLE TOLERANCE	PROJECTION	Description:
±3°		4.20mm Pitch Molex Mini-Fit JR 5556 5557 5559 5566 5569 Wire To Board Connector
GENERAL TOLERANCE	UNITS	mm
x.x ±0.30	SHEET SIZE	A4
x.xx ±0.20	Draw:	Daniel 2021-01-11
x.xxx ±0.10	Check:	Daniel 2021-01-11



NingBo KLS ELECTRONIC CO.,LTD.