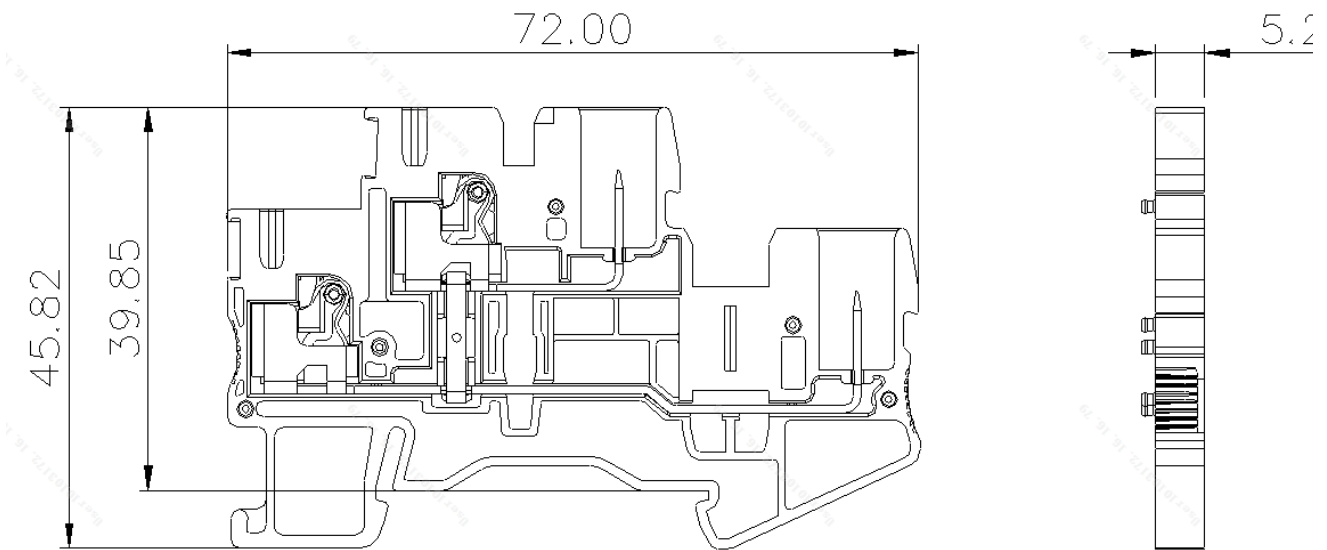


Category: 直插式弹簧接线/Plug-in terminal-plug

Product name: TPD2.5-2-1-PV

Product Description: 5.2mm

### Product Picture



### 基本信息 /Basic Information

产品型号  
SUPU ID TPD2.5-2-1-PV

宽度  
Width 5.2mm

产品层数  
Number of levels 2

接线位数  
Number of connections 4

接线方式  
Connection method 直插弹簧接线

防护等级  
Protection Level IP20

---

工作温度 Work temperature	-40~+105°C
--------------------------	------------

---

## IEC数据 /IEC Data

---

额定电流 Rated Current	22A
额定电压 Rated Voltage	500V
过压类别 Overvoltage category	III
污染等级 Pollution degree	3
额定冲击电压 Rated impulse voltage	6KV
刚性导线截面积 Conductor cross section solid	0.2-4mm <sup>2</sup>
柔性导线截面积 Conductor cross section flexible	0.2-2.5mm <sup>2</sup>
柔性导线截面积，带绝缘管套 Conductor cross section flexible,with furrule	0.2-2.5mm <sup>2</sup>
剥线长度 Stripping length	8-10mm

---

## UL数据 /UL Data

---

使用组别 Use group	B	C	D
额定电流 Rated Current	20A	20A	-
额定电压 Rated Voltage	300V	300V	-
额定接线容量 Rated cross section	26-12AWG		

---

## 材料信息 /Material Data

---

绝缘材料 Insulation material	PA66
绝缘材料组别 Insulation material group	I
阻燃等级，符合UL94 Flame retardant grade, UL94 compliance	V0

---

---

导电体材料 Contact material	Copper alloy
导电体表面镀层 Surface characteristics	Sn,Plated

---

## 产品认证 /Product Certification

---



UL证书号  
UL file No.

VDE证书号  
VDE No.

TUV证书号  
TUV No.

---

## 包装信息 /Packing Data

---

包装信息  
Packaging Information

50 pc

---

Ningbo Supu Electronics Co.,Ltd

Zip code: 315303

Fax: +86 574-63288170

E-mail : askme@supu.cn

Address: No. 625, Kandun Town Street, Cixi  
City, Zhejiang Province

Switchboard: +86 574-63288158

E-mail : askme@supu.cn

Service Hotline: 400-626-6336



Code

---

File date : 2024-09-13 16:04

Product Entry : 2023-09-15

The right to modify data belongs to  
Supu.