

## Data sheet

Commercial Art.No.: 93.422.4353.1

Device connector BST14i2F S1 R S PB02

Device connectors, snap-in panel mount, BST14i2, 2 pole, male, spring clamp connection, 50V/3A, color of coding: pastel blue, color of frame: black



Commercial Art.No.	93.422.4353.1
EAN	4015573650572
Order Unit	1

Certificates / Approvals



## Technical data

### General

Rated current	3 A
Rated voltage	50 V
Pollution degree	2
Mechanical coding	yes
Rated impulse voltage	0.8 kV
Lockable	self-locking (unlocking by hand)
Color of coding/ contact carrier	pastel blue
Marking of poles	1+, 2-
Color of separate adapter (if present)	black

### Connection Data

Connection cross section solid mm <sup>2</sup> max.	0.75 mm <sup>2</sup>
Connection cross section solid mm <sup>2</sup> min.	0.25 mm <sup>2</sup>
Terminations per pole	1
Wire strip length	9 mm

### Model

Model	male
Connection type	spring clamp connection
Angle of plug	straight
Degree of protection (IP)	IP20
Thickness of housings (electrical device) 2	0.5 mm
Thickness of housings (electrical device)	1.5 mm
built-in component	snap-in

**Material**

Housing material	Polyamide
halogen free	yes
Contact material	CuBe
Fire load	0.035 kWh
Insulation components continuous temperature	100 °C
Surface finish	Gilt

**Dimensions**

Length	29.9 mm
Width	19.6 mm
Height	19.6 mm

**Classification**

ECLASS 11	
ECLASS 8.1	27440602
ETIM 7.0	EC002566
ETIM 6.0	EC002566
ETIM 5.0	EC002566
ETIM 4.0	EC002566

**Product compliance**

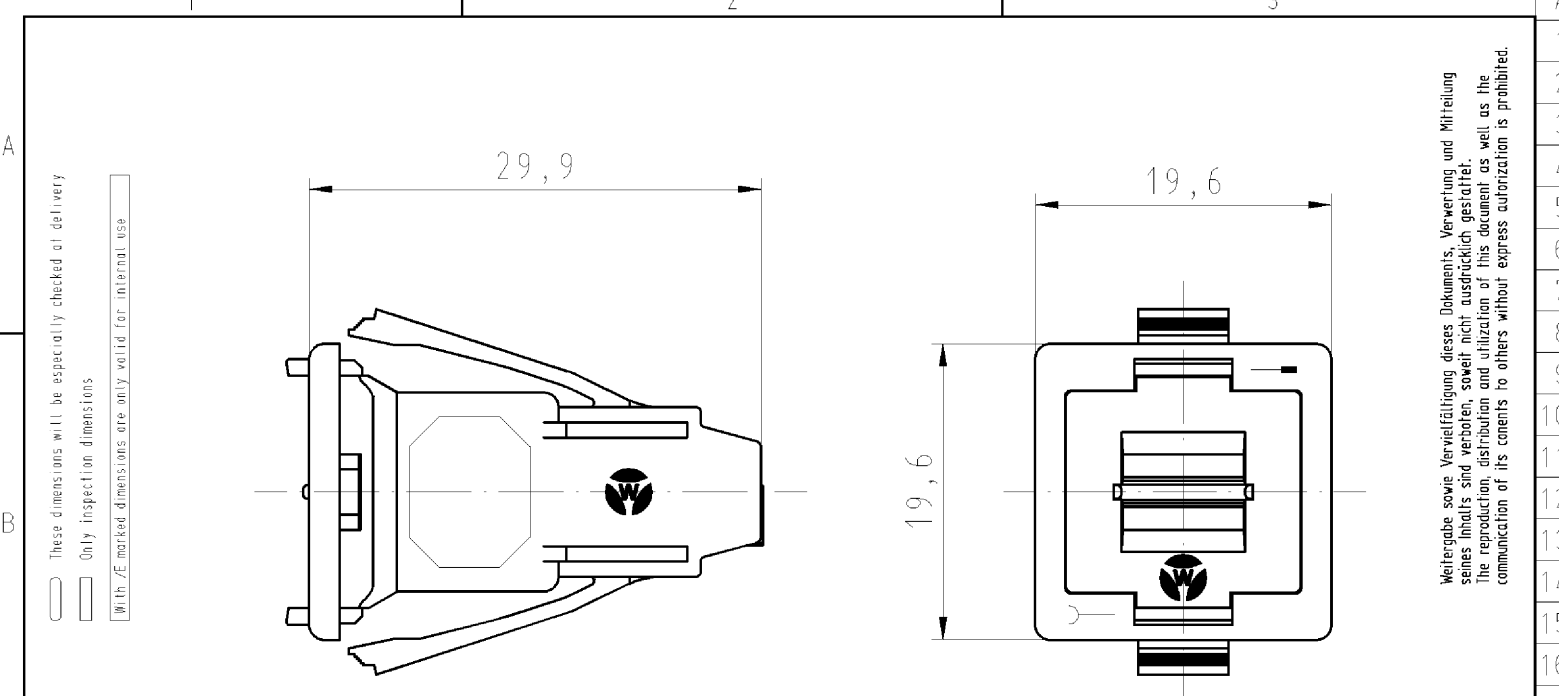
ROHS conformity status	Compliant
REACH-SVHC conformity status	Compliant

**Accessories**

Commercial Art.No.:	Article-type description:	Description:
07.425.8453.0	Cover BST14/GST15i2/RJ45 WS	Cover to close unused openings for BST14 panel mounts. Cover: white

**Fits with**

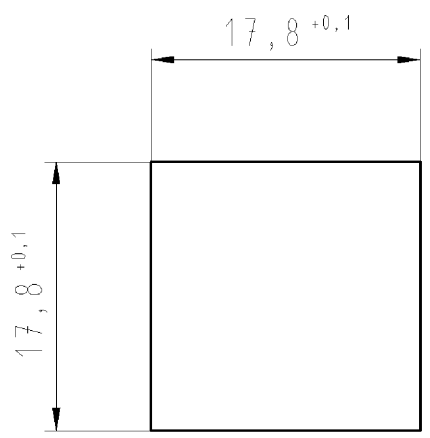
Commercial Art.No.:	Article-type description:	Description:
93.421.4553.1	Connector BST14i2F B1 ZR1 S MPB02	Connector BST14i2, 2 pole, female, spring clamp connection, 50V/3A, color of coding: pastel blue, color of housing: black



These dimensions will be especially checked at delivery  
 Only inspection dimensions  
 With /E marked dimensions are only valid for internal use

Diese Maße werden bei Abnahme besonders geprüft  
 Ausschließlich Prüfmaße  
 Mit /E gekennzeichnete Maße sind nur für interne Zwecke gültig

Gehäuseausschnitt  
 Materialstärke:  
 0,5 - 1,5 mm  
 Section of housing  
 material thickness:  
 0,5 - 1,5 mm



Weitere Daten siehe Katalog  
 further data see catalog

Teile - Nr. part - no.	Typ type	Farbe colour
93.422.4353.0	BST1412F S1 R W PB02	weiß / white
93.422.4353.1	BST1412F S1 R S PB02	schwarz / black

Tolerierung nach DIN 7167/Tolerance system acc. to DIN 7167. (This DIN-standard describes the envelope principle. According to the envelope principle the deviations of form and parallelism are limited by the size tolerances). ja/yes  Stoffverbots- und Deklarationsliste nach UU-TQM-05/03 ist einzuhalten. Conformity with Wieland document UU-TQM-05/03 (list of prohibited / declarable hazardous substances) to be declared!

Freitoleranz nach - General tolerance CAD - Zeichnung, keine manuellen Änderungen CAD - drawing, no manual modifications allowed 1.Verwendung: - First Use: Blatt: 1 von 1 Sheet: 1 of 1

/		Werkstoff/Material	2006	Tag/Date	Name	T	Zeichnung Nr./Drawing No. 93.422.4353.0 01K	Index
/			gezeichnet drawn	13.10.	Treschan			
/		Maßstab/Scale 2:1	geprüft checked	-	-	Maße in mm/Dimensions are in mm		
/			Normgepr. Stand. check	-	-			
/		Vol. mm <sup>3</sup>	Offl./Surf. mm <sup>2</sup>	Ersatz für/Replacement for: -				
/		 <b>wieland</b> Elektrische Verbindungen	Type	Benennung/Tittle <b>STECKERTEIL_SNAP_IN</b> Federkraftanschluß, Snap in male connector, snap in, spring loaded				
Index	Datum / Blatt Date / Sheet							
Änderung/Revision								

Weitergabe sowie Vervielfältigung dieses Dokuments, Verwertung und Mitteilung seines Inhalts sind verboten, soweit nicht ausdrücklich gestattet. Die Reproduktion, Distribution und Utilization of this document as well as the communication of its contents to others without express authorization is prohibited.

934224353001K\_4 CADW1044 treschan 2006-10-13T08:59:50 1.000