

FYL-5013IRAC1C

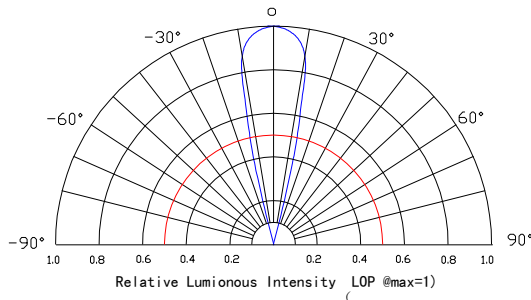
Features:

- Single color
- High Power output
- Low power consumption
- High reliability and long long life
- General purpose leads
- RoHs complant.

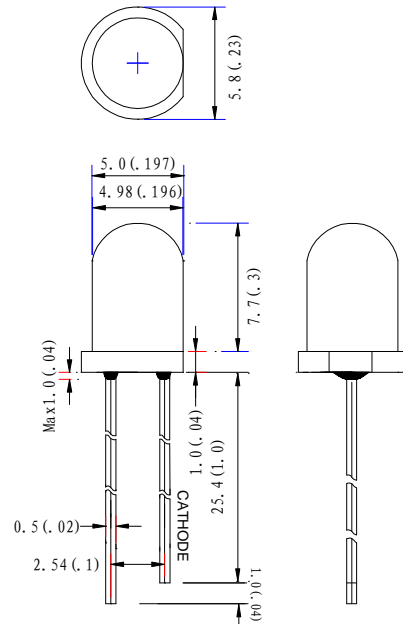
Descriptions:

- Dice material: AlGaAs
- Emitting Color: Infrared
- Device Outline: $\Phi 5\text{mm}$ Round Type.
- Lens Type: Water clear

Radiation pattern.



Package configuration



- ◆ All dimensions are millimeters (inches)
- ◆ Tolerance is $\pm 0.25\text{mm}(0.010\text{'})$ unless otherwise noted.

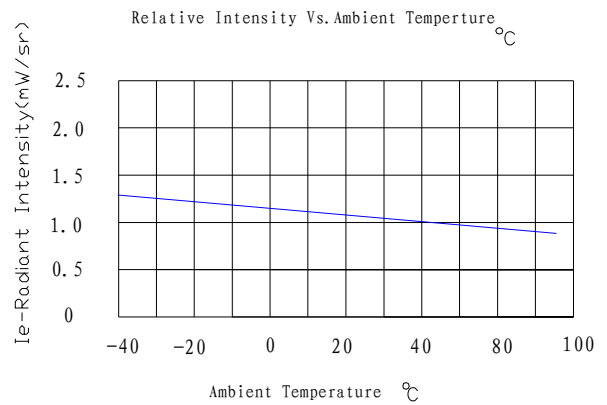
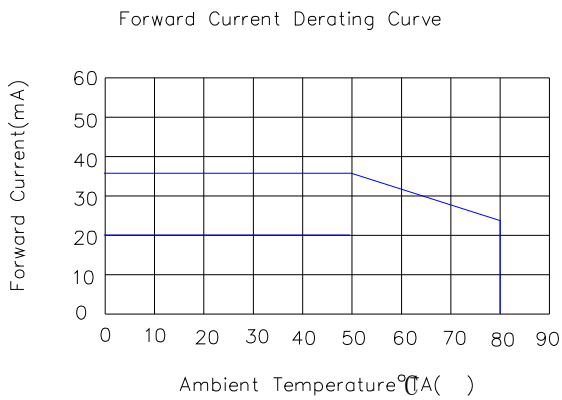
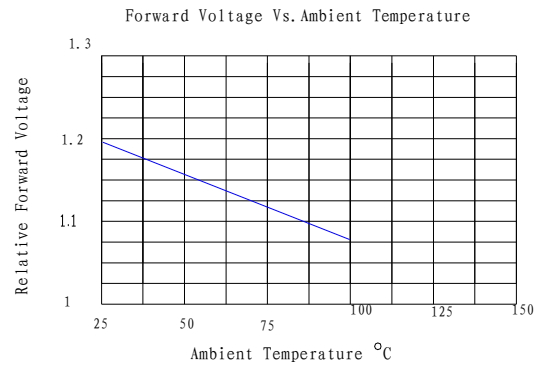
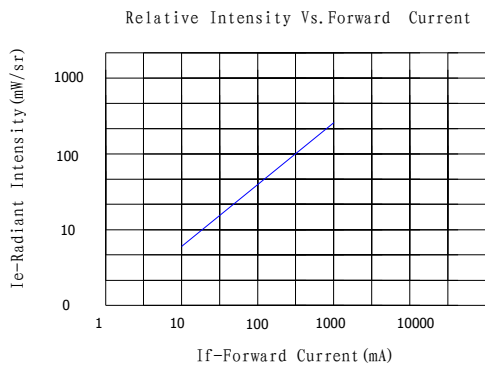
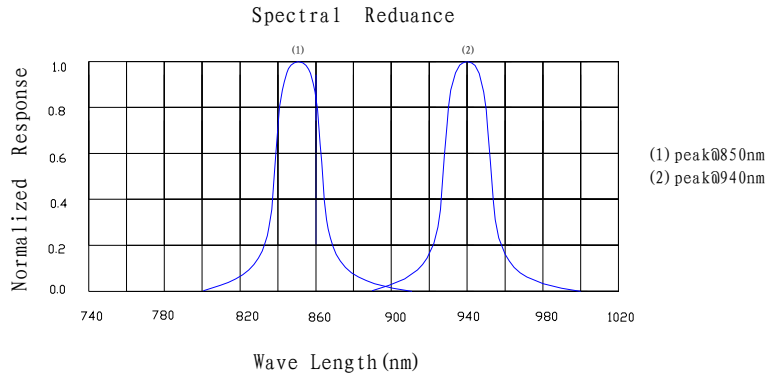
Absolute maximum ratings($T_a=25\text{ }^\circ\text{C}$)

Parameter	Symb	Test Condition	MAX.	Unit
Power Dissipation	pd	-	100	mW
Forward Current	IFM	Duty=0.01ms 1khz	1000	mA
Reverse Voltage	VR	IR=10UA	9	V
Operating Temperature Range			-30°C to +80°C	
Storage Temperature Range			-40°C to +100°C	
Lead Soldering Temperature[4mm(.157") From			260°C for 5 Seconds	

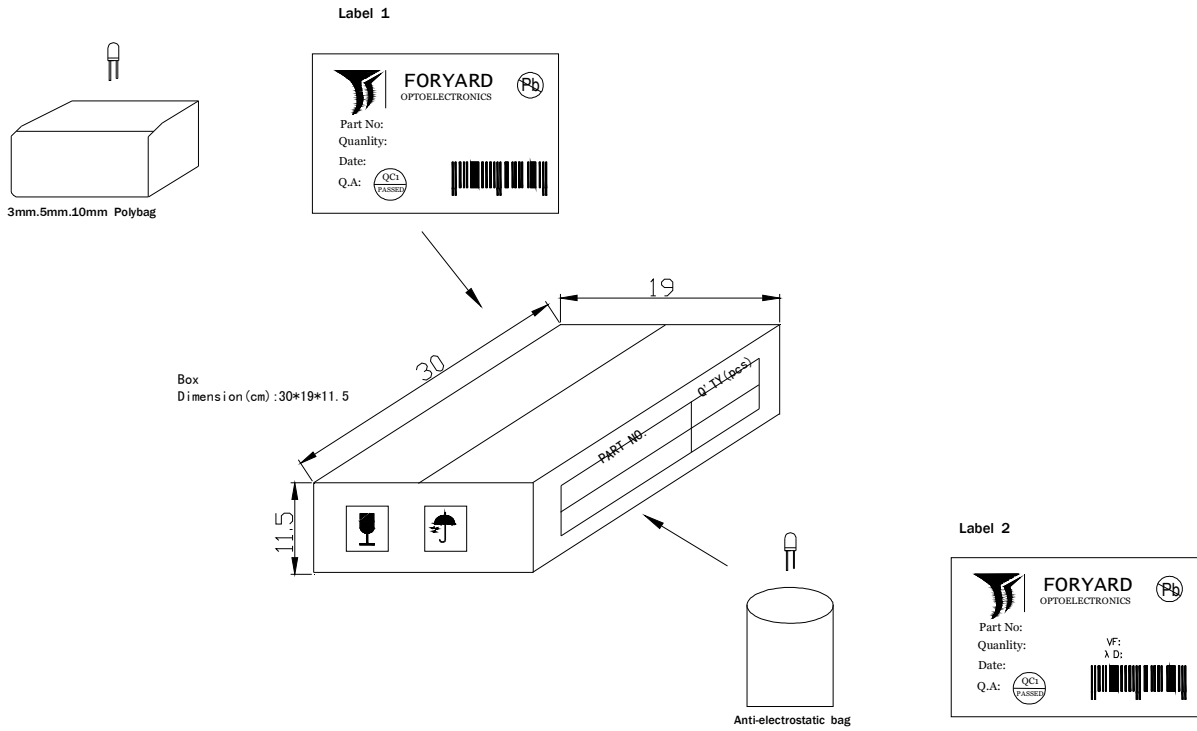
Electrical and optical characteristics($T_a=25\text{ }^\circ\text{C}$)

Parameter	Symbol	Min.	Typ.	Max.	Unit	Test Condition
Radiant Intensity	Ee	40	60	-	Mw/sr	IF=50mA
Viewing Angle	2 θ 1/2	20	25	30	Deg	
Peak Emission	λ_p	-	940	-	nm	
Spectral Line Half-Width	$\Delta\lambda$	40	45	50	nm	
Forward Voltage	VF	-	1.5	1.65	V	
Reverse Current				10	uA	9 V

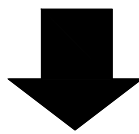
Typical Electrical Characteristics Curves (25 °c Ambient Temperature Unless Otherwise Noted)



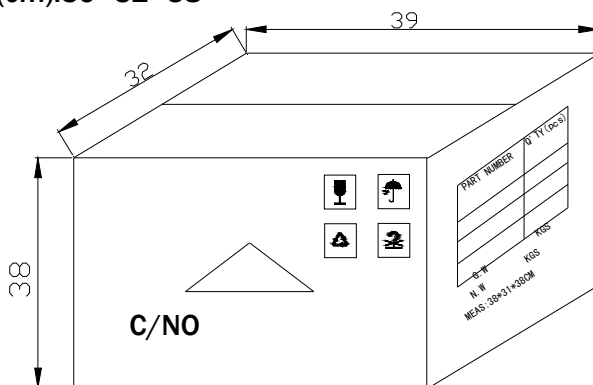
LAMP PACKING.



DEVICE	QTY/polybag(pcs)	Polybag/box A	Fig
5mm(T-1 3/4)	1000	8 bags	Label 1
3mm(T-1)	1000	10 bags	Label 1
10mm(T-1)	250	8 bags	Label 1
Blue/Green/White	500pcs	8 bags	Label 2



CARTON
Dimension(cm):39*32*38



6 Boxes/Carton
5mm:48,000pcs
3mm:60,000pcs
10mm:12,000pcs
Blue/Pure Green/bluish Green
/White:24,000pcs