

## Data sheet

Commercial Art.No.: 92.953.3053.0

Connector GST18I5S B1BZR1 WS

Connector GST18I5, 5 pole, female, screw connection, 250/400V, 16A, color of coding: white, color of housing: white



Commercial Art.No.	92.953.3053.0
EAN	4015573538764
Order Unit	1

Certificates / Approvals



## Technical data

### General

Rated current	20 A
Rated voltage	250 V / 400 V
Rated impulse voltage	4 kV
strain relief	yes
Pollution degree	2
Mechanical coding	Code 1
Lockable	self-locking (unlocking by tool)
Color of coding/ contact carrier	white
Marking of poles	3, N, PE, 2, 1
Color of housing inclusive strain relief	white

### Connection Data

Cable diameter max.	13.5 mm
Cable diameter min.	9.5 mm
Connection cross section solid mm <sup>2</sup> max.	2.5 mm <sup>2</sup>
Connection cross section solid mm <sup>2</sup> min.	0.75 mm <sup>2</sup>
Connection cross section fine stranded mm <sup>2</sup> max.	2.5 mm <sup>2</sup>
Connection cross section fine stranded mm <sup>2</sup> min.	0.75 mm <sup>2</sup>
Terminations per pole	1
sheath strip length	46 mm
Wire strip length	9 mm

### Model

Model	female
Connection type	screw connection
Degree of protection (IP)	IP20

### Material

Housing material	Polyamide
halogen free	yes
Contact material	CuZn

Fire load	0 kWh
Insulation components continuous temperature	100 °C
Surface finish	Silver-plated

#### Dimensions

Length	75 mm
Width	47.7 mm
Height	17 mm

#### Classification

ECLASS 11	
ECLASS 8.1	27440605
ETIM 7.0	EC002560
ETIM 6.0	EC002560
ETIM 5.0	EC002560
ETIM 4.0	EC002560

#### Accessories

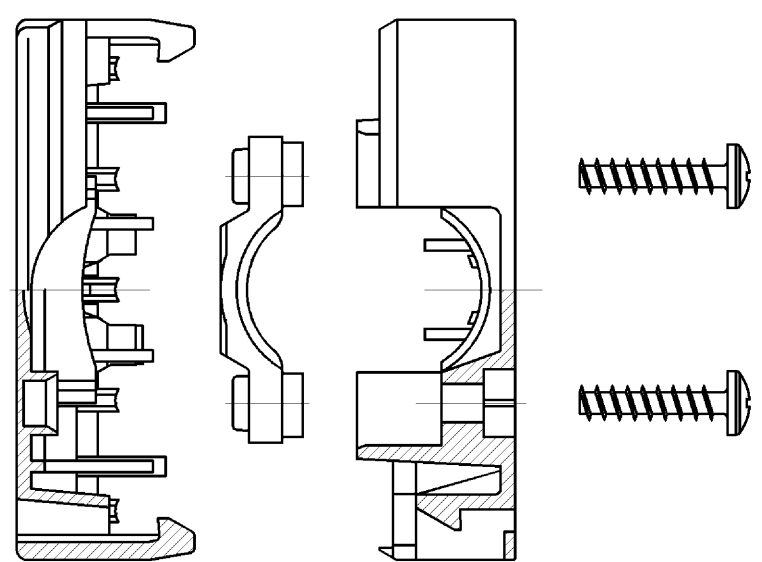
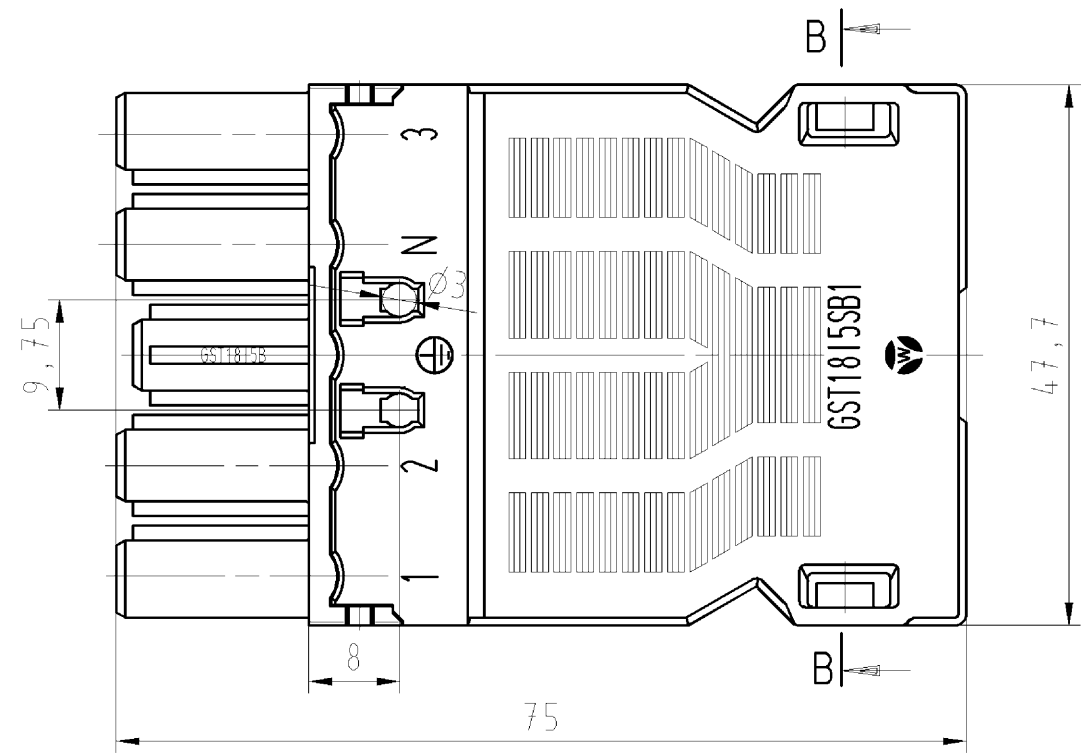
Commercial Art.No.:	Article-type description:	Description:
05.587.3156.0	Lock (G)ST18 WS	Locking device for cable to cable connection GST18i3-5, white
05.564.5353.0	cover cap GST18i3/4/5 SW	Cover piece 12 pole black for female parts GST18i3-6
05.564.5353.2	cover cap GST18i3/4/5 WS	Cover piece 12 pole white for female parts GST18i3-6
05.566.9253.0	cover cap GST18i5 BUCHSEN	Cover for female connectors GST18i5, black
05.587.3156.1	Lock (G)ST18 SW	Locking device for cable to cable connection GST18i3-5, black

#### Fits with

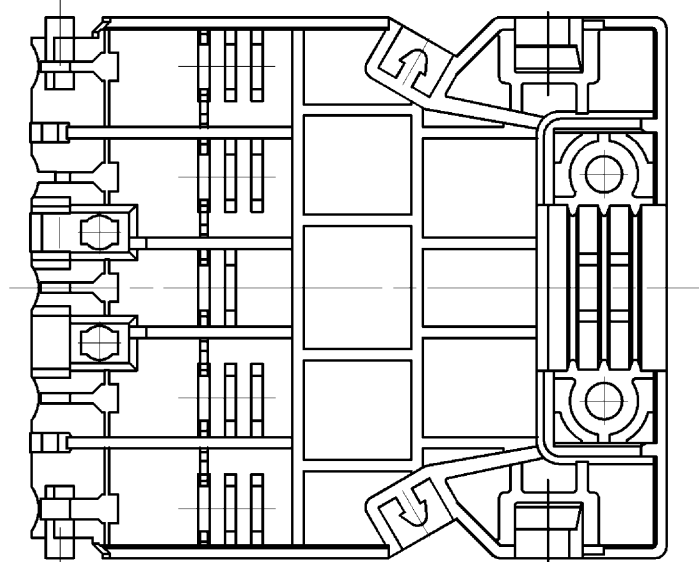
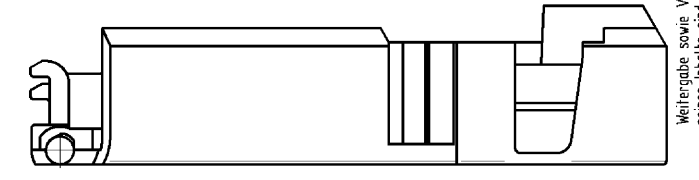
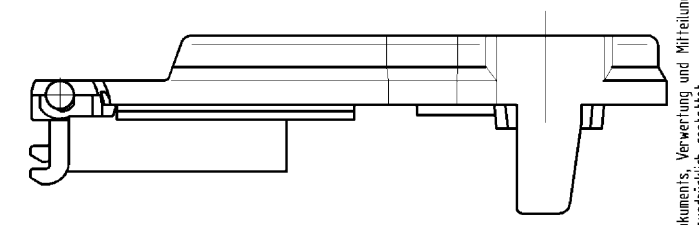
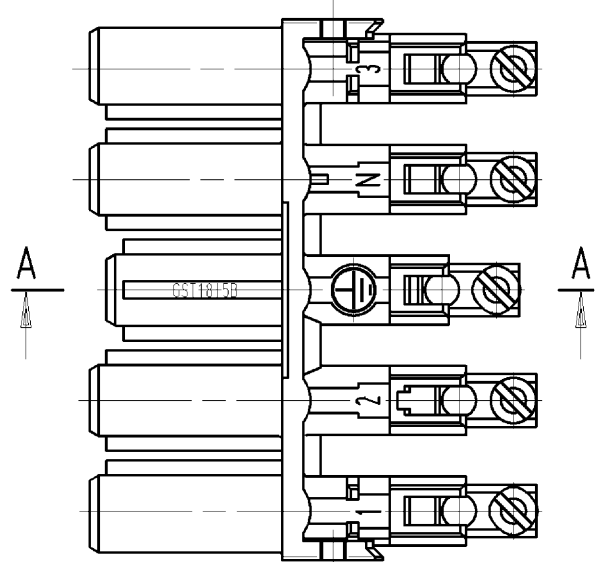
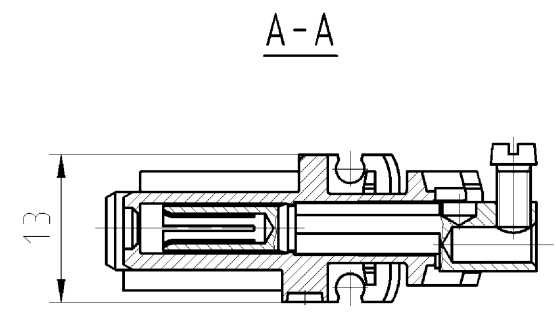
Commercial Art.No.:	Article-type description:	Description:
92.054.0058.0	Device connector GST18i5L S1H WS	GST18i5 PCB mount with additional mounting option, 5 pole, male (horizontal), coding mains 250 V/ 400 V, 20 A, coding color white
92.054.0458.0	Device connector GST18i5L S1H PB02	GST18i5 PCB mount with additional mounting option, 5 pole, male (horizontal), coding mains 250 V + not SELV, 20 A, coding color pastel blue
92.257.1003.0	Cable assembly GST18i5KSB- 15 10TR01	GST18i5 extension cable female - free end, length 1.0 m, 5 pole, coding UPS 250 V/ 400 V, 16 A, coding color tomato red, strain relief color black, cable color black, cross section 1.5 mm <sup>2</sup> , cable type H05VV-F, fire class: Eca
92.954.3053.0	Connector GST18i5S S1BZR1 WS	

These dimensions will be especially checked at delivery  
 Only inspection dimensions  
 With /E marked dimensions are only valid for internal use

Diese Maße werden bei Abnahme besonders geprüft  
 Ausschließliche Prüfmaße  
 Mit /E gekennzeichnete Maße sind nur für interne Zwecke gültig



Teilschnitt B-B



Weitere Daten siehe Katalog  
 further data see catalog

Weitergabe sowie Vervielfältigung dieses Dokuments, Verwertung und Mitteilung seines Inhalts sind verboten, soweit nicht ausdrücklich gestattet. Die Reproduktion, Distribution und Nutzung dieses Dokuments sowie die Kommunikation der Inhalte an Dritte ohne ausdrückliche Genehmigung ist untersagt.

Tolerierung Size ISO 14405/ Tolerance system Size ISO 14405 (This ISO-standard describes the envelope principle. According to the envelope principle the deviations of form and parallelism are limited by the size tolerances).		ja/yes <input checked="" type="checkbox"/> Stoffverbots- und Deklarationsliste nach UU-TOM-05/03 ist einzuhalten. Conformity with Wieland document UU-TOM-05/03 (list of prohibited / declarable hazardous substances) to be declared!	
Freitoleranz nach - General tolerance		CAD - Zeichnung, keine manuellen Änderungen CAD - drawing, no manual modifications allowed	
1. Verwendung: - First Use:		Blatt: 1 von 1 Sheet: of	
Werkstoff/Material		Zeichnung Nr./Drawing No.	
2004 Tag/Date		Name	
Maßstab/Scale		T 92.953.3053.0 01K c	
gezeichnet/drawn		08.12. Treschan	
geprüft/checked			
Normgepr. / Stand. check			
Maße in mm/Dimensions are in mm			
Ersatz für/Replacement for: -			
c 14.01.2013/ Vol. mm <sup>3</sup> Ofl./Surf. mm <sup>2</sup>		Type	
b 18.03.2009/		Benennung/Title female connector with strain relief	
a 16.11.2005/		BUCHSENTEILE MIT ZUGENTLASTUNG	
Index Datum / Blatt Date / Sheet		Schraubanschluss/ screw connection	
Änderung/Revision		250/400V AC, 20A, 2,5qmm	

Teile-Nr. part-no.	Farbe colour	Typ / type	Kabel-Außendurchmesser cable lockable	Klemmbereich cable lockable
92.953.3053.0	weiß / white	GST1815S B1BZR1 WS	9,5 - 13,5 mm	10,5 - 12,5 mm
92.953.3053.1	schwarz / black	GST1815S B1BZR1 SW		
92.953.3153.0	weiß / white	GST1815S B1BZR2 WS	7,0 - 10,0 mm	
92.953.3153.1	schwarz / black	GST1815S B1BZR2 SW		