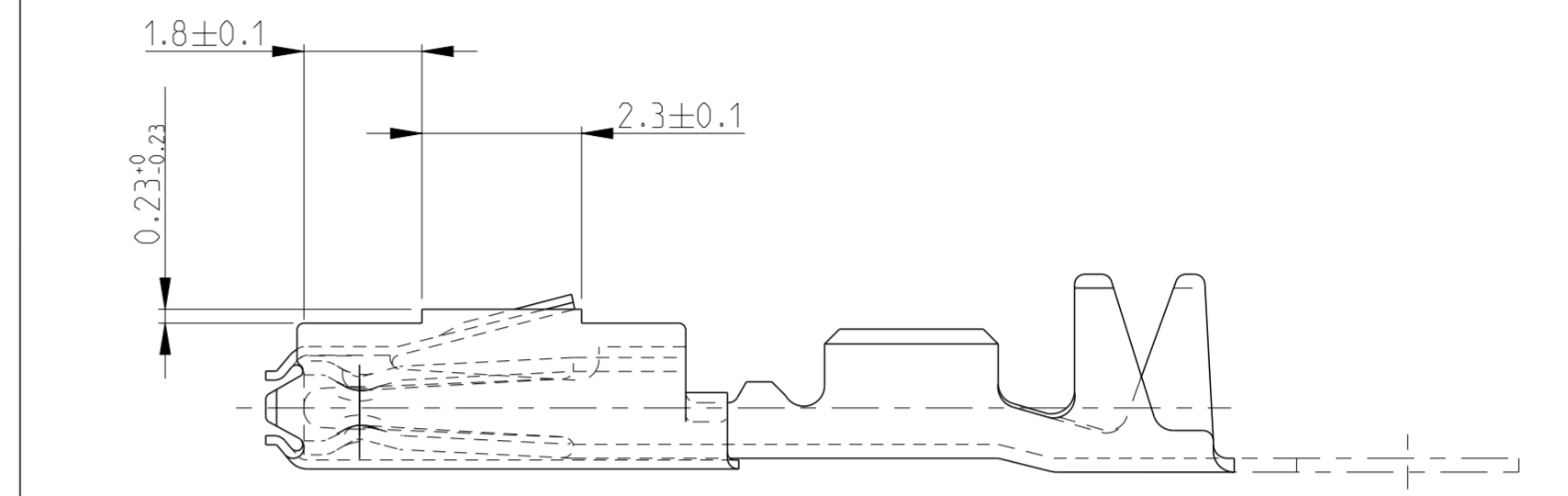
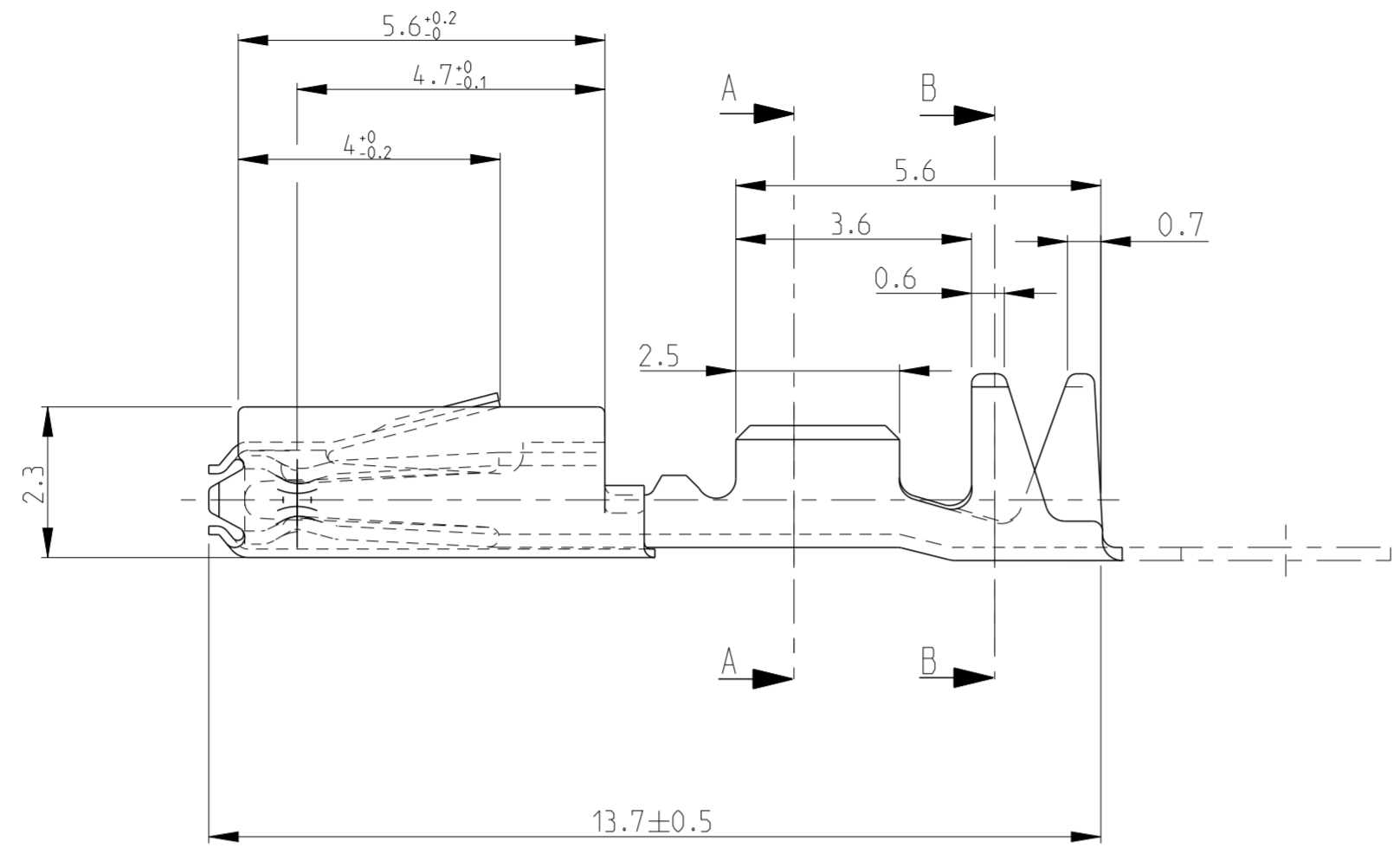
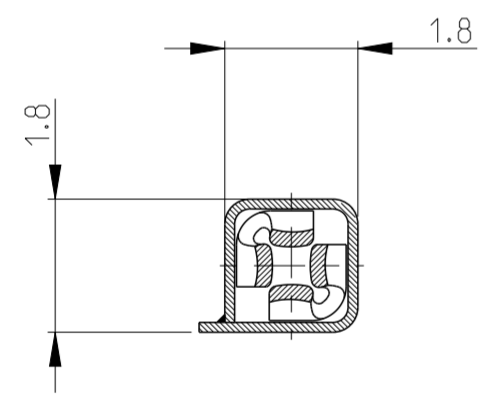


THIS DRAWING IS UNPUBLISHED. RELEASED FOR PUBLICATION 20
 © COPYRIGHT 20 BY - ALL RIGHTS RESERVED.

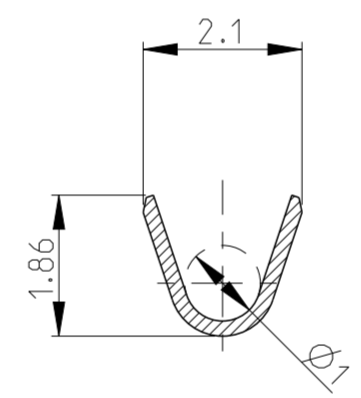
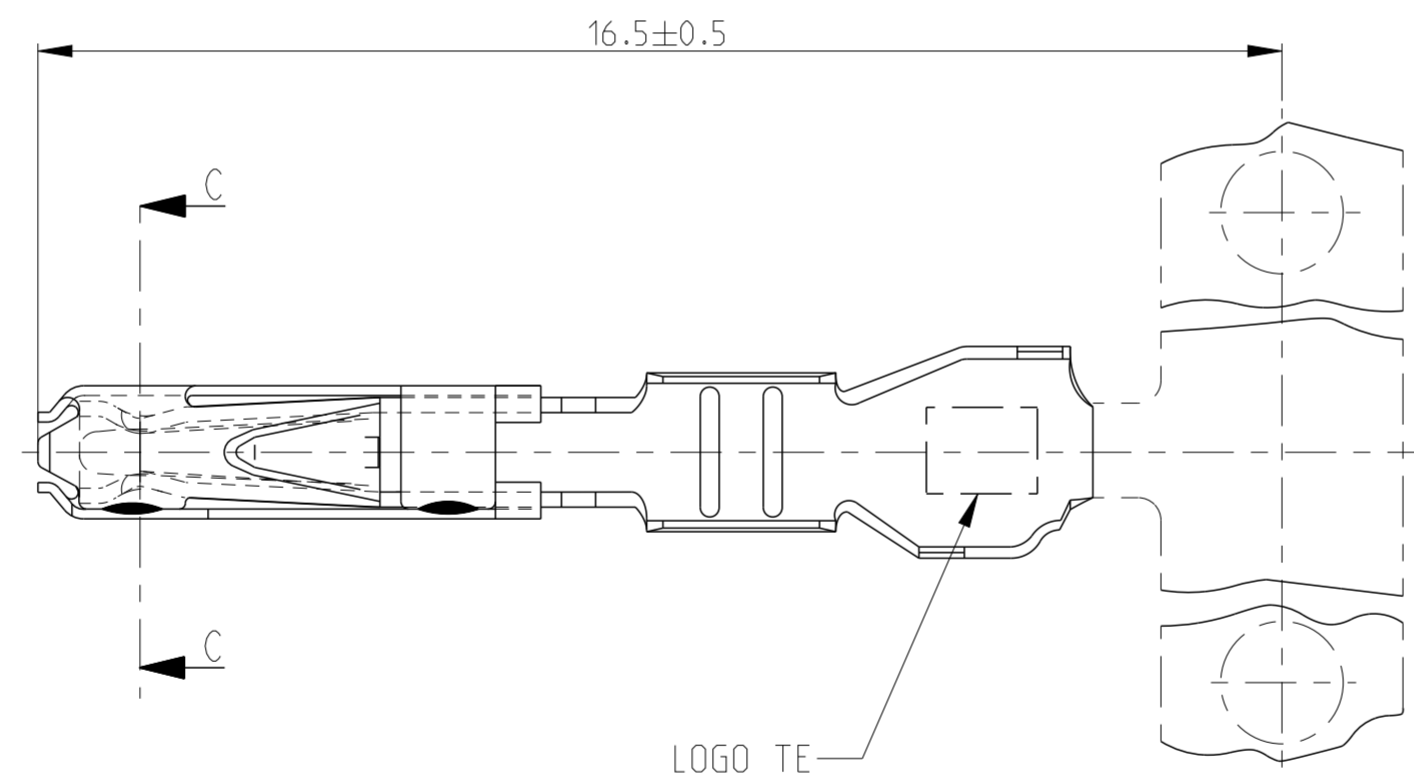
REVISIONS				
P	LTR	DESCRIPTION	DATE	APVD
E		DRAWING CLARIFICATION WITH ALTERNATE DESIGN	03AUG2017	DB JD



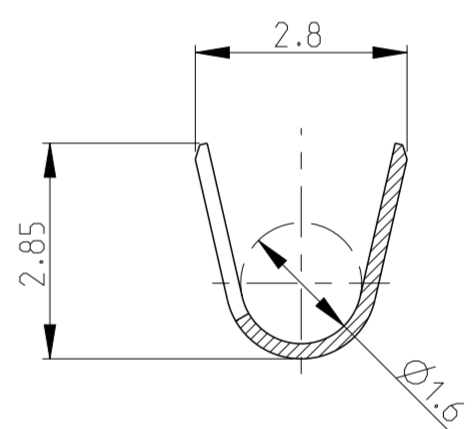
ALTERNATE DESIGN POSSIBLE FOR THE SPRING



SECTION C-C



SECTION A-A



SECTION B-B

PART NUMBER	4 CONTACT POINTS	SPRING	CRIMP AREA
144969-4	Sn 0.8 to 2 µm	Au 0.4 to 0.8 µm	Sn 0.8 to 3.3 µm
144969-3	Au 0.4 to 0.8 µm	Sn 0.8 to 3.3 µm	Sn 0.8 to 3.3 µm
144969-2	Au 0.4 to 0.8 µm	Au 0.4 to 0.8 µm	Sn 0.8 to 3.3 µm
144969-1	Sn 0.8 to 2 µm PRETINNED	Sn 0.8 to 2 µm PRETINNED	Sn 0.8 to 2 µm PRETINNED

THIS DRAWING IS A CONTROLLED DOCUMENT.		DWN A. ROSI 04 JUN2012	TE Connectivity	
DIMENSIONS: mm		CHK X. ROUILLARD 04 JUN2012		
TOLERANCES UNLESS OTHERWISE SPECIFIED:		APVD J. DAHER 04 JUN2012	NAME	
±0.2		PRODUCT SPEC 108-18030	CLIP MQS A SERTIR (0.2-0.6 SQ mm)	
#2°		APPLICATION SPEC 114-15077	MQS RECEPTACLE WITH BARRIER	
MATERIAL	VOIR TABLEAU	WEIGHT 0.2g	SIZE A2	RESTRICTED TO
VOIR TABLEAU		CUSTOMER DRAWING	CAGE CODE 00779	DRAWING NO C-144969
		SCALE 10:1	SHEET 1 OF 1	REV E