

1 2 3 4 5 6 7 8

A

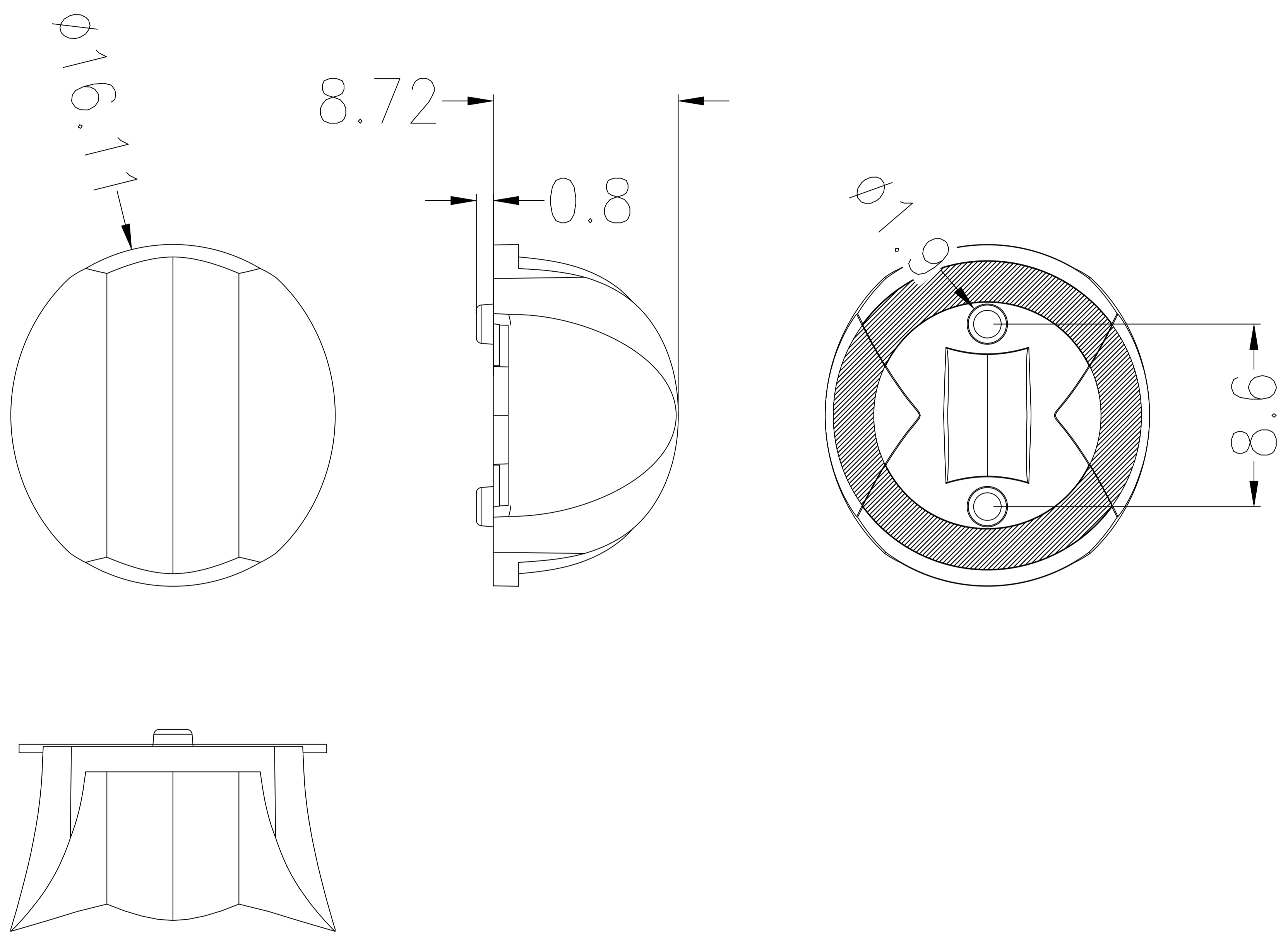
B

C

D

E

F



- NOTE:
1. ALL SURFACES NO SHRINKAGE,BURRS,JUNCTION LINES ALLOWED
 2. CRITICAL DIMENSIONS ARE INDICATED ON THE DRAWING
 3. ALL INDICATED SURFACES ARE POLISHED, THE OPTICAL SURFACE POLISHING MUST BE SPI-A1 STANDARD
 4. THE PARTS IS COMPLIANT TO ROHS AND REACH STANDARD

CHANGE						PART		颜色	Transparency		SCALE	1:1	 ASAHI OPTICS LIMITED	
						0 ~ 10	±0.05	材质	PC+PMMA		UNIT	mm		
						10 ~ 20	±0.10	设计	C.Y.CAI	2021-05-25	SIZE	A4		料号 PART NO.
	A/0	2021-05-21		NEW			20 ~ 30	±0.15	核准			SHEET	品名 Product	Single lens
	版次	日期		变更说明	变更	核准	30 ~	±0.20	设计					
REV	DATE		MODIFICATION DESCRIPTION	CHANGE	APPROVE	Angle	± 1°	核准						
						DIM	TOL	APPROVE						

1 2 3 4 5 6 7 8