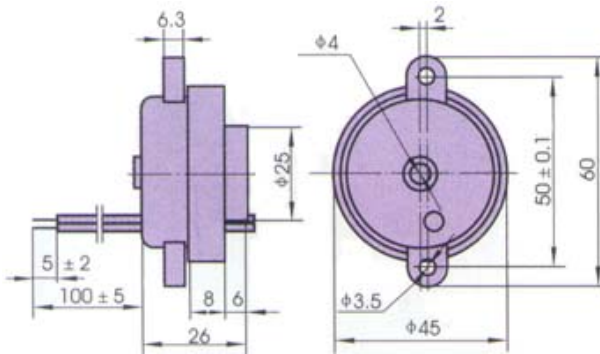
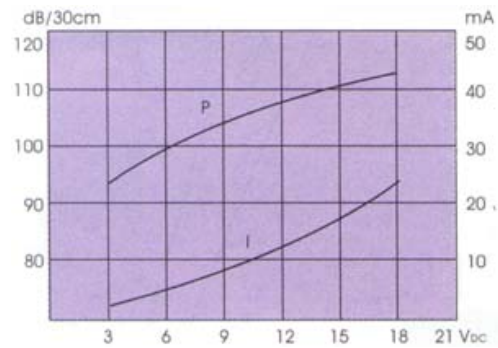




- **EFM-320BL**

**FEATURES:**

- High output
- Sealed type
- High reliability

**DIMENSIONS: (Unit: mm)****CHARACTERISTICS:****ELECTRICAL SPECIFICATIONS :**

Model No.	EFM-320BL
Min. Sound Pressure Level (dB)	105/12V <sub>DC</sub> /30cm
Rated Voltage (V <sub>DC</sub> )	12
Operating Voltage (V <sub>DC</sub> )	3 ~ 16
Max. Consumption (mA)	35 /12V <sub>DC</sub>
Oscillating Frequency (kHz)	2.9 ± 0.5
Tone Nature	Continuous
Operating Temperature (°C)	-20 ~ +70
Weight (g)	22
Case Material/Colour	Fire-resistance ABS/White

**PACKING INFORMATION :**

Packing:	500 pcs per export carton
Carton Size:	47 X 30.5 X 33 cm
G. Weight:	12.5 kgs
N. Weight:	11 kgs