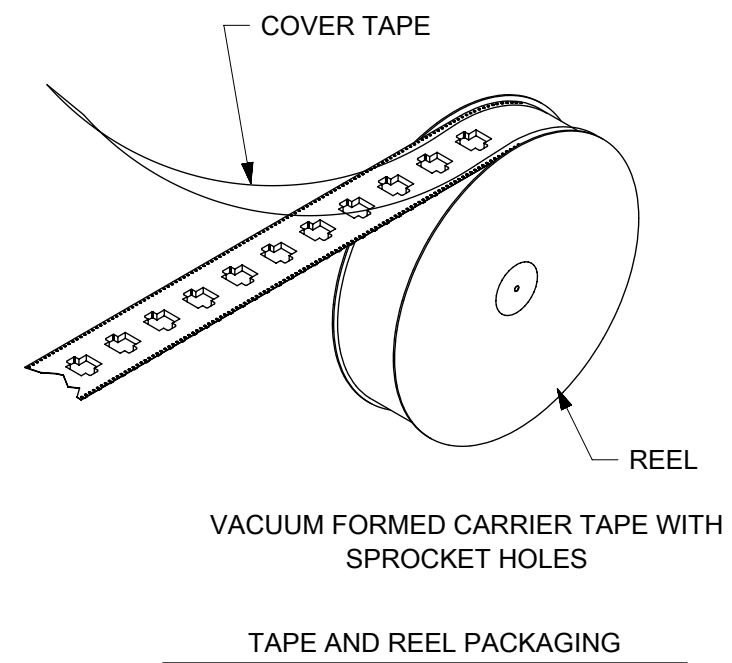
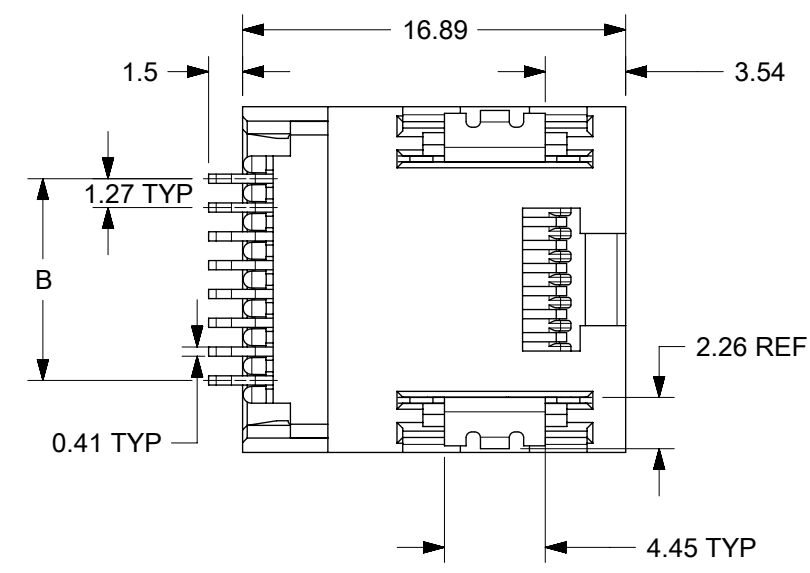
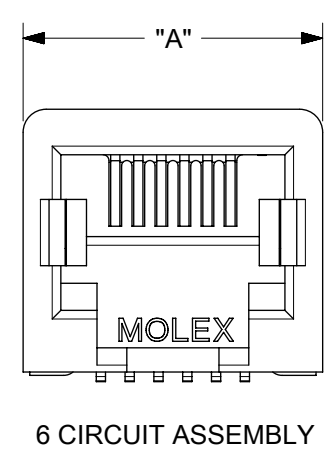
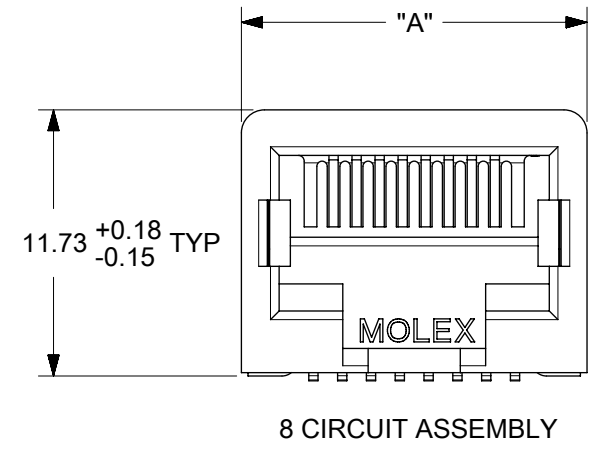
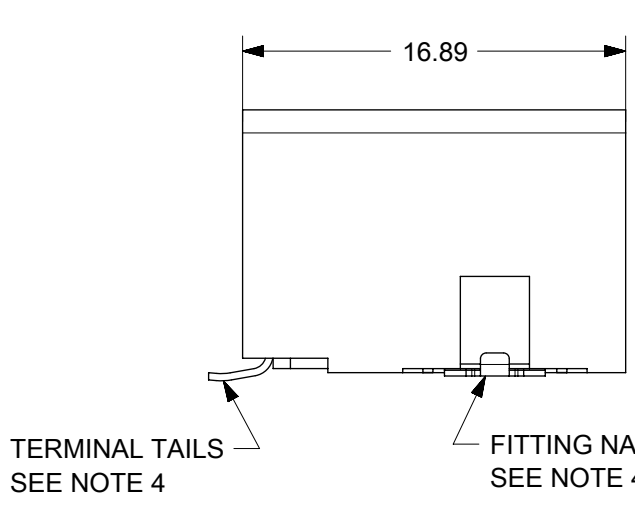


HOUSING SIZE	CIRCUIT SIZE	DIM. A	DIM. B
6	6	13.21	6.35
6	4	13.21	3.81
6	2	13.21	1.27
8	8	15.24	8.89
8	6	15.24	6.35

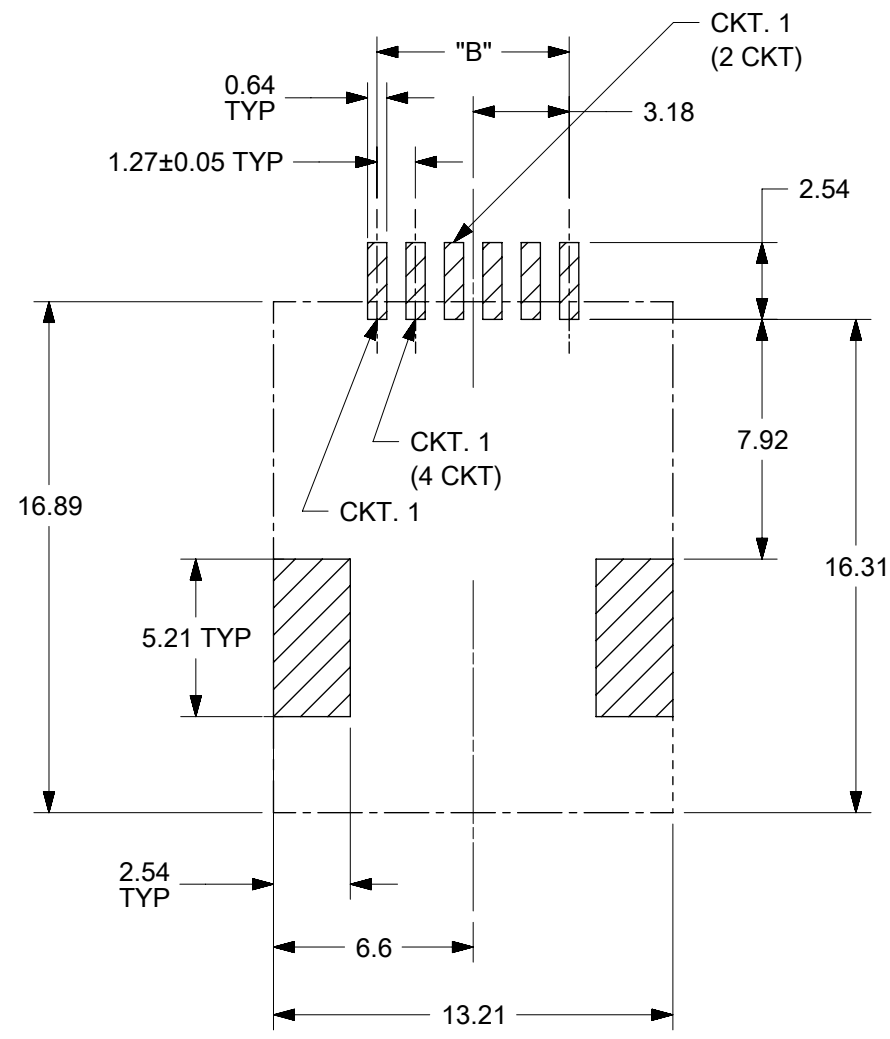


"X"=NOT TOOLED

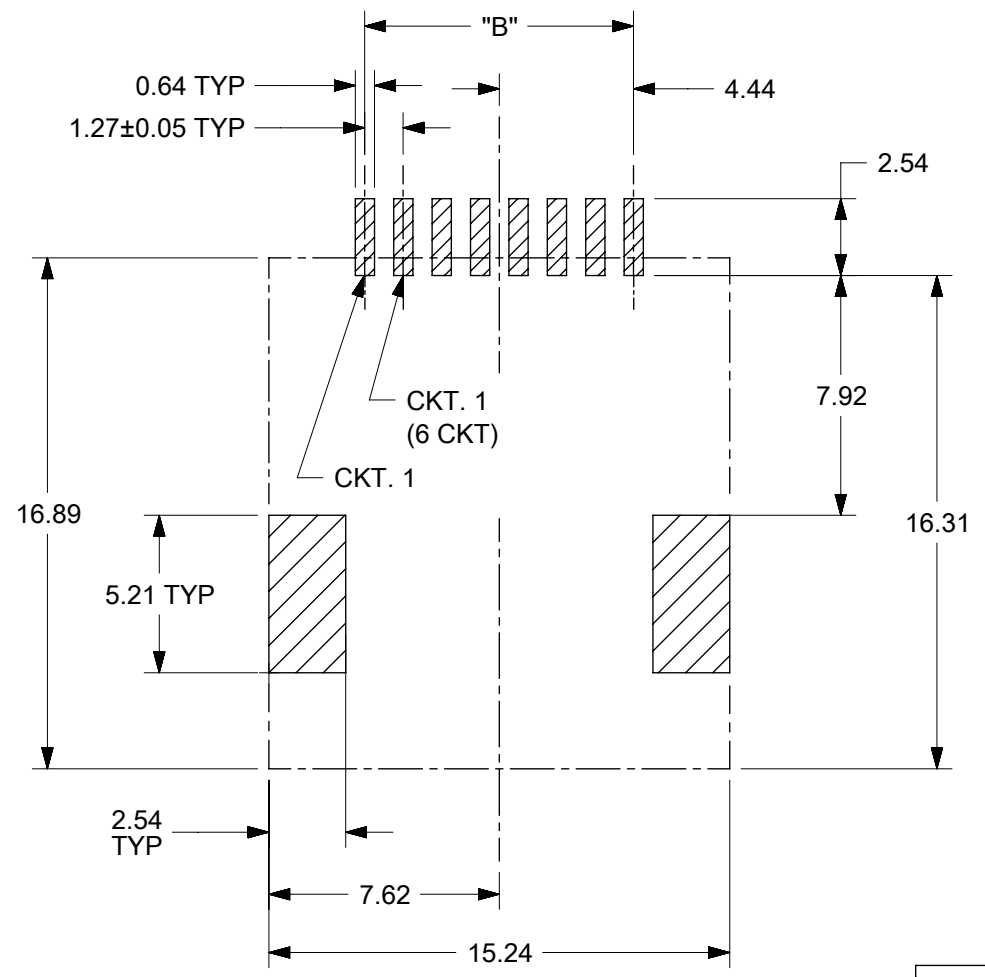
	ASSEMBLY ITEM NO.	CONNECTOR SIZE	CIRCUIT SIZE	TERMINAL PLATING	TAPE & REEL PACKAGING No.	VOIDED CIRCUITS	HOUSING COLOR
X	44144-0001	8	4	A	PK-70873-7002	NA	BLACK
X	44144-0002	8	6	A	PK-70873-7002		
	44144-0003	8	8	A	PK-70873-7002		
	44144-0004	6	4	A	PK-70873-7001		
	44144-0005	6	6	A	PK-70873-7001		
X	44144-0006	8	4	B	PK-70873-7002		
X	44144-0007	8	6	B	PK-70873-7002		
X	44144-0008	8	8	B	PK-70873-7002		
X	44144-0009	6	4	B	PK-70873-7001		
X	44144-0010	6	6	B	PK-70873-7001		
X	44144-0011	8	4	C	PK-70873-7002		
X	44144-0012	8	6	C	PK-70873-7002		
	44144-0013	8	8	C	PK-70873-7002		
	44144-0014	6	4	C	PK-70873-7001	▼	
X	44144-0015	6	6	C	PK-70873-7001	NA	
X	44144-0016	8	4	C	PK-70873-7001	2,3,6,7	
X	44144-0017	6	2	A	PK-70873-7001	NA	
X	44144-0018	6	2	B	PK-70873-7001		
X	44144-0019	6	2	C	PK-70873-7001	▼	
X	44144-0023	8	2	A	PK-70873-7002	NA	

- NOTES :
- MATERIALS:  
HOUSING: NYLON, GLASS-FILLED, UL94V-0; COLOR - SEE CHART  
TERMINALS: PHOSPHOR BRONZE, 0.30 mm THICK  
FITTING NAILS: BRASS ALLOY, 0.25 mm THICK
  - FINISH:  
TERMINALS:  
(A) SELECT GOLD IN CONTACT AREA: 0.00127 mm MIN.,  
\*SELECT MATTE TIN IN PC TAIL AREA: 0.00254 mm MIN.,  
WITH OVERALL NICKEL UNDERPLATE: 0.00127 mm MIN.  
(B) SELECT GOLD IN CONTACT AREA: 0.00076 mm MIN.,  
\*SELECT MATTE TIN IN PC TAIL AREA: 0.00254 mm MIN.,  
WITH OVERALL NICKEL UNDERPLATE: 0.00127 mm MIN.  
(C) SELECT GOLD IN CONTACT AREA: 0.00038 mm MIN.,  
\*SELECT MATTE TIN IN PC TAIL AREA: 0.00254 mm MIN.,  
WITH OVERALL NICKEL UNDERPLATE: 0.00127 mm MIN.  
FITTING NAILS:  
\*2.54 MICROMETER MATTE TIN OVER 1.27 MICROMETER NICKEL UNDERPLATE  
\*THE PRIMARY SHIPPING CARTON WILL BE LABELED "ELV AND RoHS COMPLIANT" CARTONS WITHOUT THIS LABEL MAY CONTAIN PRODUCT WITH TIN-LEAD IN THE PC TAIL AND/OR FITTING NAILS.
  - PRODUCT SPECIFICATION: PS-43743-0001
  - COPLANARITY SPECIFICATION:  
WITH THE MODULAR JACK SITTING ON A LEVEL SURFACE, THE MAXIMUM GAP BETWEEN THE LEVEL SURFACE AND ALL TERMINAL TAILS AND BOTH FITTING NAILS IS 0.15 mm.
  - FOR ASSEMBLIES HAVING VOIDED CIRCUITS, THE TAIL PORTION IS CUT AND REMOVED. THE MATING PORTION OF THE TERMINAL REMAINS INTACT.
  - CONVECTION SOLDERING TECHNOLOGY SHOULD BE USED WHEN GANGING MODULAR JACKS WITH INBOARD NAILS SIDE-BY-SIDE.
  - THIS PART CONFORMS TO CLASS B REQUIREMENTS OF COSMETIC SPECIFICATION PS-45499-002.

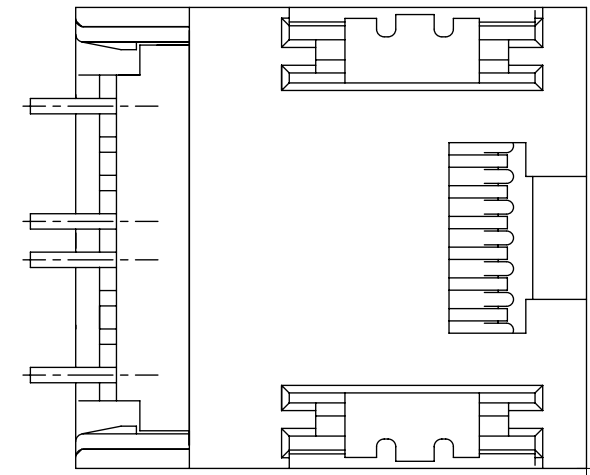
SYMBOLS	THIS DRAWING CONTAINS INFORMATION THAT IS PROPRIETARY TO MOLEX ELECTRONIC TECHNOLOGIES, LLC AND SHOULD NOT BE USED WITHOUT WRITTEN PERMISSION		CURRENT REV DESC: MIGRATED TO NX		<b>molex</b>		
	DIMENSION UNITS	SCALE					
▽ = 0	mm	3:1			4, 6, 8 CIRCUIT SMT MODULAR JACK W/ FLUSH FITTING NAILS		
▽ = 0	GENERAL TOLERANCES (UNLESS SPECIFIED)				PRODUCT CUSTOMER DRAWING		
▽ = 0	ANGULAR TOL ± 0.5°				DOCUMENT NUMBER		
▽ = 0	4 PLACES ±		EC NO: 173578		DOC TYPE		
▽ = 0	3 PLACES ±		DRWN: VK10 2018/01/10		DOC PART		
▽ = 0	2 PLACES ± 0.25		CHK'D: KLANG 2018/03/23		REVISION		
▽ = 0	1 PLACE ± 0.38		APPR: KLANG 2018/03/23		SD-44144-001		
▽ = 0	0 PLACES ±		INITIAL REVISION:		PSD 001 H7		
▽ = 0	DRAFT WHERE APPLICABLE MUST REMAIN WITHIN DIMENSIONS		DRWN: AFENG02 2017/02/23		MATERIAL NUMBER		
▽ = 0	THIRD ANGLE PROJECTION		APPR: KLANG 2017/02/27		CUSTOMER		
		DRAWING		SERIES		SHEET NUMBER	
		A3-SIZE		44144		1 OF 2	



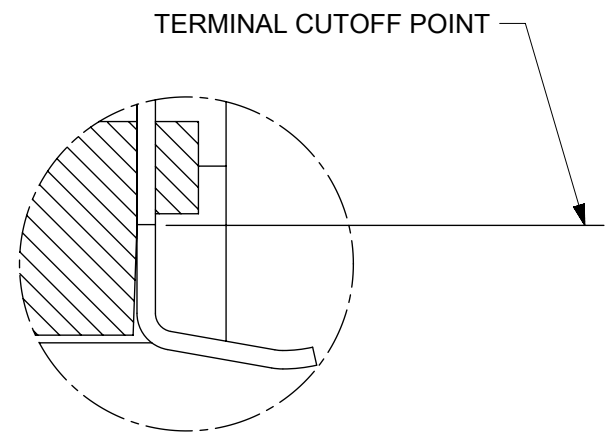
PCB LAYOUT FOR CONNECTOR SIZE 6  
(COMPONENT SIDE OF BOARD)



PCB LAYOUT FOR CONNECTOR SIZE 8  
(COMPONENT SIDE OF BOARD)

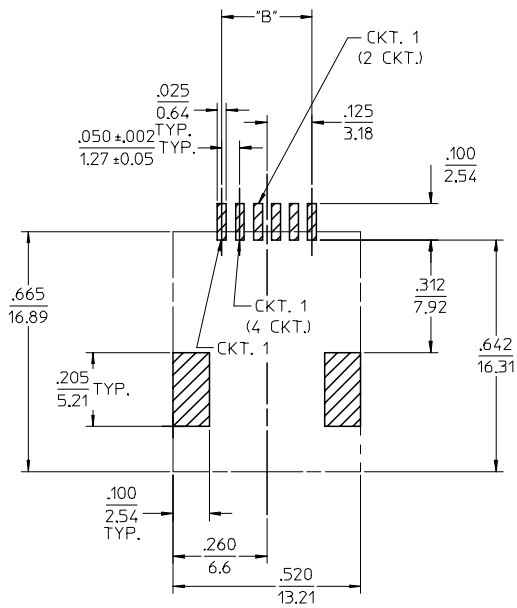


TYPICAL VIEW SHOWING VOIDED CIRCUIT  
44144-0016 SHOWN

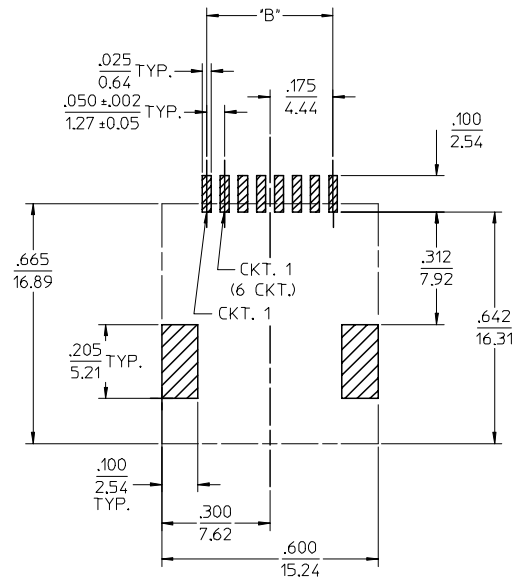


VIEW SHOWING TYPICAL TERMINAL  
CUTOFF OF TAIL (SEE NOTE 5) FOR VOIDED CIRCUITS.

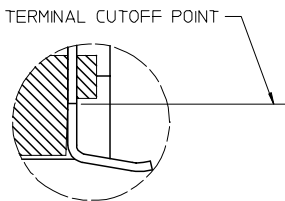
SYMBOLS	THIS DRAWING CONTAINS INFORMATION THAT IS PROPRIETARY TO MOLEX ELECTRONIC TECHNOLOGIES, LLC AND SHOULD NOT BE USED WITHOUT WRITTEN PERMISSION		CURRENT REV DESC: MIGRATED TO NX		<b>molex</b>	
	DIMENSION UNITS	SCALE				
▽ = 0	mm	4:1			4, 6, 8 CIRCUIT SMT MODULAR JACK W/ FLUSH FITTING NAILS	
▽ = 0	GENERAL TOLERANCES (UNLESS SPECIFIED)				PRODUCT CUSTOMER DRAWING	
▽ = 0	ANGULAR TOL ± 0.5°				DOCUMENT NUMBER	
▽ = 0	4 PLACES	±	EC NO: 173578	2018/01/10	SD-44144-001	
▽ = 0	3 PLACES	±	DRWN: VK10	2018/03/23	PSD 001 H7	
▽ = 0	2 PLACES	± 0.25	CHK'D: KLANG	2018/03/23	REVISION	
▽ = 0	1 PLACE	± 0.38	APPR: KLANG		SHEET NUMBER	
▽ = 0	0 PLACES	±	INITIAL REVISION:		MATERIAL NUMBER	
□ = 0	DRAFT WHERE APPLICABLE MUST REMAIN WITHIN DIMENSIONS		DRWN: AFENG02	2017/02/23	CUSTOMER	
□ = 0	THIRD ANGLE PROJECTION		APPR: KLANG	2017/02/27	GENERAL MARKET	
□ = 0			DRAWING	SERIES	SEE CHART	
□ = 0			A3-SIZE	44144	2 OF 2	



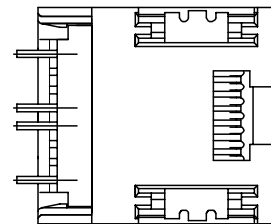
PCB LAYOUT FOR CONNECTOR SIZE 6  
(COMPONENT SIDE OF BOARD)



PCB LAYOUT FOR CONNECTOR SIZE 8  
(COMPONENT SIDE OF BOARD)



VIEW SHOWING TYPICAL TERMINAL  
CUTOFF OF TAIL (SEE NOTE 5) FOR VOIDED CIRCUITS.



TYPICAL VIEW SHOWING VOIDED CIRCUIT  
44144-0016 SHOWN

SEE SHEET ONE EC NO: UCP2004-0798 DRW:LSCHMIDT 2004/01/05 CHKD:LSCHMIDT 2004/01/05 APPR:FSMITH 2004/01/08	QUALITY SYMBOLS	GENERAL TOLERANCES (UNLESS SPECIFIED)	SCALE 4:1	DESIGN UNITS INCH	THIRD ANGLE PROJECTION	REVISE ON CAD ONLY	
	DESCRIPTION ▽ = 0 ▽ = 0	mm	INCH	DIMENSION STYLE IN/MM		TITLE	
		4 PLACES ± .005	± .005	DRAWN BY	DATE	4, 6, 8 CIRCUIT SMT MODULAR JACK W/ FLUSH FITTING NAILS	
		3 PLACES ± .010	± .010	DSTAMBAU	00/04/07		
2 PLACES ± 0.25	± .015	CHECKED BY	DATE	MOLEX INCORPORATED			
1 PLACE ± 0.38	± .020	BWIRKUS	00/04/07				
	ANGULAR ±1/2°	DRAFT WHERE APPLICABLE MUST REMAIN WITHIN DIMENSIONS	APPROVED BY	DATE	MATERIAL NO.	DOCUMENT NO.	
			R EDGLEY	00/04/07	SEE CHART	SD-44144-001	
			THIS DRAWING CONTAINS INFORMATION THAT IS PROPRIETARY TO MOLEX INCORPORATED AND SHOULD NOT BE USED WITHOUT WRITTEN PERMISSION		SHEET NO.	2 OF 2	