

Precision, Low Noise, CMOS, Rail-to-Rail Input and Output Operational Amplifier

PRODUCT DESCRIPTION

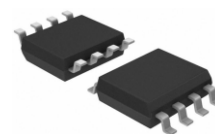
The MS8361 and MS8362 are single channel, dual channel rail-to-rail input and output, single power supply operational amplifiers respectively, which are featured by low offset voltage, low input noise and wide signal bandwidth.

The perfect features make it applicable to filter, integrator, photodiode amplifier and high-impedance sensor. Audio and some AC applications are benefited by wide bandwidth and low distortion features.

The operating temperature range of the MS8361 or MS8362 is -40°C to 125°C.



SOT23-5



SOP8



MSOP8

FEATURES

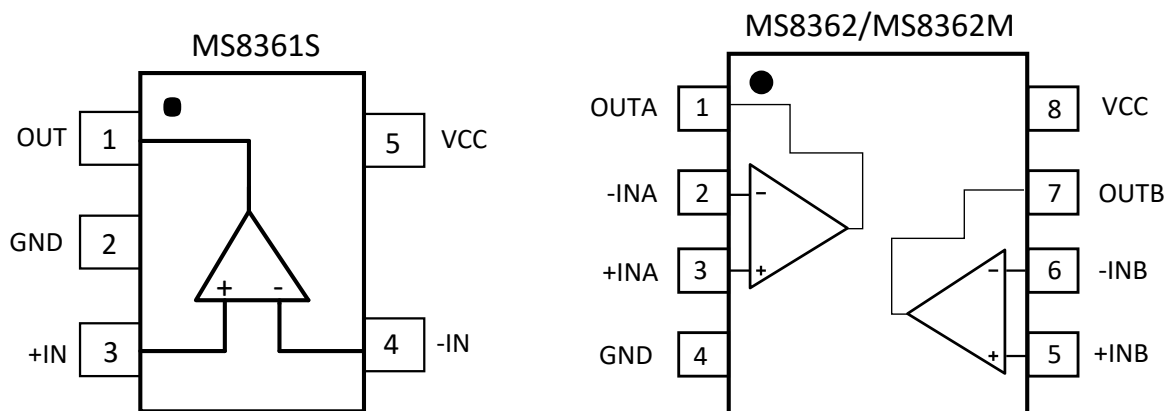
- Low Offset Voltage : 65 μ V (Typ), 300 μ V (Max)
- Low Input Bias Current
- Single Power Supply : 2.7V to 5.5V
- Low Noise : 9.5nV/ \sqrt Hz
- Wide Bandwidth :16MHz
- Stable Unity Gain

APPLICATIONS

- Photodiode Amplifier
- Multiple-order Filter
- Sensor
- Audio
- Bar Code Scanner

PRODUCT SPECIFICATION

Part Number	Package	Marking
MS8361S	SOT23-5	8361S
MS8362	SOP8	M8362
MS8362M	MSOP8	MS8362M

PIN CONFIGURATION

PIN DESCRIPTION

Pin	Name	Type	Description
MS8361S			
1	OUT	O	Channel Output
2	GND	-	Ground
3	+IN	I	Positive Input
4	-IN	I	Negative Input
5	VCC	-	Power Supply
MS8362/MS8362M			
1	OUTA	O	Channel A Output
2	-INA	I	Negative Input (Channel A)
3	+INA	I	Positive Input (Channel A)
4	GND	-	Ground
5	+INB	I	Positive Input (Channel B)
6	-INB	I	Negative Input (Channel B)
7	OUTB	O	Channel B Output
8	VCC	-	Power Supply

ABSOLUTE MAXIMUM RATINGS

Any exceeding absolute maximum rating application causes permanent damage to device. Because long-time absolute operation state affects device reliability. Absolute ratings just conclude from a series of extreme tests. It doesn't represent chip can operate normally in these extreme conditions.

Parameter	Symbol	Ratings	Unit
Power Supply	V _{CC}	6	V
Input Voltage		0 ~ V _{CC}	V
Differential Input Voltage		±6	V
Junction Temperature	T _J	-65 ~ 150	°C
Operating Temperature	T _A	-40 ~ 125	°C
Storage Temperature	T _{STG}	-65 ~ 150	°C
Lead Temperature		260	°C

ELECTRICAL CHARACTERISTICS (5V)

$V_{CC}=5V$, $V_{CM}=2.5V$. Unless otherwise noted, $T_A = 25^{\circ}C \pm 2^{\circ}C$.

Input Characteristics

Parameter	Symbol	Condition	Min	Typ	Max	Unit
Input Offset Voltage	V_{OS}	$A_{VD}=400$		65	300	μV
		$V_{CM}=0V\sim 5V$, $A_{VD}=400$		80	300	
		$-40^{\circ}C \leq T_A \leq 125^{\circ}C$			750	
Input Bias Current	I_B			0.2		pA
Input Offset Current	I_{OS}			0.1		pA
Common-mode Rejection Ratio	CMRR	$A_{VD}=400$, $V_{IC}=0V\sim 5V$	85	95		dB
		$-40^{\circ}C \leq T_A \leq 125^{\circ}C$	75	90		
Input Voltage			0		5	V
Open-loop Voltage Gain	A_{VO}	$A_{VD}=400$, $V_{IC}=0.5V\sim 4.5V$		76		dB
Input Offset Voltage Drift	$\Delta V_{OS}/\Delta T_A$	$-40^{\circ}C \leq T_A \leq 125^{\circ}C$		1.5	10	$\mu V/^{\circ}C$
Input Capacitance	C_{DIFF}			2.6		pF
	C_{CM}			8.8		pF

Output Characteristics

Parameter	Symbol	Condition	Min	Typ	Max	Unit
Output High Voltage	V_{OH}	$V_+=2V$, $V_-=-1V$		4.99		V
Output Low Voltage	V_{OL}	$V_+=1V$, $V_-=-2V$		1.3		mV
Short-circuit Current	I_{SC}	Short to VCC		84		mA
		Short to GND		85		

Power Supply

Parameter	Symbol	Condition	Min	Typ	Max	Unit
Power Supply Rejection Ratio	PSRR	$V_{CC}=2.7V\sim 5.5V$ $V_{CM}=V_{CC}/2$, $A_{VD}=1000$		85		dB
Supply Current/Amplifier	I_{SY}	$V_{CC}=5V$		1.4		mA

Dynamic Characteristics

Parameter	Symbol	Condition	Min	Typ	Max	Unit
Unit Gain Bandwidth	GBP	$A_V=100, V_{PP}=20\text{mV}$		16		MHz
Slew Rate	SR	$A_V=1, V_{PP}=2\text{V}$		13.5		V/ μs

Noise Characteristics

Parameter	Symbol	Condition	Min	Typ	Max	Unit
1/f Noise	e_{np-p}	$f=0.1\text{Hz}\sim 10\text{Hz}$		2.1		μV
Voltage Noise Density	e_n	$f = 1\text{kHz}$		9.5		nV/ $\sqrt{\text{Hz}}$
		$f = 10\text{kHz}$		2.8		
Current Noise Density	i_n	$f = 1\text{kHz}$		0.01		fA/ $\sqrt{\text{Hz}}$

ELECTRICAL CHARACTERISTICS (2.7V)

$V_{CC}=2.7V$, $V_{CM}=1.35V$. Unless otherwise noted, $T_A = 25^{\circ}C \pm 2^{\circ}C$.

Input Characteristics

Parameter	Symbol	Condition	Min	Typ	Max	Unit
Input Offset Voltage	V_{OS}	$A_{VD}=400$		65	300	μV
		$V_{CM}=0V \sim 2.7V$, $A_{VD}=400$		80	300	
		$-40^{\circ}C \leq T_A \leq 125^{\circ}C$			750	
Input Bias Current	I_B			0.2		pA
Input Offset Current	I_{OS}			0.1		pA
Common-mode Rejection Ratio	CMRR	$A_{VD}=400$, $V_{IC}=0V \sim 2.7V$		90		dB
		$-40^{\circ}C \leq T_A \leq 125^{\circ}C$	70	85		
Input Voltage			0		2.7	V
Open-loop Voltage Gain	A_{VO}	$A_{VD}=400$, $V_{IC}=0.5V \sim 2.2V$		66		dB
Input Offset Voltage Drift	$\Delta V_{OS}/\Delta T_A$	$-40^{\circ}C \leq T_A \leq 125^{\circ}C$		1.5	10	$\mu V/^{\circ}C$
Input Capacitance	C_{DIFF}			2.6		pF
	C_{CM}			8.8		pF

Output Characteristics

Parameter	Symbol	Condition	Min	Typ	Max	Unit
Output High Voltage	V_{OH}	$V+=2V, V-=1V$		2.7		V
Output Low Voltage	V_{OL}	$V+=1V, V-=2V$		1.3		mV
Short-circuit Current	I_{SC}	Short to VCC		30		mA
		Short to GND		19.5		

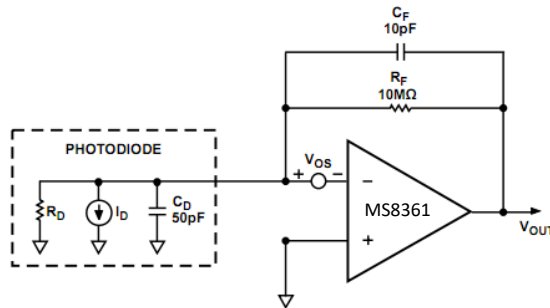
Power Supply

Parameter	Symbol	Condition	Min	Typ	Max	Unit
Supply Current/Amplifier	I_{SY}	$V_{CC}=2.7V$		1		mA

TYPICAL APPLICATION

Photodiode Pre-amplifier

The MS836X serial has the advantages of low offset voltage and low input current. It could be applicable to photodiode area. In addition, the low noise feature provides high sensitivity for application lines.



The input bias current of the amplifier would generate a error item, that is proportional to R_F . And the offset voltage would cause dark current due to shunt resistance R_D . The output terminal of the amplifier indicates the error item. The formula of error voltage is as follows:

$$E_o = V_{OS} \left(1 + \frac{R_F}{R_D} \right) + R_F I_B$$

R_F/R_D could be ignored.

At indoor temperature, for the MS8361, the input bias current of is 0.2pA. The offset voltage is 20μV. The typical value of R_D is 1GΩ.

The error voltage is about 100μV at indoor temperature. Then it increases to 1mV at 85°C.

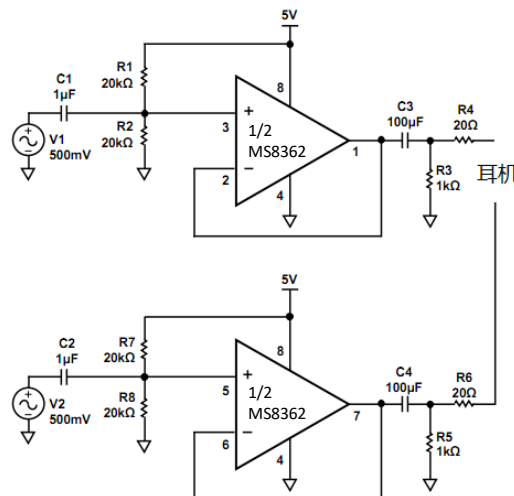
The formula of the maximum realized signal bandwidth is as follows:

$$f_{MAX} = \sqrt{\frac{f_t}{2\pi R_F C_F}}$$

f_t is unity gain infrequency of the amplifier .

Audio and PDA Applications

The MS836X serial is characterized by low distortion and wide dynamic range, which is beneficial to audio and PDA applications, including microphone amplifier and line output buffer.



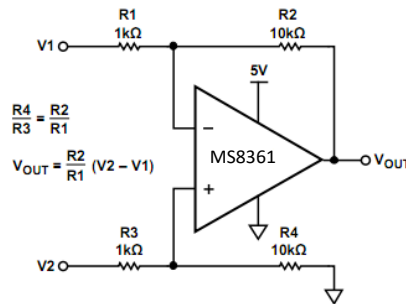
In above diagram, R1 and R2 bias input voltage as half of power supply voltage, thus maximizing signal bandwidth range. C1 and C2 are used to AC couple input signal. C1, R1 and R2 make up a high-pass filter, and the corner frequency is $1/[2\pi(R1 || R2)C1]$. The high output of the MS8362 can drive large resistance load.

The circuit can drive 16Ω earphone as shown above. And the THD+N maintains about -60dB among the whole audio range.

Instrument Amplifier

The MS836X serial has low offset voltage and low noise features and suitable for instrument amplifiers.

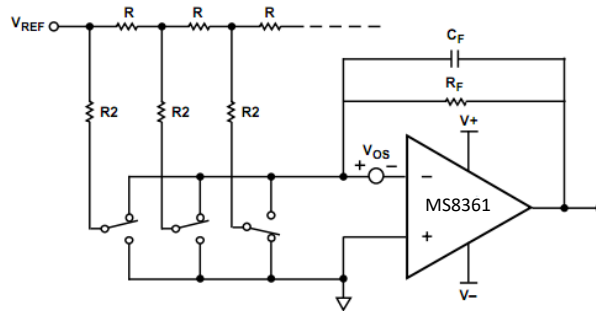
The differential amplifiers are widely applied to high-precision circuits to improve common-mode rejection ratio, which could be up to 85-95dB.

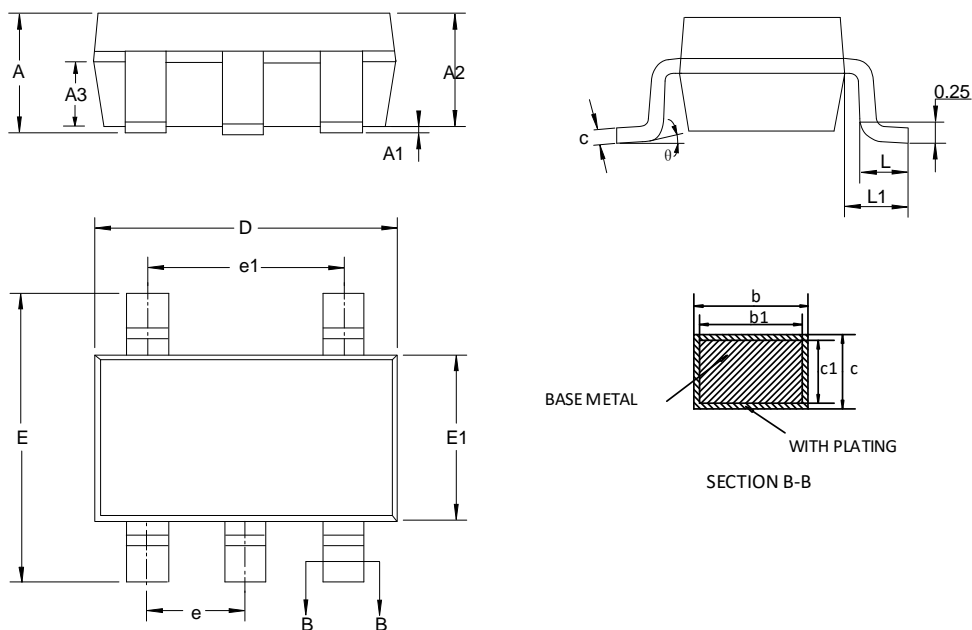


DAC Conversion

The MS836X serial is featured by low bias current and low offset voltage, and it is the optimal selection for output buffer of current output DAC.

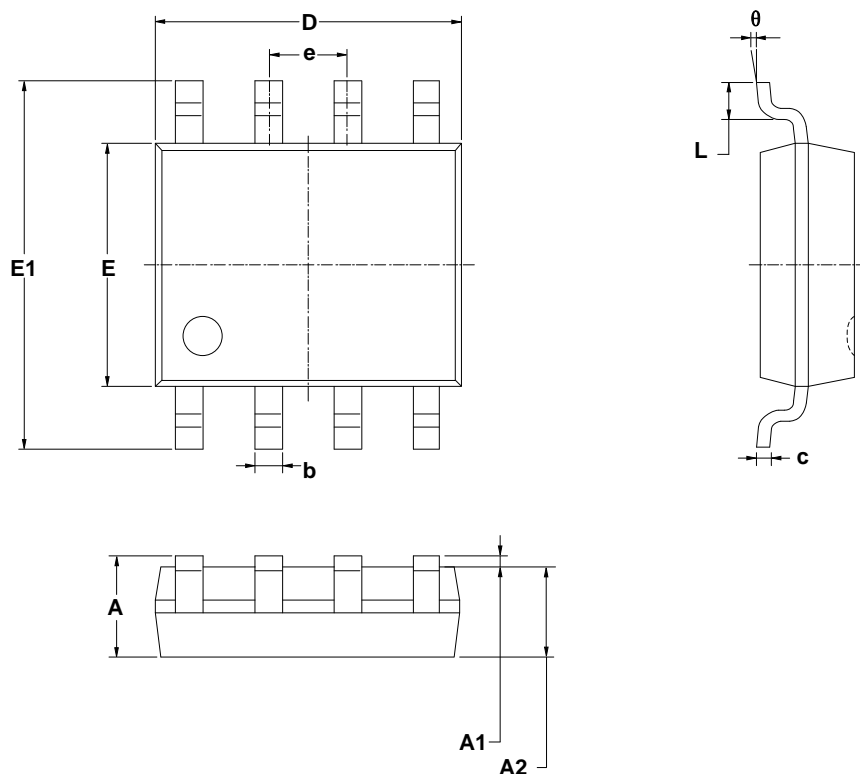
The following diagram is typical structure of the MS8361 applied to the output terminal of 12-bit DAC.



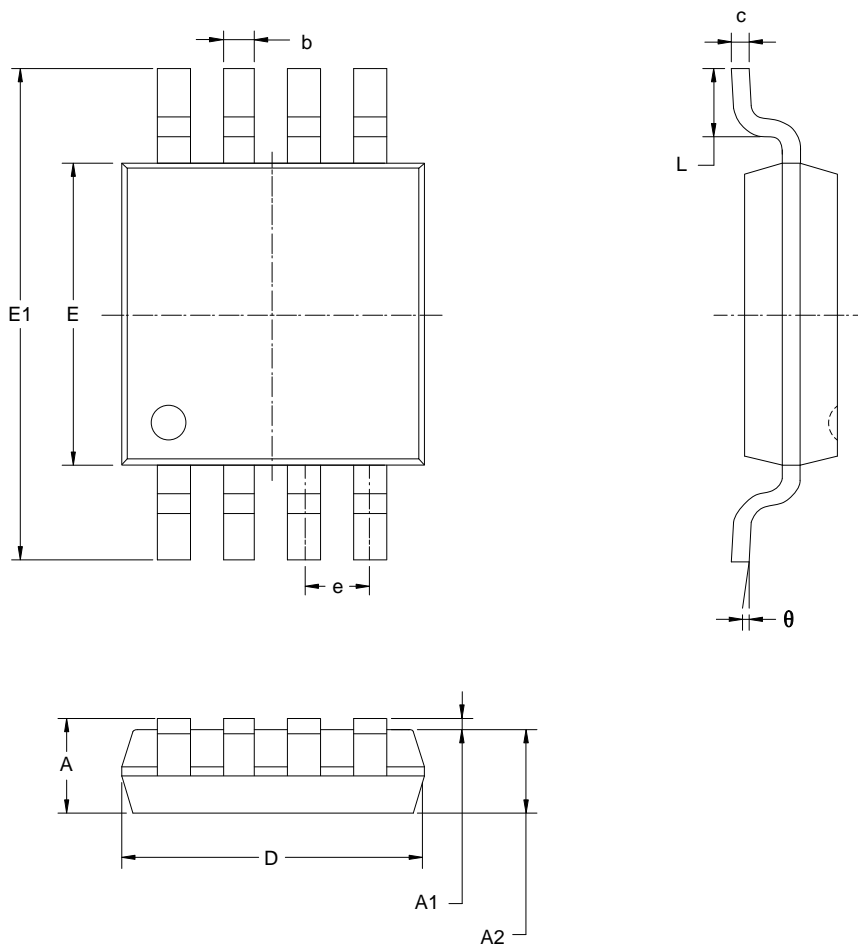
PACKAGE OUTLINE DIMENSIONS
SOT23-5


Symbol	Dimensions in Millimeters		
	Min	Typ	Max
A	-	-	1.25
A1	0.04	-	0.10
A2	1.00	1.10	1.20
A3	0.60	0.65	0.70
b	0.38	-	0.47
b1	0.37	0.40	0.43
c	0.13	-	0.17
c1	0.12	0.13	0.14
D	2.82	2.92	3.02
E	2.60	2.80	3.00
E1	1.50	1.60	1.70
e	0.95BSC		
e1	1.90BSC		
L	0.30	-	0.60
L1	0.60REF		
θ	0°	-	8°

SOP8



Symbol	Dimensions in Millimeters		Dimensions in Inches	
	Min	Max	Min	Max
A	1.350	1.750	0.053	0.069
A1	0.100	0.025	0.004	0.010
A2	1.350	1.550	0.053	0.061
b	0.330	0.510	0.013	0.020
c	0.170	0.250	0.006	0.010
D	4.700	5.100	0.185	0.200
E	3.800	4.000	0.150	0.157
E1	5.800	6.200	0.228	0.244
e	1.27 BSC		0.050 BSC	
L	0.400	1.270	0.016	0.050
θ	0°	8°	0°	8°

MSOP8


Symbol	Dimensions in Millimeters		Dimensions in Inches	
	Min	Max	Min	Max
A	0.820	1.100	0.032	0.043
A1	0.020	0.150	0.001	0.006
A2	0.750	0.950	0.030	0.037
b	0.250	0.380	0.010	0.015
c	0.090	0.230	0.004	0.009
D	2.900	3.100	0.114	0.122
E	2.900	3.100	0.114	0.122
E1	4.750	5.050	0.187	0.199
e	0.650BSC		0.026BSC	
L	0.400	0.800	0.016	0.031
θ	0°	6°	0°	6°

MARKING and PACKAGING SPECIFICATION

1. Marking Drawing Description



Product Name: 8361S, MS8362, MS8362M

Product Code : XXXX, XXXXXX

2. Marking Drawing Demand

Laser printing, contents in the middle, font type Arial.

3. Packaging Specification

Device	Package	Piece/Reel	Reel/Box	Piece /Box	Box/Carton	Piece/Carton
MS8361S	SOT23-5	3000	10	30000	4	120000
MS8362	SOP8	2500	1	2500	8	20000
MS8362M	MSOP8	3000	1	3000	8	24000

STATEMENT

- All Revision Rights of Datasheets Reserved for Ruimeng. Don't release additional notice.
Customer should get latest version information and verify the integrity before placing order.
- When using Ruimeng products to design and produce, purchaser has the responsibility to observe safety standard and adopt corresponding precautions, in order to avoid personal injury and property loss caused by potential failure risk.
- The process of improving product is endless. And our company would sincerely provide more excellent product for customer.

**MOS CIRCUIT OPERATION PRECAUTIONS**

Static electricity can be generated in many places. The following precautions can be taken to effectively prevent the damage of MOS circuit caused by electrostatic discharge:

1. The operator shall ground through the anti-static wristband.
2. The equipment shell must be grounded.
3. The tools used in the assembly process must be grounded.
4. Must use conductor packaging or anti-static materials packaging or transportation.



+86-571-89966911



Rm701, No.9 Building, No. 1 WeiYe Road, Puyan Street, Binjiang District, Hangzhou, Zhejiang



[http:// www.relmon.com](http://www.relmon.com)