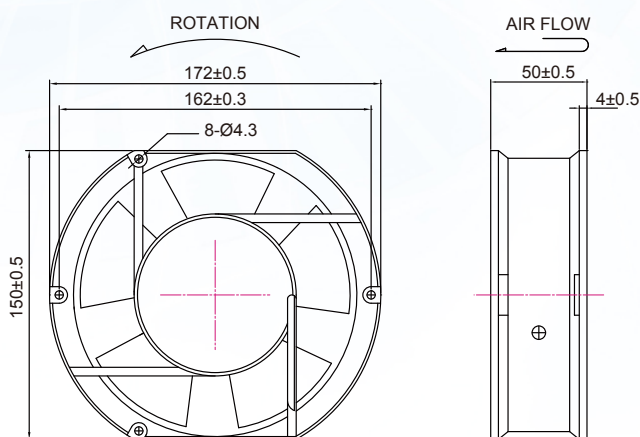


## 17250 【172x150x50 mm】



## AC Fan Series

### Dimensions Drawing



### Specifications

Model	Bearing Type	Rated Voltage	Frequency	Rated Current	Power Consumption	Speed Reference	Air Flow		Static Pressure		Noise	Weight
		VAC	Hz	AMP	Watts	RPM	m3/min	CFM	mmH2O	Inch-H2O	dBA	g
EC17250A1HBX	Ball	115	60	0.44	31	2100	4.81	170	7.8	0.307	42	840
EC17250A1HSX	Sleeve											
EC17250A2HBX	Ball	220/240	50	0.27	35	2500	5.38	190	8.35	0.329	45	840
EC17250A2HSX	Sleeve											

- ▶ X mean : T-Terminal / L - Lead wire
- ▶ Frequency(Hz) : 50 / 60
- ▶ Insulation Resistance : AC 1500V-100MΩ
- ▶ Resist Strength : 1500V/min