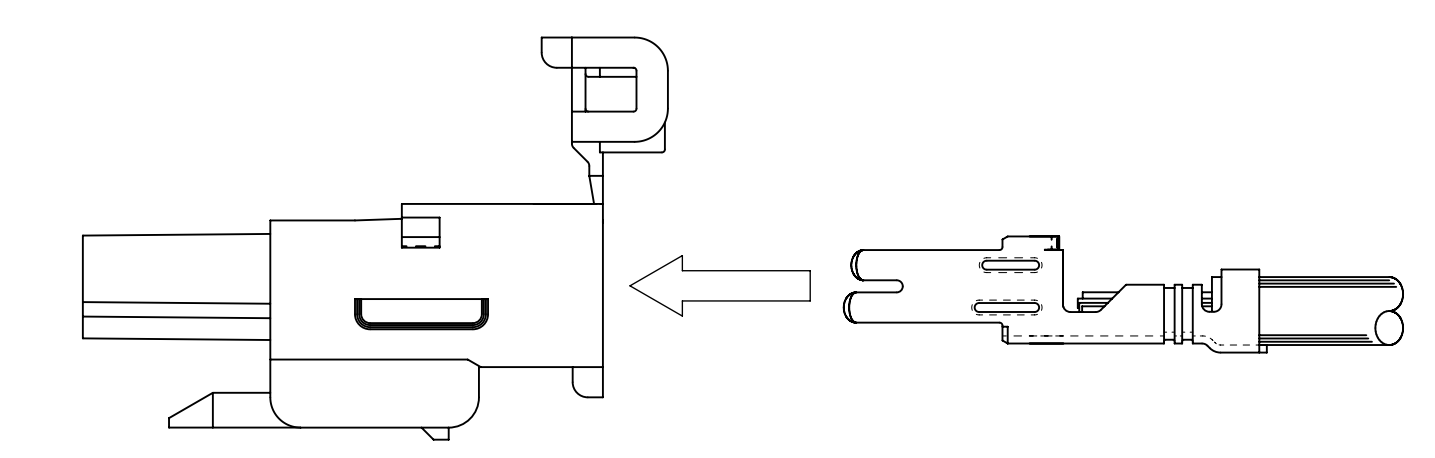
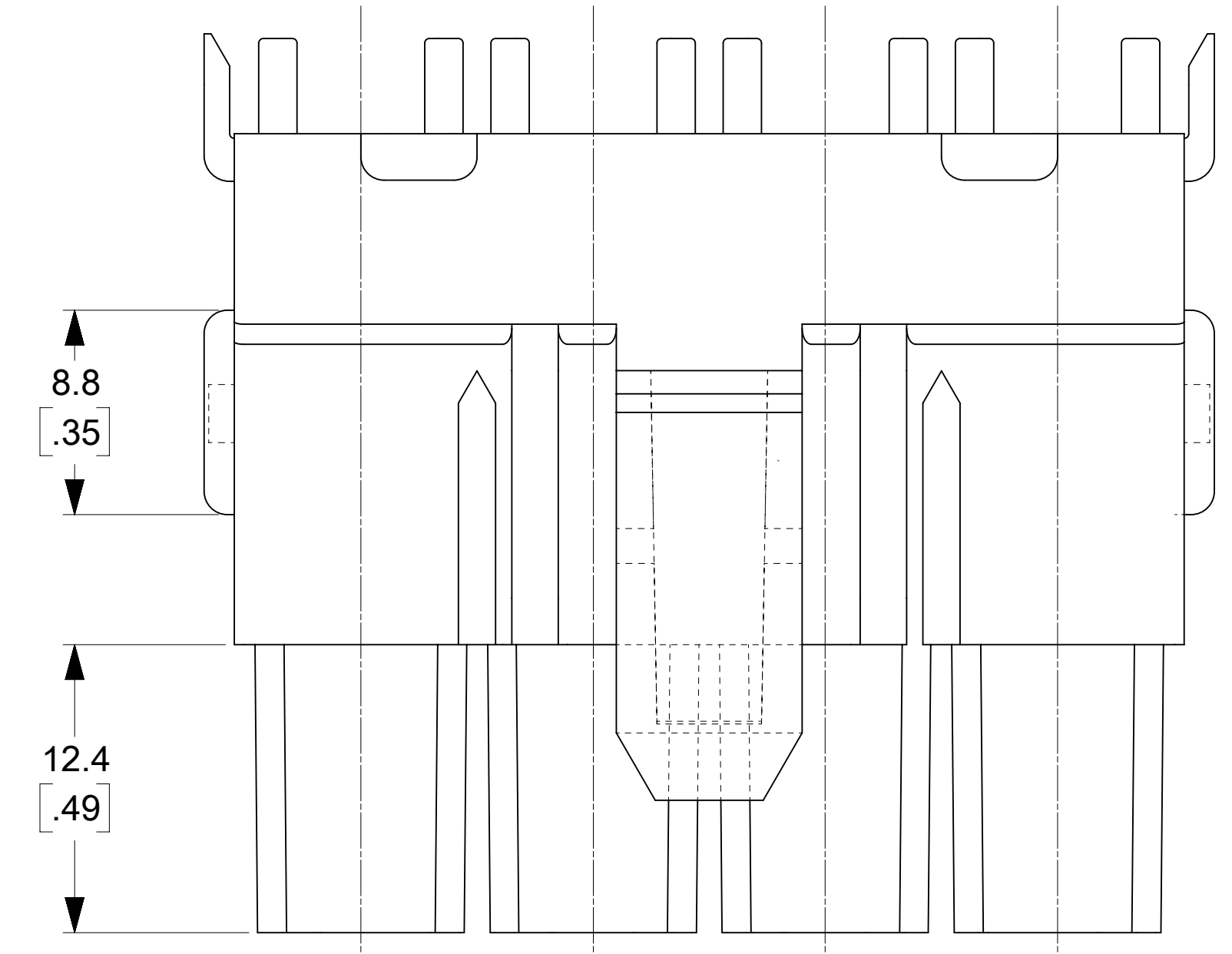
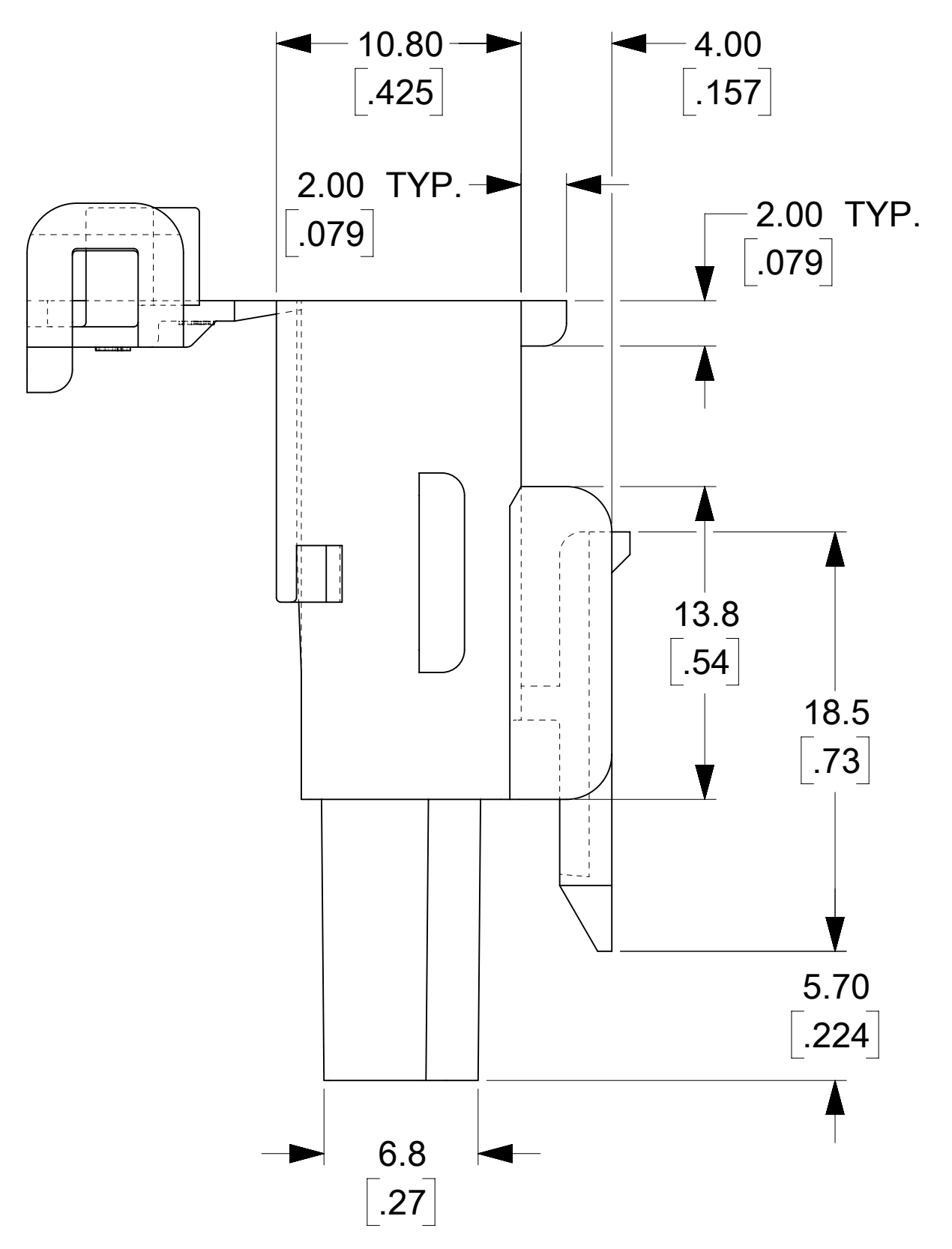
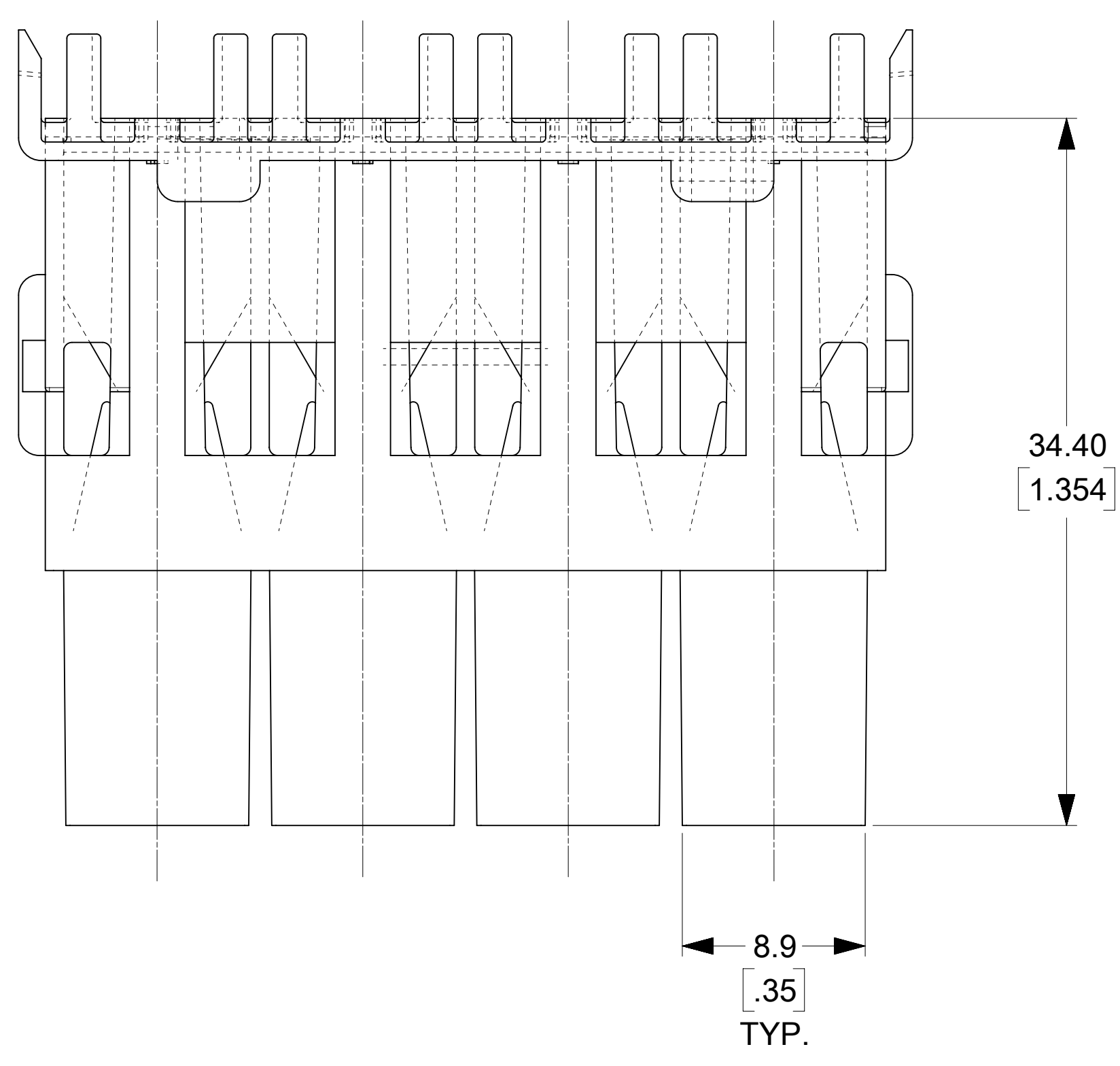
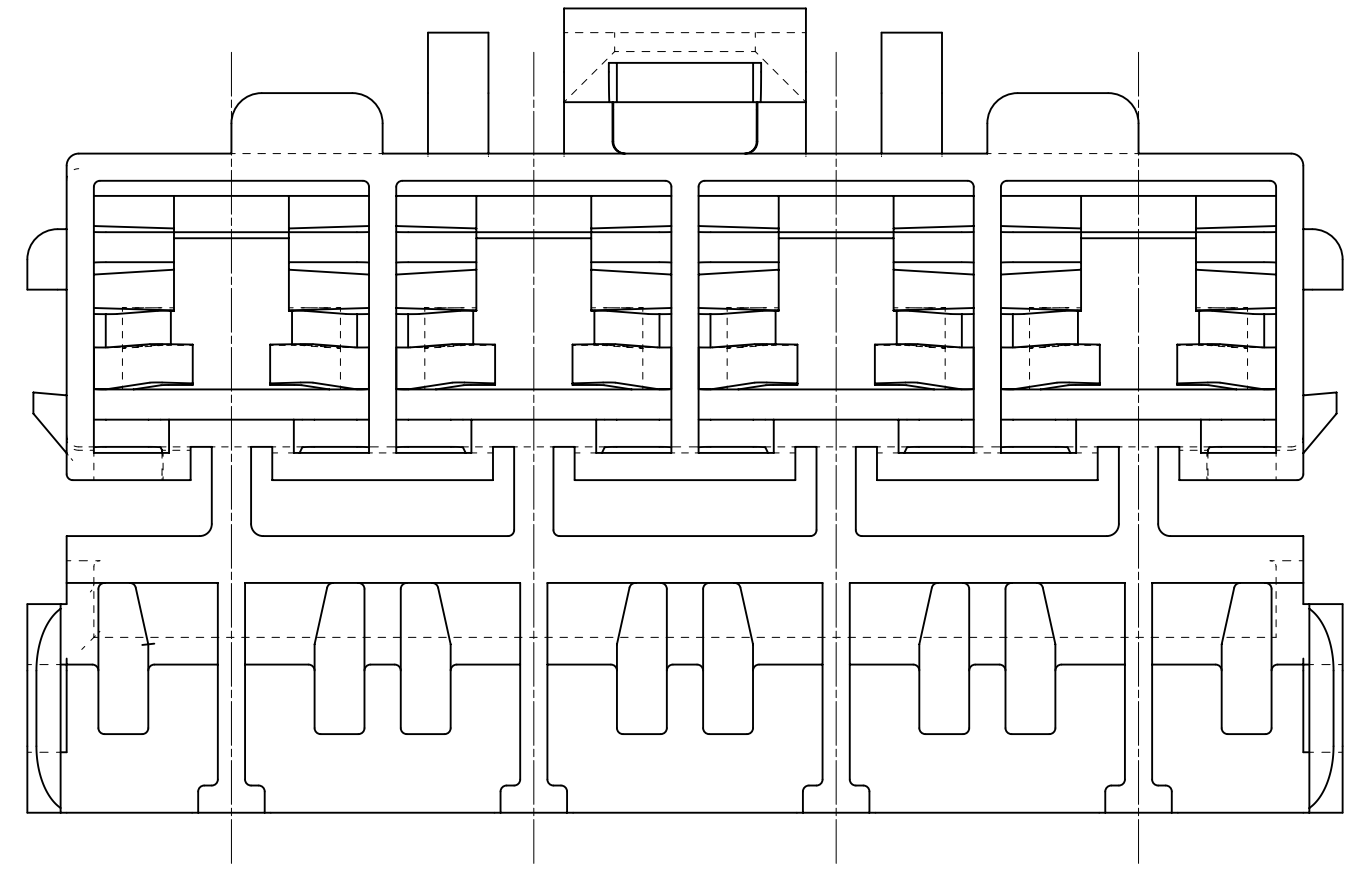
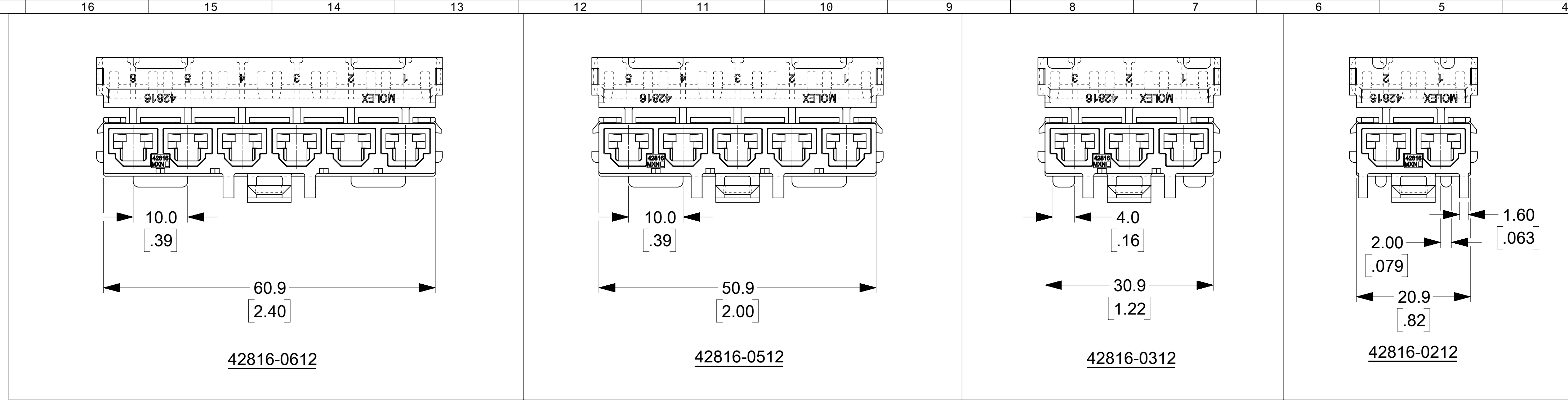
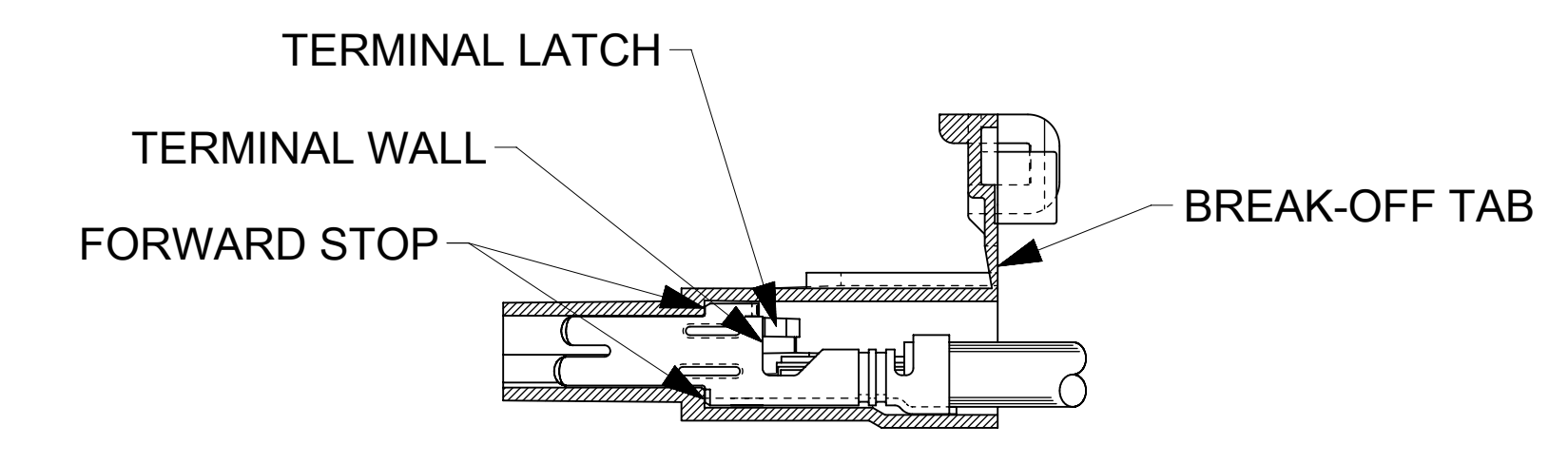


ITEM NUMBER	CIRCUIT SIZE	A
42816-0212	2	12.7
42816-0312	3	19.1
42816-0412	4	25.4
42816-0512	5	31.7
42816-0612	6	38.1

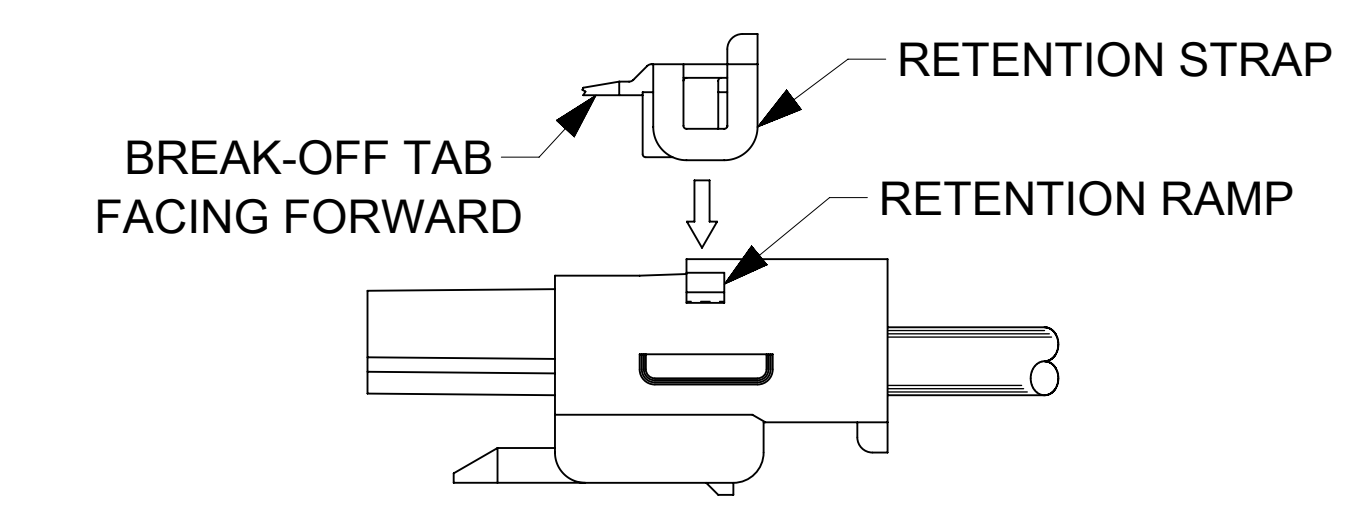
LEGEND:  
 42816- \*\* 1 2  
 CIRCUIT SIZE (02-06)  
 T.P.A. OPTION  
 2 = WITH T.P.A.



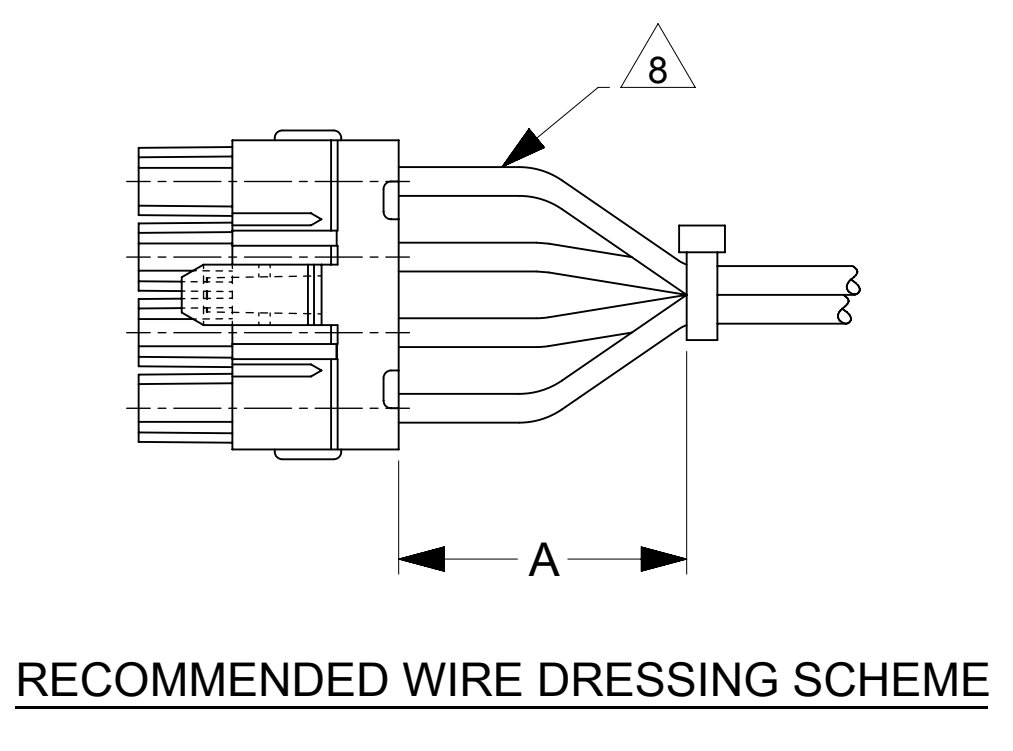
1. TERMINALS ARE TO BE ORIENTATED AND LOADED INTO HOUSING AS SHOWN.



2. TERMINALS ARE LOADED WHEN SEATED AGAINST FORWARD STOP AND TERMINAL LATCHED ARE SNAPPED BEHIND TERMINAL WALLS. RETENTION FORCE AT THIS STAGE = 0.5 Kg.

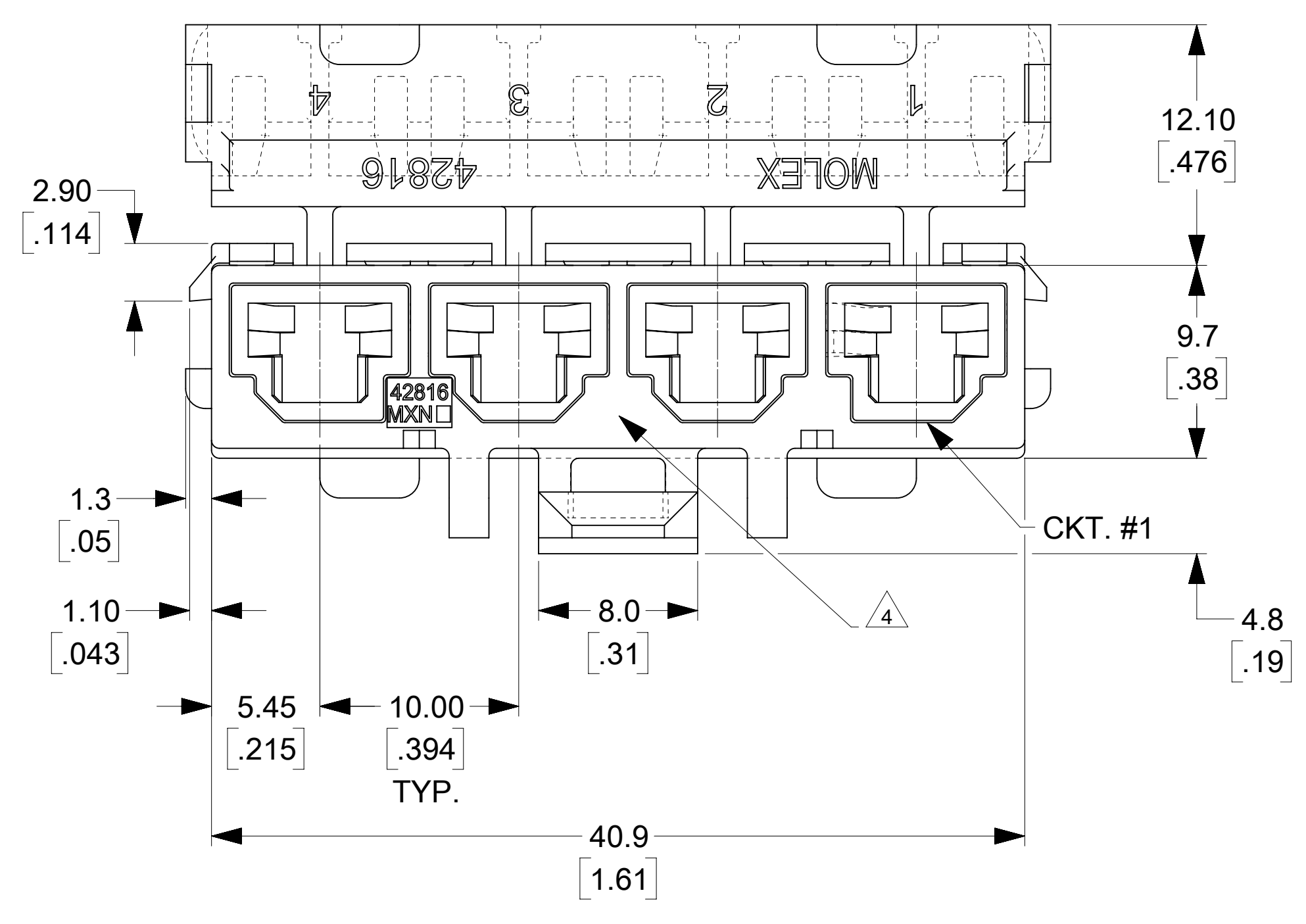
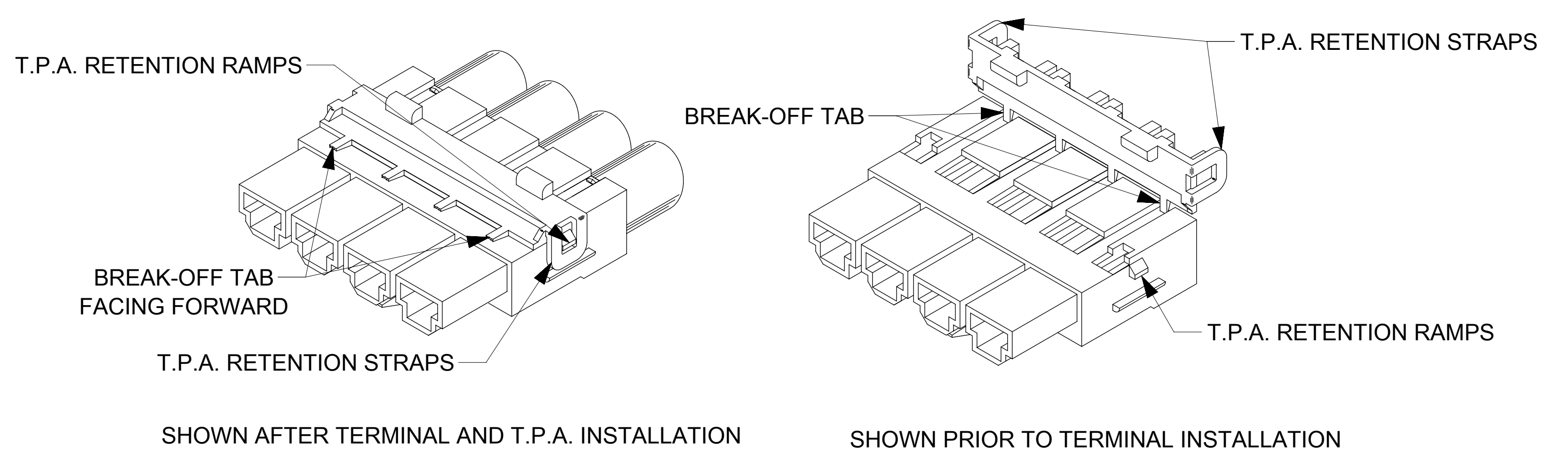


3. AFTER TERMINALS ARE LOADED INTO HOUSING, T.P.A. IS TO BE "BROKEN OFF", ORIENTATED AND INSTALLED IN THE DIRECTION SHOWN UNTIL THE RETENTION STRAPS SNAP OVER THE RETENTION RAMPS. THIS PRODUCT MUST NEVER BE USED WITHOUT THE INSTALLATION OF THE T.P.A.



**\* THIS PRODUCT MUST NEVER BE USED WITHOUT THE T.P.A \***

- NOTES:
- MATERIAL:  
1 = POLYESTER, PBT, U.L. 94V-0, COLOR: MOLDED BLACK.
  - PART IS FOR USE WITH FEMALE CRIMP TERMINAL #42815.
  - PART IS DESIGNED IN METRIC.
  - NO CORE-OUTS UNDER LATCH ON 2, 4 & 6 CIRCUIT PARTS.
  - PART MATES WITH MINI-FIT SR. PLUG 42818-\*\*\*2.
  - ITEM NUMBERS THAT ARE PRECEDED BY AN "X" ARE NOT AVAILABLE.
  - DUE TO THE BREAKAWAY DESIGN OF THE T.P.A. COVER, A FEW MAY HAVE PREMATURELY SEPARATED FROM THEIR HOUSINGS DURING SHIPMENT. IF A HOUSING IS MISSING A T.P.A. COVER, IT CAN BE FOUND IN THE SHIPPING CONTAINER.
  - EACH WIRE MUST BE DRESSED SUCH THAT THE TERMINAL MAINTAINS ITS FREE FLOAT WITHIN THE HOUSING. SEE CHART FOR RECOMMENDED CABLE TIE PALCEMENT.
  - FOR PACKAGING INFORMATION SEE PK-42816-002.
  - THIS DRAWING REPLACES SD-42816-\*\*\*2, REV-E3.



THIS DRAWING CONTAINS INFORMATION THAT IS PROPRIETARY TO MOLEX ELECTRONIC TECHNOLOGIES, LLC AND SHOULD NOT BE USED WITHOUT WRITTEN PERMISSION

DIMENSION UNITS	SCALE	CURRENT REV DESC:	
MM/IN	4:1		
GENERAL TOLERANCES (UNLESS SPECIFIED)		EC NO: 635046	
4 PLACES	±	DRWN: PKH	2020/03/31
3 PLACES	± 0.01	CHK'D: ISHWARG	2020/03/31
2 PLACES	± 0.25 ± 0.016	APPR: ISHWARG	2020/03/31
1 PLACE	± 0.4	INITIAL REVISION:	
0 PLACES	±	DRWN: AELHAG	2010/06/16
ANGULAR TOL	± 0.5 °	APPR: FSMITH	2010/06/29
DRAFT WHERE APPLICABLE MUST REMAIN WITHIN DIMENSIONS		THIRD ANGLE PROJECTION	SERIES
		E-SIZE	42816
		MATERIAL NUMBER	CUSTOMER
		SEE CHART	GENERAL MARKET
		SHEET NUMBER	
		1 OF 1	

**molex**

MINIFIT SR RECEPTACLE HOUSING  
W/TPA 10MM CENTERS

PRODUCT CUSTOMER DRAWING

DOCUMENT NUMBER	DOC TYPE	DOC PART	REVISION
428160002-SD	PSD	000	B1