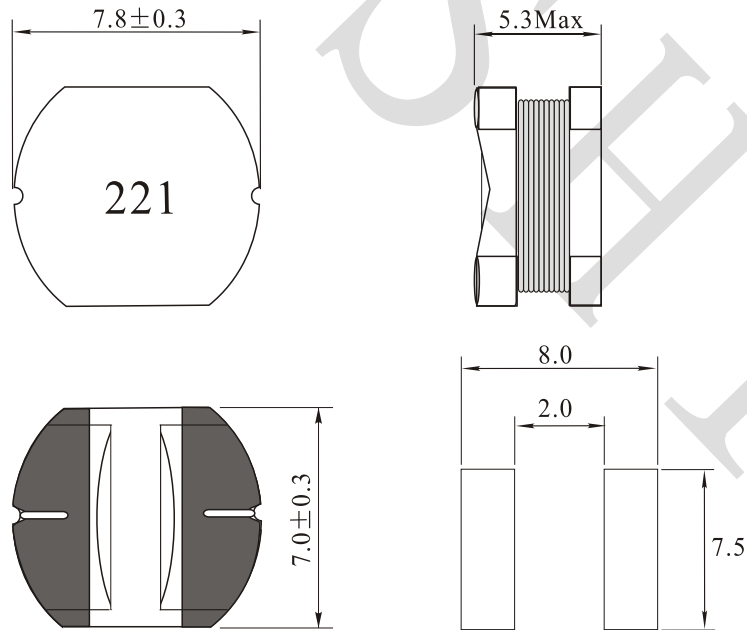
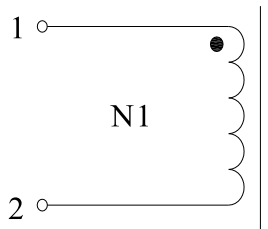


Rev.	Description	Date
A0	New release	2022.12.05

### 1. PHYSICAL CHARACTERISTICS (mm)



### 2. ELECTRONICAL SCHEMATIC



### 3. ELECTRONICAL SPECIFICATIONS

L: 220uH ± 10% @ 1.0KHz, 0.1V

Q: 12 Ref @ 0.796MHz

DCR: 0.96 Ω Max

Isat: 0.8A Max (Inductance drop 10% Max)

Irms: 0.49A Max (Temp. rise 40°C Max)

SRF: 5.0MHz Min

Operating temperature: -40°C to +125°C  
(Including temp. rise 40°C)

Storage temperature: -40°C to +125°C

Test Instrument:

L: HP4284A

RDC: HM2540

Note:

1. Solderability: leads shall meet MIL-STD-202, Method 208D for solderability.
2. Flammability: UL94V-0
3. ASTM oxygen index: >28%

NAME:	Power Inductors		
CUSTOMER P/N:	SDR0805-221KL	DATE:	2022-12-05
SHINHOM P/N:	SDR0705-221K-0.49A	REV: A0	PAGE
DRAWN BY	CHECKED BY	APPROVE BY	



**SHINHOM**  
SHAANXISHINHOM ENTERPRISE CO LTD

The Document property belong to SHINHOM & is not allowed to be duplicated without authorization