

REV	ECN	DESCRIPTION	DRFT	DATE

General information:

- 1.Dimension shall be interpreted per ASME Y14.5-2009
- 2.Tightening torque : /
- 3.Operating temperature: -40°C~+125°C
- 4.Rated current:16A
- 5.Rated voltage:500V
- 6.Rated surge voltage :6KV
- 7.Conductor cross section :0.14-4mm<sup>2</sup>/AWG 26-12
- 8.Grounding footline diameter:0.5-2.5mm<sup>2</sup>/AWG 20-14
- 9.Tightening torque grounding foot:1.2N.m
- 10.Assembly tightening moment:0.6N.m
- 11.Printing coincidence IEC61984
- 12.RoHS2.0 Compliance
- 13.Undimensioned Tolerances:

Pitch Range	In mm		Nominal Dimension Range		mm
	Over	TO	Over	TO	
6	10	10	30	60	0.1/10
10	24	30	60	100	≤
15	±0.20	±0.30	±0.30	±0.50	±1.30
20	±0.30	±0.50	±0.70	±1.00	±2

Material:

Insulator	PC	UL94, V0
Pin insertion	COPPER ALLOY	SILVER,PLATED
Screw	Carbon steel	ZINC,PLATED

HOW TO ORDER:

SME-006-FC

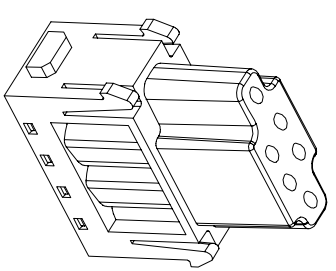
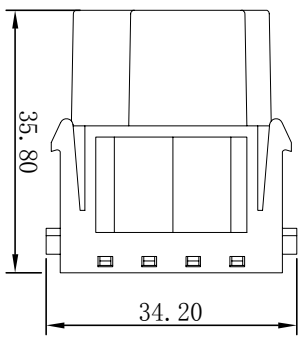
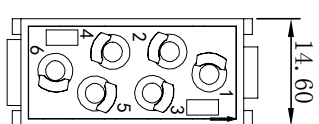
Connection mode \_\_\_\_\_  
 NO.of poies \_\_\_\_\_

- M: Male Screw terminal
- F: Female Screw terminal
- MS: Male spring terminal
- FS: Female spring terminal
- MC: Male crimp terminal
- FC: Female crimp terminal

- A: Compact structure
- E: Standard structure
- EE: Widen standard structure
- D: High Density structure
- DD: Widen High Density structure
- K: Composite structure
- SB: Large current
- Q: Micro drive
- M: Module combination



LOGO



DETACHED LISTS	
THIS DRAWING IS A CONTROLLED DOCUMENT.	NAME: NINGBO SUPU ELECTRONICS CO., LTD. 宁波速普电子有限公司
APVD: _____	DRAWING NO.: SP739129010
CHK: _____	REV: TO-1
DWN: TIANCHIQ4/25/19	SHEET 1/1
THIRD ANGLE PROJECTION	SCALE 1:1
<p style="text-align: center;">CUSTOMER COPY</p> <p style="text-align: center;">Supu reserves the right of product modification and engineering change or the design/AM (INCH)</p> <p style="text-align: center;">DO NOT SCALE DRAWING</p>	