



尺寸 Size: 172mmx150mmx51mm

风量 Airflow: 212-399m³/hr
105-235CFM

重量 Weight: 820g

噪音 Noise: 30-50dBA

风叶 Impeller Material: PBT Thermoplastic Black,UL94-V0

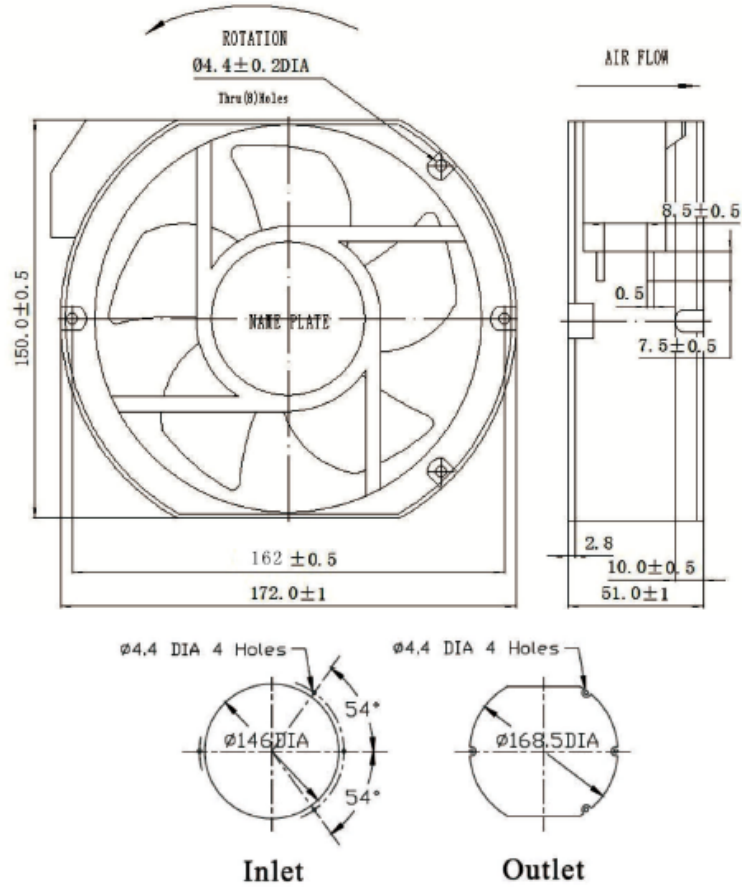
外框 Frame: Aluminum Alloy

端子 Terminals: 0.5mm

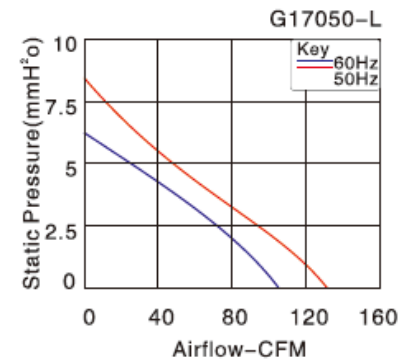
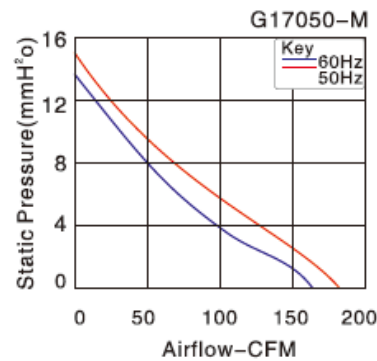
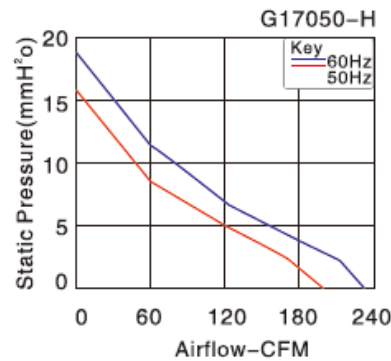
引线 Lead Wire: AWG#22 UL 1569(Optional)

马达 Motor: Shaded Pole Induction Motor

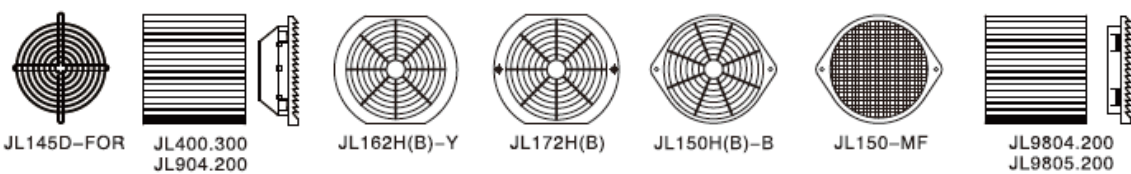
温度范围 Operating Temperature: -10°C~+65°C



Model (型号)	Bearing System (轴承型式)	Voltage VAC (电压)	Freq. Hz (频率)	Current A (电流)	Power W (功率)	Speed RPM (转速)	Noise dBA (噪音)	Air Flow (风量)		Phase (相数)	Capacitor (电容)
								M3/hr	CFM		
G17050HA,S	Sleeve	100/125	50/60	0.50/0.45	37/36	2700/3100	45/50	323/399	190/235	1	/
G17050HA,S		200/240	50/60	0.22/0.21	34/33	2700/3100	45/50	323/399	190/235	1	/
G17050HA,S		380/420	50	0.11	34	2700	45	323	190	1	/
G17050HA,B	Ball	100/125	50/60	0.50/0.45	37/36	2700/3100	45/50	323/399	190/235	1	/
G17050HA,B		200/240	50/60	0.22/0.21	34/33	2700/3100	45/50	323/399	190/235	1	/
G17050HA,B		380/420	50	0.11	34	2700	45	323	190	1	/
G17050MA,S	Sleeve	100/125	50/60	0.41/0.39	32/30	2400/2300	41/40	288/271	170/160	1	/
G17050MA,S		200/240	50/60	0.19/0.18	30/28	2400/2300	41/40	288/271	170/160	1	/
G17050MA,S		380/420	50	0.09	30	2400	41	288	170	1	/
G17050MA,B	Ball	100/125	50/60	0.41/0.39	32/30	2400/2300	41/40	288/271	170/160	1	/
G17050MA,B		200/240	50/60	0.19/0.18	30/28	2400/2300	41/40	288/271	170/160	1	/
G17050MA,B		380/420	50	0.09	30	2400	41	288	170	1	/
G17050LA,S	Sleeve	100/125	50/60	0.35/0.35	26/25	1900/1500	32/30	212/178	125/105	1	/
G17050LA,S		200/240	50/60	0.16/0.16	26/25	1900/1500	32/30	212/178	125/105	1	/
G17050LA,S		380/420	50	0.07	26	1900	32	212	125	1	/
G17050LA,B	Ball	100/125	50/60	0.35/0.35	26/25	1900/1500	32/30	212/178	125/105	1	/
G17050LA,B		200/240	50/60	0.16/0.16	26/25	1900/1500	32/30	212/178	125/105	1	/
G17050LA,B		380/420	50	0.07	26	1900	32	212	125	1	/



Fan Accessories



JULONG MOTOR
AC DC FANS COOLING FANS



UL
E248719



18

Http://www.xtgygs.cn
如無特殊电压也可相通的提供，本公司保留技术更改权利。
Special voltage may be provided if necessary according to the inquiry. All technical modification rights reserved.