



SPECIFICATION FOR APPROVAL

DESCRIPTION : Transformer
 SPECIFICATION : EFD25-414uH
 PART NO. : FWPTEFD25H411J-2
 ISSUE DATE : 03 September 2021

MANUFACTURER APPROVAL		
PREPARED	CHECKED	APPROVED
工程部 夏晓凯 2021.09.03	工程部 潘玉财 2021.09.03	工程部 王永生 2021.09.03

CUSTOMER APPROVAL		
RECEIPT	CHECKED	APPROVED

Haining Ferriwo Electronics Co., Ltd.

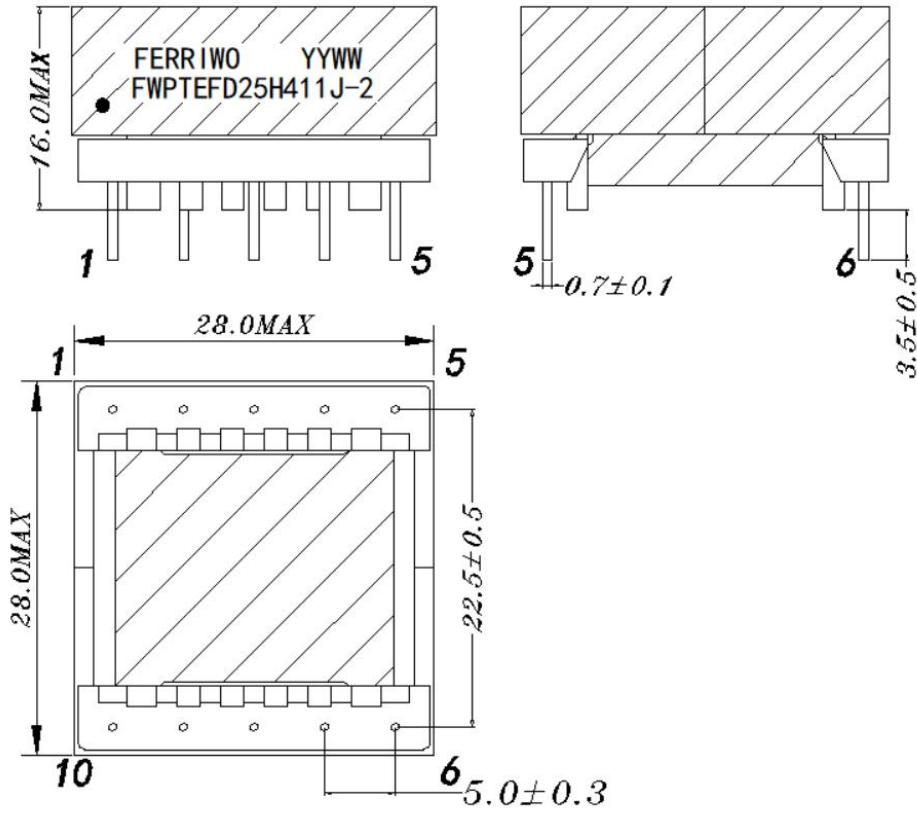
Address: Block 13, Caohejing Technology Park, No.8,
 Haining Avenue, Haining, Zhejiang , China

TEL: +86-573-87088701 FAX: +86+573-87081130

www.ferriwo.com sales@ferriwo.com

SPECIFICATION

1. PHYSICAL DIMENSION(UNIT: m/m):



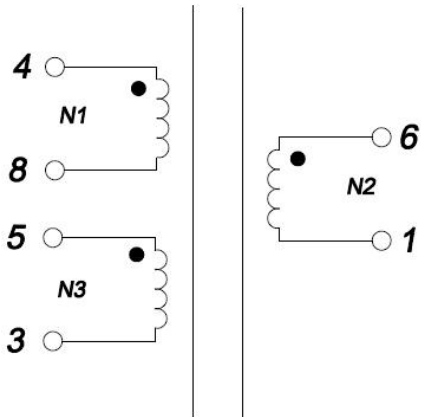
LEAD FREE

- *.Core fix tape 2Ts tape .
- *.The Label is placed on the product(see the picture above).
- *.Marked the **PIN #1** by black dot!

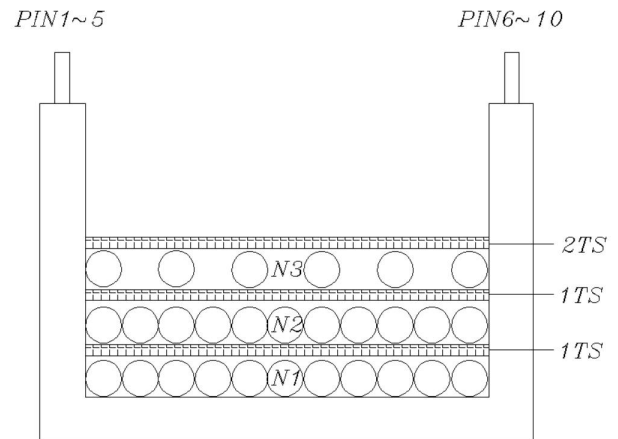
DIM	A	B	C	D	E	F	G	H				
SPEC												
						DESCRIPTION			TRANSFORMER			
						Customer P/N			EFD25-414uH			
						FERRIWO P/N			FWPTEFD25H411J-2			
SPEC. NO.	PS-2021-077				PREPARED	夏晓凯 2021.09.03		APPROVED	王永生 2021.09.03			

SPECIFICATION

2. SCHEMATIC DIAGRAM:



3. CROSS SECTION:



4. WINDING TABLE:

Winding NO.	Margin Tape	PIN	Wire & Wire Copper	Turns	Winding Type	Tape Layer (0.05mm)	Tube
N1		4-8	0.28 ϕ x1P	48Ts	CLOSE	1Ts	
N2		6-1	0.28 ϕ x1P	48Ts	CLOSE	1Ts	
N3		5-3	0.28 ϕ x1P	8Ts	SPREAD	2Ts	

NOTE:

- Products should be vacuum varnish.
 - *VARNISH RATIO:1:2
 - *VACUUM TIME:15~20minutes
 - *BAKED TEMPERATURE:120°C±10°C,1~1.5huors

LEAD FREE

FERRIWO

DESCRIPTION	TRANSFORMER
Customer P/N	EFD25-414uH
FERRIWO P/N	FWPTEFD25H411J-2

SPEC. NO.	PS-2021-077	PREPARED	夏晓凯 2021.09.03	APPROVED	王永生 2021.09.03
-----------	-------------	----------	-------------------	----------	-------------------

SPECIFICATION

4/5

5. ELECTRONICAL CHARACTERISTIC:

TEST CONDITION : TEMPERATURE AT 25°C
HUMIDITY AT 65 ±5% RH

TEST ITEM	TEST CONDITION	RESULT
INDUCTANCE CH-3250	@1KHz,0.3V (4~8)	414uH±5%
HI-POT TEST CH-9052	@ 2mA 3SEC (AC)	N1<->N3 1.0 KV; N1,N2<->N3 1.5KV;

NOMINAL RATED POWER - 100 VA

LEAD FREE



DESCRIPTION

TRANSFORMER

Customer P/N

EFD25-414uH

FERRIWO P/N

FWPTEFD25H411J-2

SPEC. NO.

PS-2021-077

PREPARED

夏晓凯
2021.09.03

APPROVED

王永生
2021.09.03

SPECIFICATION

5/5

6. MATERIAL LIST :

ITEM	MATERIAL	SUPPLIER OR MANUFACTURER	TEMPRATING	
1	CORE EFD25/26/9	FW95 OR EQUIVALENT	HAINING FERRIWO ELECTRONICS CO., LTD.	
2	BOBBIN EFD25 (5+5)	PHENOLIC OR EQUIVALENT	CHANG CHUN PLASTICS CO., LTD. UL NO E59481	150°C
3	WIRE	2UEW-F	PACIFIC ELECTRIC WIRE&CABLE(SHENZHEN) CO. LTD UL NO E84081	155°C
4	TAPE	CT280	YAHUA STICKING TAPE CO.,LTD UL NO E165111	130°C
5	VARNISH	BC-346A	JOHN C DOLPH CO BC-346A UL NO E317427	130°C
6	FLUX	TF9100	LINAN GUITONG CHEMICAL TECHNICAL CO.,LTD	
7	TIN	Sn99.3Cu0.7	HAINING ZHUCHANG METAL FOIL CO;LTD	

LEAD FREE



DESCRIPTION	TRANSFORMER
Customer P/N	EFD25-414uH
FERRIWO P/N	FWPTEFD25H411J-2

SPEC. NO.	PS-2021-077	PREPARED	夏晓凯 2021.09.03	APPROVED	王永生 2021.09.03
-----------	-------------	----------	-------------------	----------	-------------------