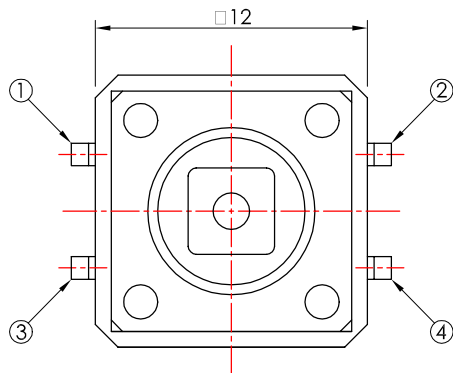
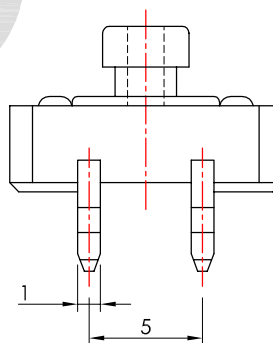
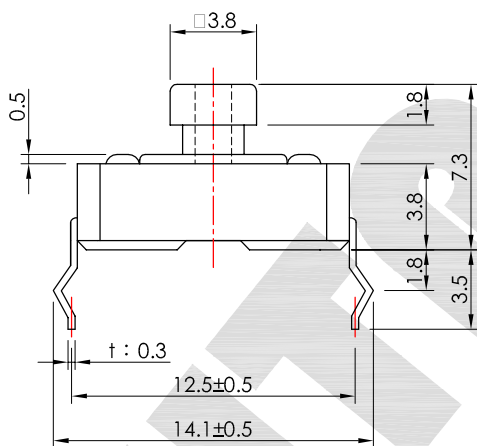
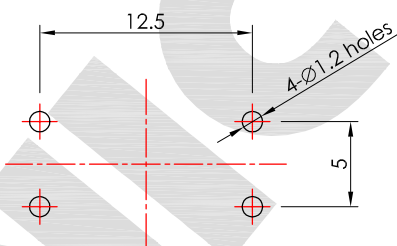


本圖面若與目錄之規格尺寸不符，以本圖面規格尺寸為主。
Below is our main specification if different from catalog.

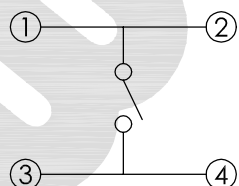
RoHS compliant



P.C.B LAYOUT



CIRCUIT DIAGRAM



RoHS compliant

1273HIM-XXXG-G

OPERATING FORCE
160, 250

SPECIFICATION

- Rating: 50mA 12V DC Max.
- Circuit: SPST.
- Travel: 0.3±0.15mm.
- Contact resistance: 100mΩ Max.(initial)
- Operating force: 160±50g.
- Minimum load: 10mA 3.3V DC. (reference only)
- Life: 100,000 Cycles Min.
- Soldering temperature: 250° C Max for 3 Sec.
- Soldering time: 1 time only.
- Note: Not washable, don't immerse into epoxy and organic solvent.



V2.1	△		
V2.0	無	新繪製	2008.09.08
版本 VER.	符號 SYMBOL	修改內容 ALTERATION	更新日期 DATE

產品 PRODUCT		Tact Switch		型號 MODEL NO.		1273HIM-160G-G	
比例 SCALE	3:1	單位 UNIT	mm	<p>一綺電子企業股份有限公司</p> <p>總公司：110 台北市信義路四段415號13樓之3 13F-3 NO. 415, SEC. 4, HSIN YI ROAD, TAIPEI, TAIWAN TEL : 886-2-27290229 (Rep.) FAX : 886-2-27582086 URL : http://www.switronic.com.tw E-MAIL : switches@ms36.hinet.net</p>			
公差 TOLERANCE	±0.3mm						
製圖 DRAWN BY	核圖 CHECKED BY	主管 APPROVED BY					
Jack Liao	Alex Lin	Margaret Lee					