

Potentiometer

Cermet Potentiometer Series

KLS4-3224 Cermet Potentiometer Series

Electrical Characteristics

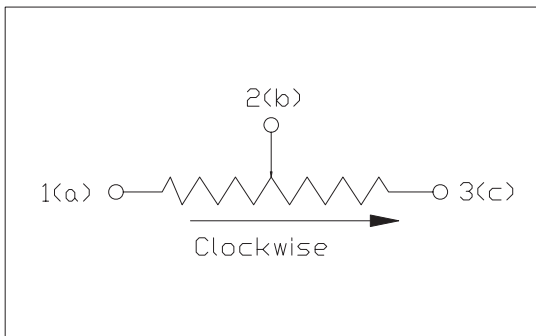
Standard Resistance Range: 10Ω~ 2MΩ
 Resistance Tolerance:±10%
 Terminal Resistance:≤1% R or 2Ω Max.
 Contact resistance variation:CRV ≤1% R or 3Ω Max.
 Insulation Resistance:R_i≥1GΩ
 Withstand Voltage:101.3kPa 600V, 8.5kPa 350V
 Electrical Travel:11 turns nom

Environment Characteristics

Power Rating (300 volts max.):+85°C 0.25W,+150°C 0W
 Temperature Range:-65°C ~ +150°C
 Temperature Coefficient:±250ppm/°C;±100ppm/°C
 Temperature Variation: ΔR ≤ ±1% R, Δ(Uab / Uac) ≤ ±1%
 Vibration:390m/s²,4000 times
 Collision:10 ~ 500Hz,0.75mm,or 98m/s²,6h
 Climate Category:ΔR≤3% R, R₁≥100MΩ
 Electrical Endurance at 85°C: 0.25W,1000h,ΔR≤ ±10% R
 Mechanical Endurance:200cycles,ΔR≤ ±10% R
 Steady Damp-Heat:ΔR≤ ±3% R,R₁≥100MΩ

Physical Characteristics

Total mechanical travel:11 turns nom
 Starting torque:≤35mN.m
 Standard packaging:50pcs/tube



| Resistance (Ω) | Code |
|----------------|------|
| 10 | 100 |
| 20 | 200 |
| 50 | 500 |
| 100 | 101 |
| 200 | 201 |
| 500 | 501 |
| 1000 | 102 |
| 2000 | 202 |
| 10000 | 103 |
| 20000 | 203 |
| 50000 | 503 |
| 100000 | 104 |
| 200000 | 204 |
| 500000 | 504 |
| 1000000 | 105 |
| 2000000 | 205 |

ORDER INFORMATION

Product NO.: KLS4-3224 W-103

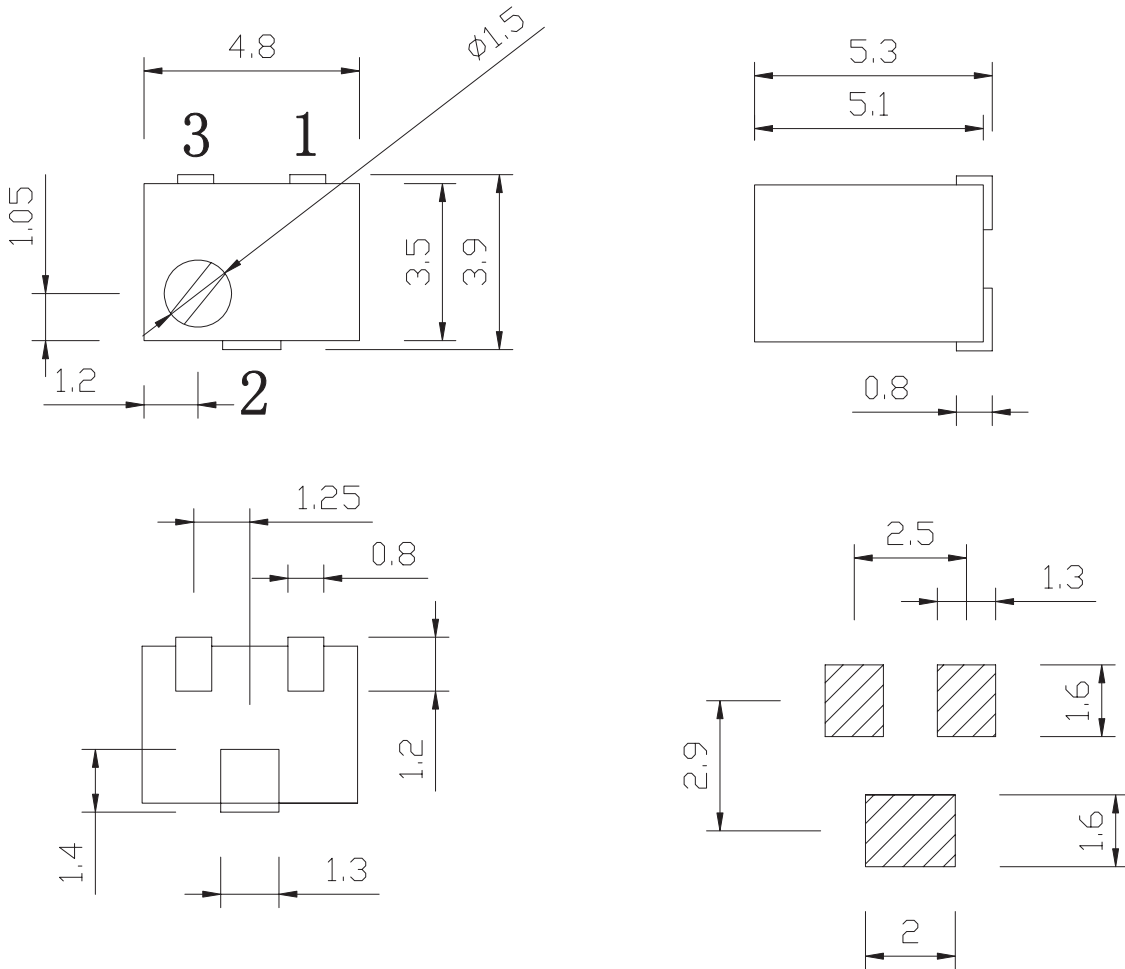
Pos. NO. _____ 103:Resistance Code
 3224:Model _____ W:Style

Cermet Potentiometer Series

KLS4-3224 Cermet Potentiometer Series



3224W



PCB Layout

ORDER INFORMATION

Product NO.: KLS4-3224 W-103

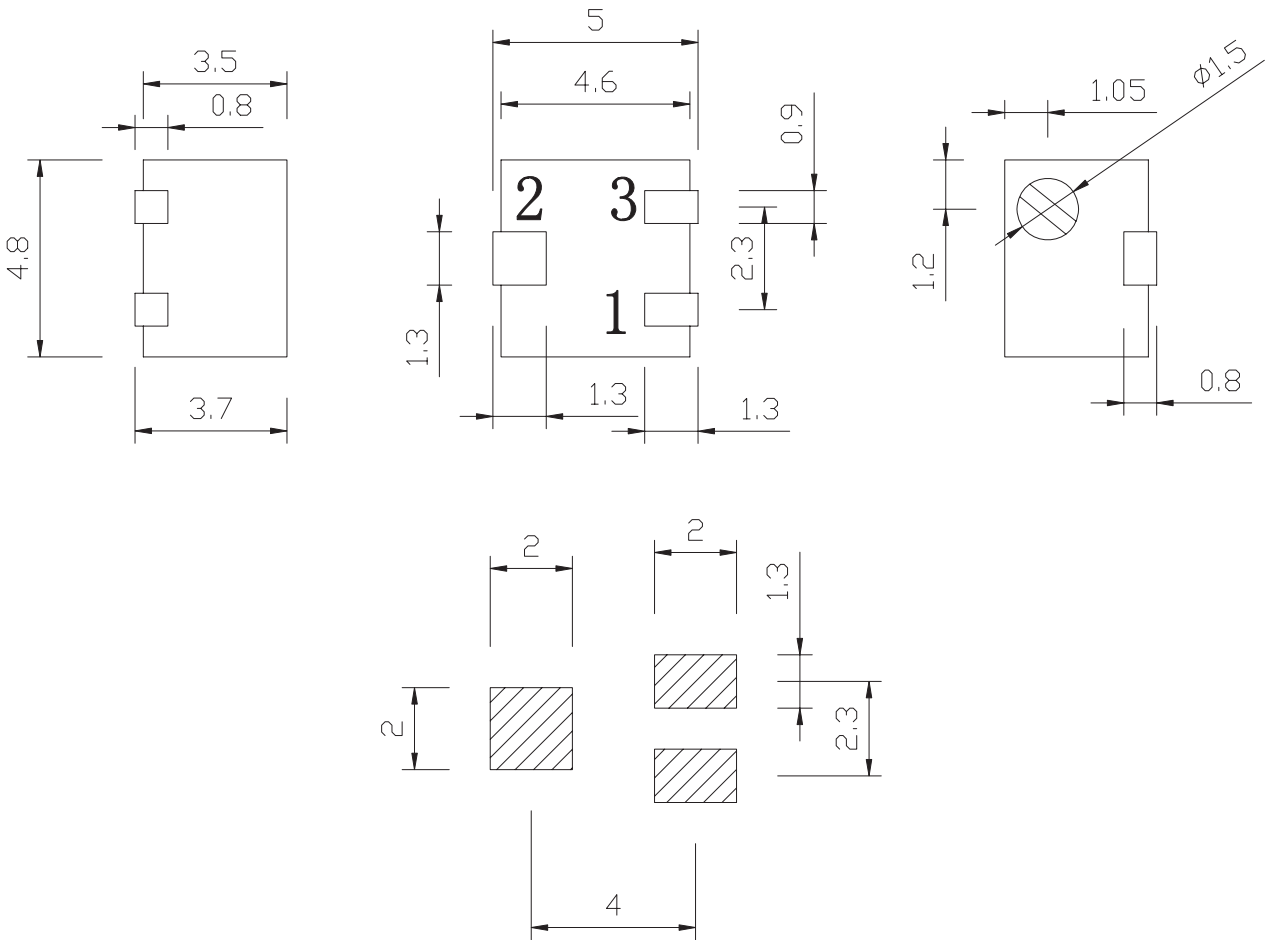


Potentiometer

Cermet Potentiometer Series

KLS4-3224 Cermet Potentiometer Series

3224J



ORDER INFORMATION

Product NO.: KLS4-3224 J -103

Pos. NO. _____ 103:Resistance Code
3224:Model _____ J:Style