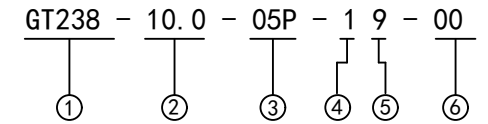


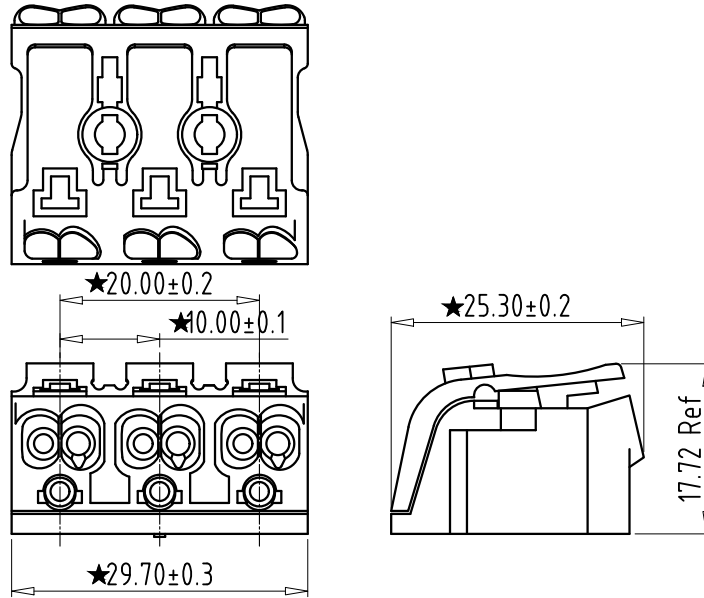
REV	CONTENT	CHK	DATE
V0.0	CONTENT	YL	22.10.17

Electrical :

1. Rated Voltage : 450V
2. Rated Current : 16A
4. Wire Range: 0.75-2.5mm<sup>2</sup>
5. Stripping Length : 8-10mm
6. Withstanding Voltage : AC2500V/1Min.
7. Operating Temperature : -40°C~+105°C
8. RoHS Compliance
9. "★" is the key quality control point



- ① Series NO.      ④ 1 Single Pitch  
                              2 Double Pitch
- ② Pitch                      ⑤ Color: 1 Grey  
  2 Blue  
  3 Black  
  4 Green  
  5 Orange  
  6 Red  
  7 Transparent  
  8 Yellow  
  9 White
- ③ Poles  
02 02Contacts  
03 03Contacts  
...  
24 24Contacts
- ⑥ Customer Request: 00--Standard



Total Pitch Tolerances in mm										Nominal dimension range in mm										⊥	=	-	//				
over	over	over	over	over	over	over	over	over	over	over	over	over	over	over	over	over	over	over	over	0	over	0	over	0	over	0	over
to	to	to	to	to	to	to	to	to	to	to	to	to	to	to	to	to	to	to	to	10	all	to	to	to	to	150	
0	30	53	70	90	115	150	250	350	500	0	30	53	70	90	115	150	200	250	320	0	over	0	over	0	over	0	over
±0.18	±0.20	±0.25	±0.3	±0.35	±0.44	±0.60	±0.70	±0.85	±0.20	±0.25	±0.30	±0.35	±0.44	±0.55	±0.70	±0.80	±0.90	0.2	0.3	0.3	0.2	0.3	0.5				

3	BLOCK	XX	3	Brass	Ni Plated	
2	SPRING	XX	3	Stainless Steel	/	
1	HOUSING	XX	1	PA66 UL94V-0	SEE NOTE	
ITEM	NAME OF PART		NO. OF PART		Q'TY	
DWG.	YL	DATE	22.10.17		SIZE	
CHK.	DATE		SCALE		1:1	
APP.	DATE		NAME		GT238-10.0-03P-19-00	
宁波冠泰电子有限公司 NINGBO GOLTEN ELECTRONICS CO., LTD.					DWGNO.	XXXX