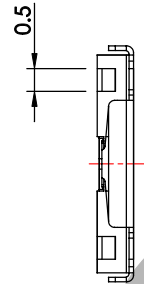
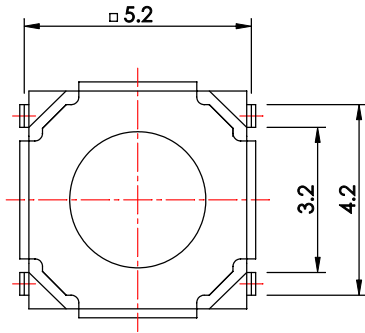


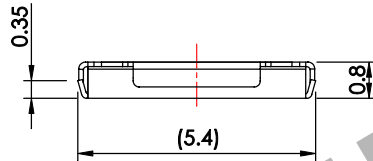
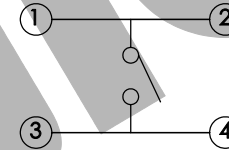
版本：V2.2

本圖面若與目錄之規格尺寸不符，以本圖面規格尺寸為主。
Below is our main specification if different from catalog.

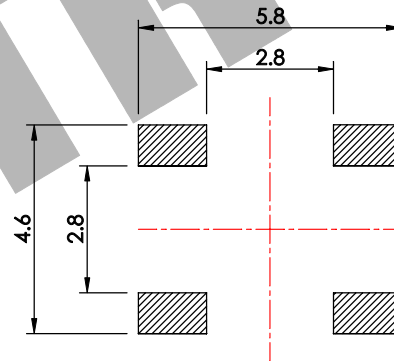
RoHS compliant



CIRCUIT DIAGRAM



P.C.B LAYOUT



SPECIFICATION

Rating: 50mA 12V DC.

Travel: 0.25±0.1mm.

Contact resistance: 100mΩ Max.

Operating force: 160±50g.

Minimum load: 10mA 3.3V DC.

Operating life: 100,000 Cycles.

Soldering temperature: 250°C Max. for 3 sec.

Soldering time: 1 time only.

Note: Unwashable, don't be immersed by epoxy and organic solvent.

產品 PRODUCT		Tact Switch		型號 MODEL NO.	IT-1187UN-160G-G
製圖 DRAWN BY	核圖 CHECKED BY	主管 APPROVED BY	單位 UNIT	mm	
Peter Kuo	Chuck Young	Margaret Lee	比例 SCALE	6 : 1	
			公差 TOLERANCE	±0.3mm	

SWITRONIC[®]
INDUSTRIAL CORP.
Switches



一綺電子企業股份有限公司

總公司：110 台北市信義路四段415號13樓之3

13F-3 NO. 415, SEC. 4, HSIN YI ROAD, TAIPEI, TAIWAN

TEL : 886-2-27290229 (Rep.) FAX : 886-2-27582086

URL : <http://www.switronic.com.tw>

E-MAIL : switches@ms36.hinet.net