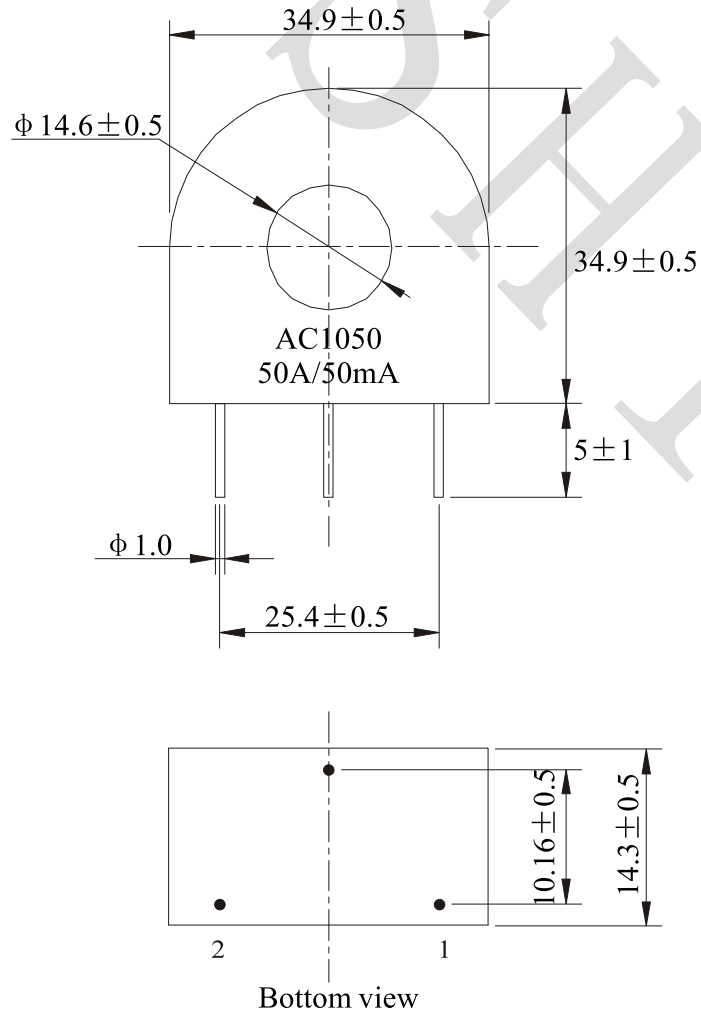
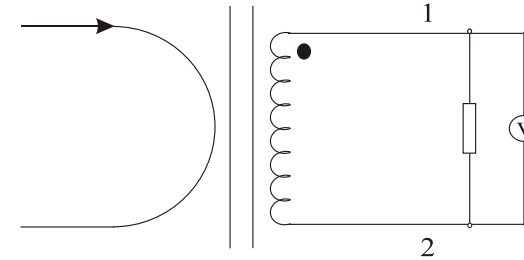


Rev.	Description	Date
A0	New release	2021.11.02

### 1. PHYSICAL CHARACTERISTICS (mm)



### 2. ELECTRONICAL SCHEMATIC



### 3. ELECTRONICAL SPECIFICATIONS

Turns ratio: 1000:1  
 Rated current: 50A  
 Output current: 50mA@50A Input  
 Hi-Pot: Pri to Sec AC4KV 1mA 1Min  
 RDC:  $49.3 \Omega \pm 15\%$ @T=20°C  
 Storage temperature: -55°C to +130°C

#### NOTES:

Temp 20°C 48%RH  
 RoHS Compliant

NAME:	Current transformer		
CUSTOMER P/N:	AC1050	DATE:	2021-11-02
SHINHOM P/N:	ACST012C-50A-50mA	REV: A0	PAGE: 1/1
DRAWN BY	CHECKED BY	APPROVE BY	



**SHINHOM**  
 SHAANXISHINHOM ENTERPRISE CO.LTD

The Document property belong  
 to SHINHOM & is not allowed to be  
 duplicated without authorization