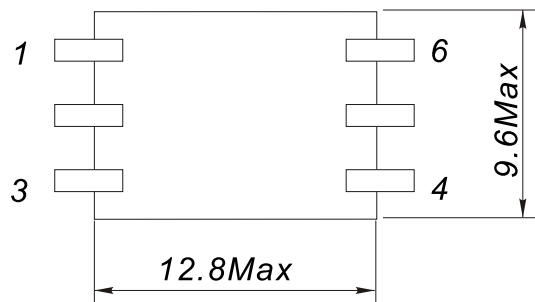
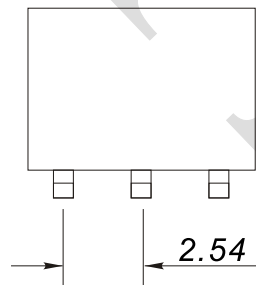
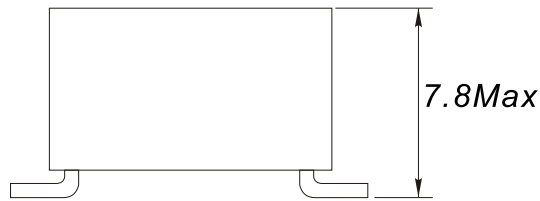
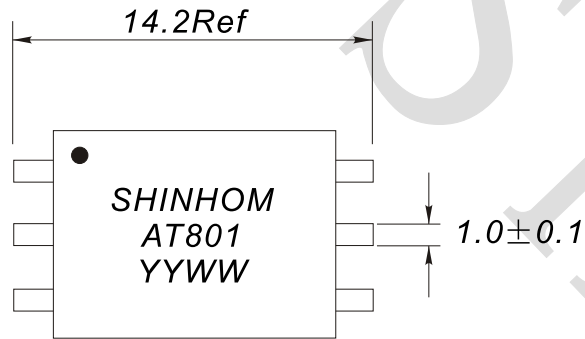


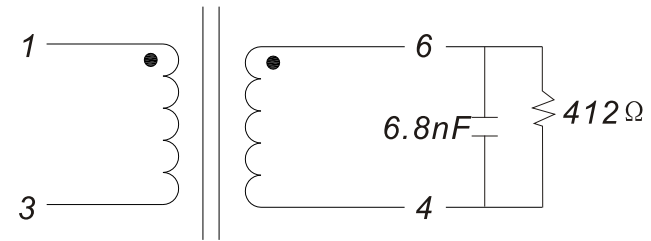
1. PHYSICAL CHARACTERISTICS (mm)



NOTES:

Temp 20°C 48%RH
RoHS Compliant

2. ELECTRONICAL SCHEMATIC



3. ELECTRONICAL SPECIFICATIONS

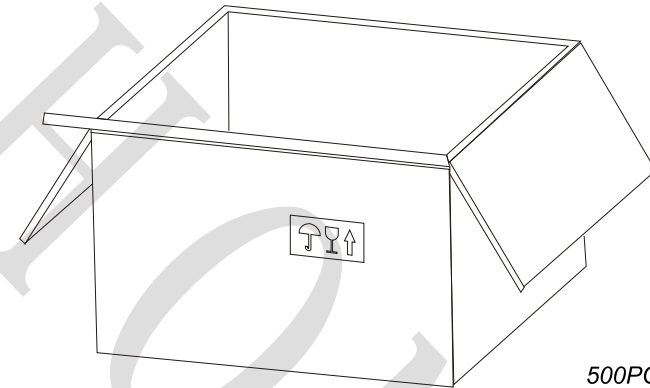
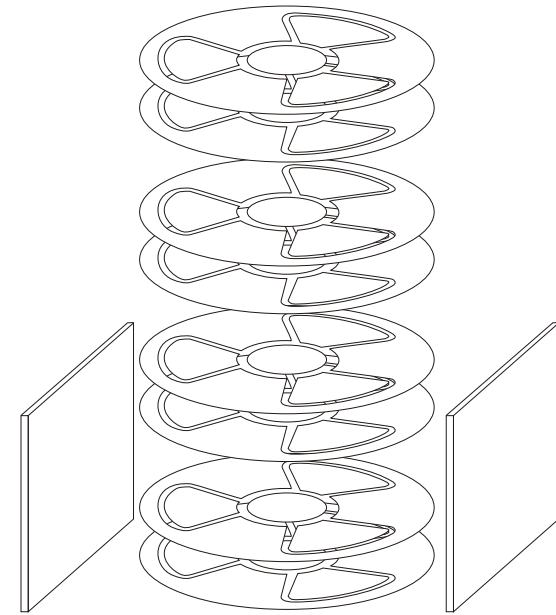
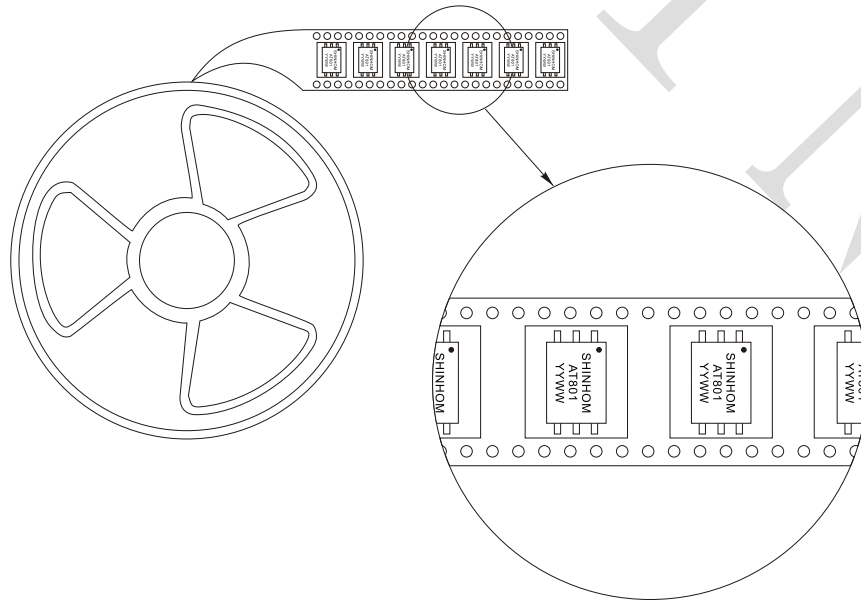
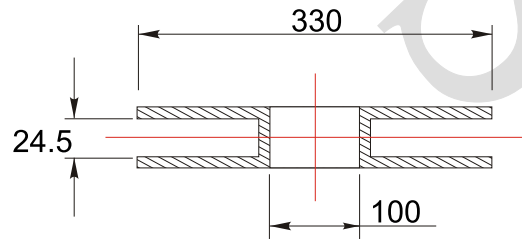
1. DCR: Pin1-3=115Ω ±15%
Pin4-6=115Ω ±15%
2. INDUCTANCE PARALLEL: 200Hz, 0.78V
Pin1-3=3.8H Min
RESISTANCE PARALLEL 7500Ω Min
3. LEAKAGE INDUCTANCE: 1KHz, 0.1V
Pin1-3(4-6 short)=6mH Typ
4. INSERTION LOSS: 2KHz, 0dB
Pin1-3(4-6 W/H 412Ω)=2dB Max
5. RETURN LOSS: REF 600Ω
FROM 200Hz~4Hz=24dB Min
6. TURN RATIO: 15KHz, 1V
Pin1-3: 6-4=1±1%
7. INSULATION RESISTANCE 100MΩ @500VDC
8. HI-POT: 4600VAC 1mA 60SEC: P-S

NAME:		Surface Mount Line Matching Transformers	
CUSTOMER P/N:		DATE:	2014-12-08
SHINHOM P/N:		AT801	REV: A1
DRAWN BY		CHECKED BY	APPROVE BY



SHINHOM
SHAANXISHINHOM ENTERPRISE CO LTD

TEL:+86-029-87851838
FAX:+86-029-87851840
ZIP:710054
Http://www.shinhom.com
E-mail:shinhom@globalsources.com
sales@shinhom.com.cn
NO. 8, Yanta Northern Road, Xi'an Shaanxi Pro. China



500PCS/REEL
4REELS/CARTON

NAME:		Surface Mount Line Matching Transformers	
CUSTOMER P/N:		DATE:	2014-12-08
SHINHOM P/N:		AT801	PAGE
DRAWN BY		CHECKED BY	APPROVE BY



SHINHOM
SHAANXISHINHOM ENTERPRISE CO LTD

TEL:+86-029-87851838
FAX:+86-029-87851840
ZIP:710054
Http://www.shinhom.com
E-mail:shinhom@globalsources.com
sales@shinhom.com.cn
NO. 8, Yanta Northern Road, Xi'an ShaanxiPro.China