

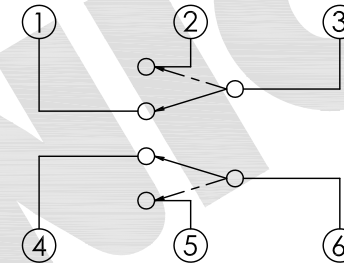
\*開關產品未經SWITRONIC同意，請勿拆解，否則無法負品質及安全責任。  
Please do not decompose the switch without any permission from SWITRONIC, otherwise the quality and safety responsibility could not be guaranteed.

\*本圖面若與目錄之規格尺寸不符，以本圖面規格尺寸為主。  
Below is our main specification if different from catalog.

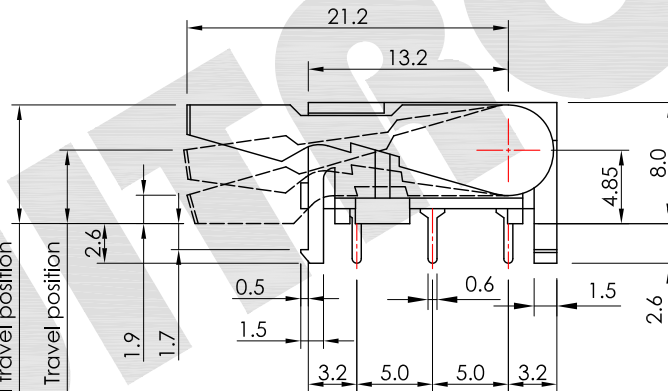
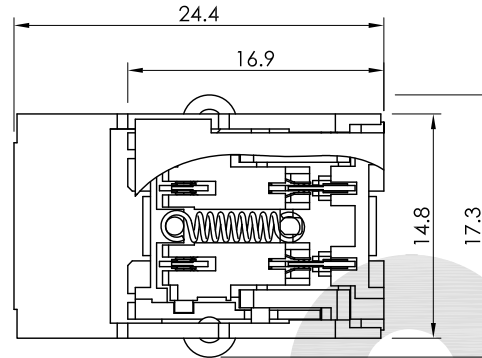
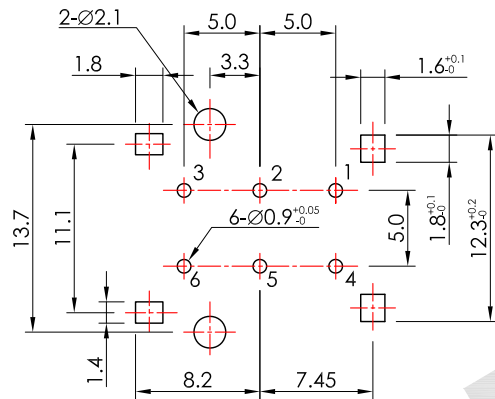
RoHS compliant



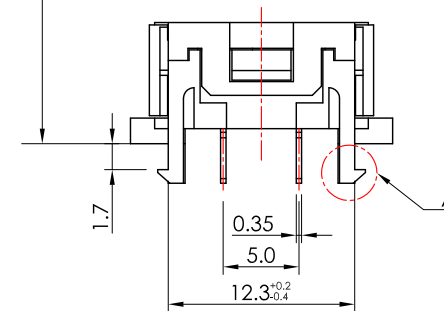
SCHMATIC



P.C.B. LAYOUT

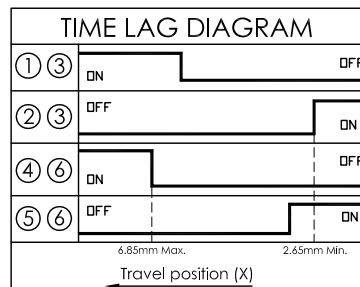


P.C.B. MOUNTING FACE

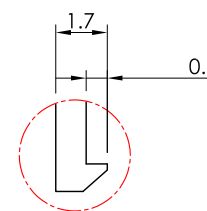


**SPECIFICATION**

Rating: 0.2A 48V DC.  
Function: DPDT.  
Timing: Non-Shorting.  
Contact resistance: 50mΩ Max.(Initial)  
Insulation resistance: 100MΩ Min. at 500V DC.  
Withstand voltage: 500V AC for 1 minute.  
Operating temperature: -16°C ~ +60°C.  
Operating force: 60±20g.  
Life: 100,000 Cycles.  
Soldering temperature: 240°C Max. for 3 sec.  
Soldering time: 1 time only.  
Note1: Unwashable, don't be immersed by epoxy and organic solvent.  
Note2: Please check the actual size, do not scale the drawing page.



VIEW A(SCALE 2:1)



**STORAGE METHOD**

After opening the bag of the switches, please include a desiccant into the bag, then seal it to avoid product oxidation.  
打開包裝袋後，請在袋中加入乾燥劑並「密封」，避免產品氧化。

V2.0	無	新繪製	2017.06.30
版本 VER.	符號 SYMBOL	修改內容 ALTERATION	更新日期 DATE



產品 PRODUCT	Hook Switch		型號 MODEL NO.	IH-2240HA-G
製圖 DRAWN BY	核圖 CHECKED BY	主管 APPROVED BY	單位 UNIT	mm
Jke Hwang	Chuck Young	Margaret Lee	比例 SCALE	2:1
			公差 TOLERANCE	.X=±0.3mm, .XX=±0.2mm

**SWITRONIC**  
INDUSTRIAL CORP.  
**Switches**



一綺電子企業股份有限公司

總公司：110 台北市信義路四段415號13樓之3  
13F-3, NO.415, SEC.4, HSIN YI ROAD, TAIPEI, TAIWAN  
TEL: 886-2-27290229(Rep.) FAX: 886-2-27582086  
URL: www.switronic.com E-MAIL: switches@ms36.hinet.net