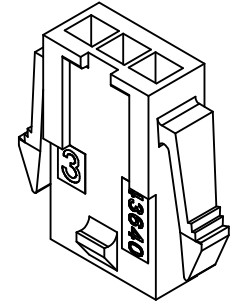


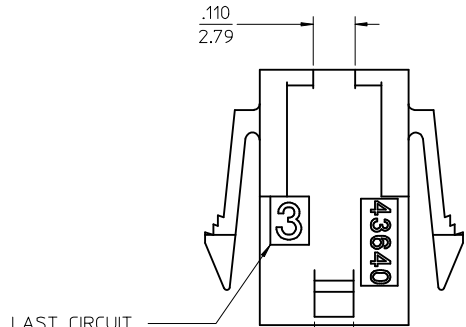
| ASSEMBLY ITEM NUMBER | PART CHARACTERISTICS NUMBER OF POSITION |
|----------------------|---|
| 43640-0200 | 02 |
| 43640-0300 | 03 |
| 43640-0400 | 04 |
| 43640-0500 | 05 |
| 43640-0600 | 06 |
| 43640-0700 | 07 |
| 43640-0800 | 08 |
| 43640-0900 | 09 |
| 43640-1000 | 10 |
| 43640-1100 | 11 |
| 43640-1200 | 12 |

| CKT. NO. | DIM. "A" | DIM. "B" | DIM. "C" | DIM. "D" |
|----------|-------------|-------------|-------------|-------------|
| 2 | .270/6.85 | .118/3.00 | .284/7.21 | .429/10.90 |
| 3 | .388/9.85 | .236/6.00 | .402/10.21 | .547/13.89 |
| 4 | .506/12.85 | .354/9.00 | .520/13.21 | .665/16.89 |
| 5 | .624/15.85 | .472/12.00 | .638/16.21 | .783/19.89 |
| 6 | .742/18.85 | .591/15.00 | .756/19.21 | .901/22.89 |
| 7 | .860/21.85 | .709/18.00 | .874/22.20 | 1.019/25.88 |
| 8 | .978/24.85 | .827/21.00 | .992/25.20 | 1.137/28.88 |
| 9 | 1.096/27.85 | .945/24.00 | 1.110/28.20 | 1.255/31.88 |
| 10 | 1.215/30.85 | 1.063/27.00 | 1.229/31.22 | 1.373/34.87 |
| 11 | 1.333/33.85 | 1.181/30.00 | 1.347/34.22 | 1.491/37.87 |
| 12 | 1.451/36.85 | 1.299/33.00 | 1.465/37.22 | 1.609/40.87 |

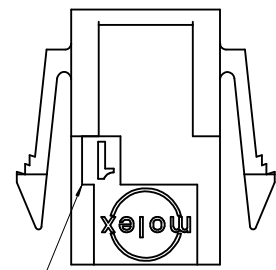
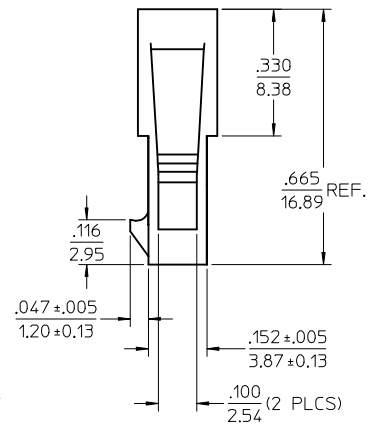
- NOTES:
- HOUSING MATERIAL: UNFILLED NYLON, RATED UL94V-0 COLOR IS BLACK, (LOW-HALOGEN)
 - FINISH: NONE
 - PRODUCT SPECIFICATION: PS-43650
 - PACKAGING SPECIFICATION: PK-43640-003
 - THIS HOUSING MATES WITH MICRO-FIT RECEPTACLE #43645-****.
 - THIS HOUSING IS DESIGNED IN METRIC
 - THIS HOUSING TO BE USED WITH MOLEX MALE TERMINAL #43031-****.
 - PLUG DESIGNED FOR .062/1.57 TO .090/2.30 THICK STAMPED PANEL OR PRINTED CIRCUIT BOARD.
 - SEE SECTION "D"- "D" FOR TERMINAL ORIENTATION IN HOUSING.
 - SEE SHEET 2 FOR PLUG WITHOUT PANEL MOUNTS.
 - PANEL MOUNT FEATURES MUST LOCK ON SIDE OPPOSITE PUNCH SIDE FOR OPTIMUM RETENTION.
 - LAST CIRCUIT INDICATOR IS NOT PRESENT ON 2 CIRCUIT HOUSING.
 - THIS PART CONFORMS TO CLASS B REQUIREMENTS OF COSMETIC SPECIFICATION PS-45499-002.



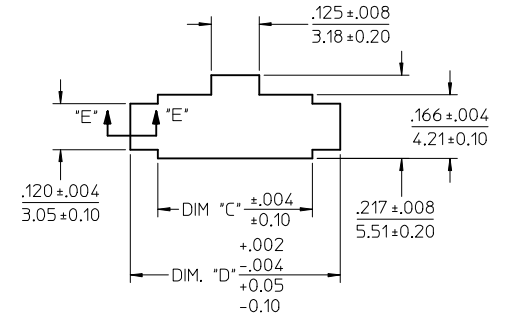
PLUG WITH PANEL MOUNTS



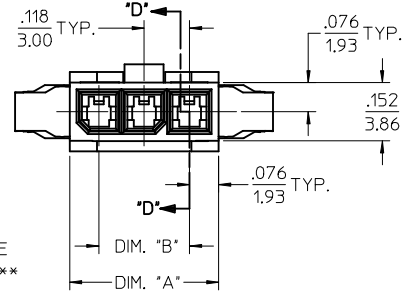
LAST CIRCUIT INDICATOR (SEE NOTE 12)



FIRST CIRCUIT INDICATOR

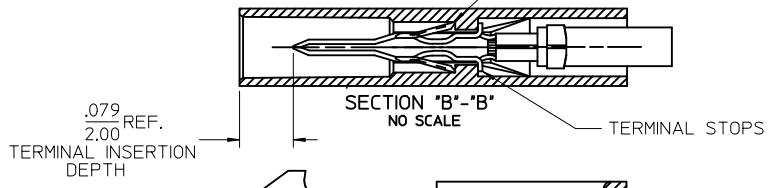


RECOMMENDED PANEL CUT-OUT (SEE NOTES 8 & 11)



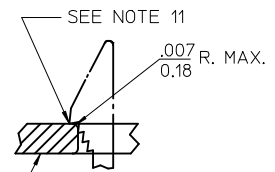
RECEPTACLE # 43645-****

PLUG # 43640-***00

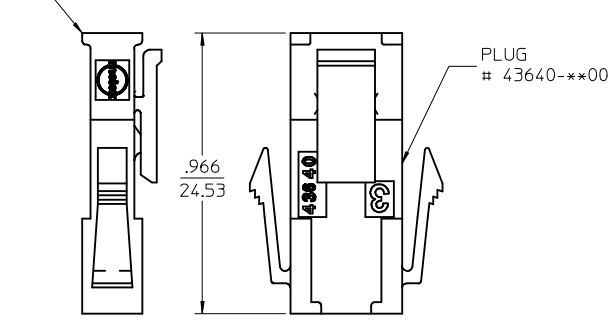


SECTION "B"- "B" NO SCALE

TERMINAL LOCKING TABS MUST BE FULLY SEATED TO HOUSING BEFORE MATING WITH OTHER HALF OF CONNECTOR SYSTEM.



SECTION "E"- "E" NO SCALE



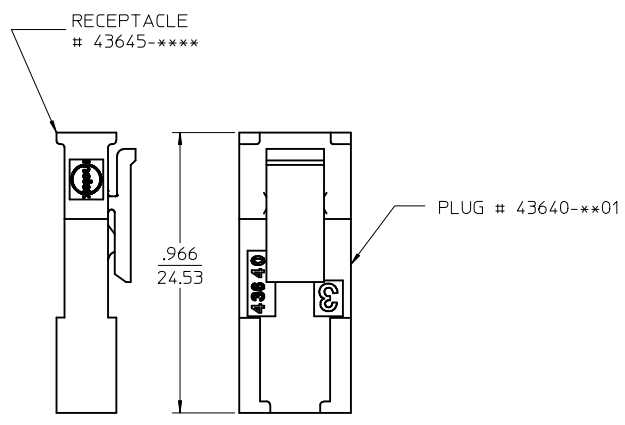
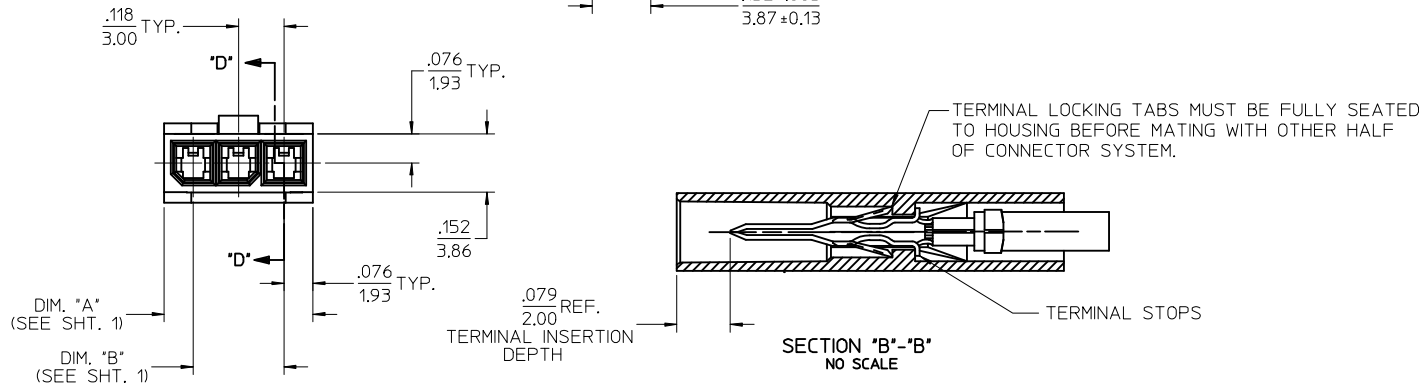
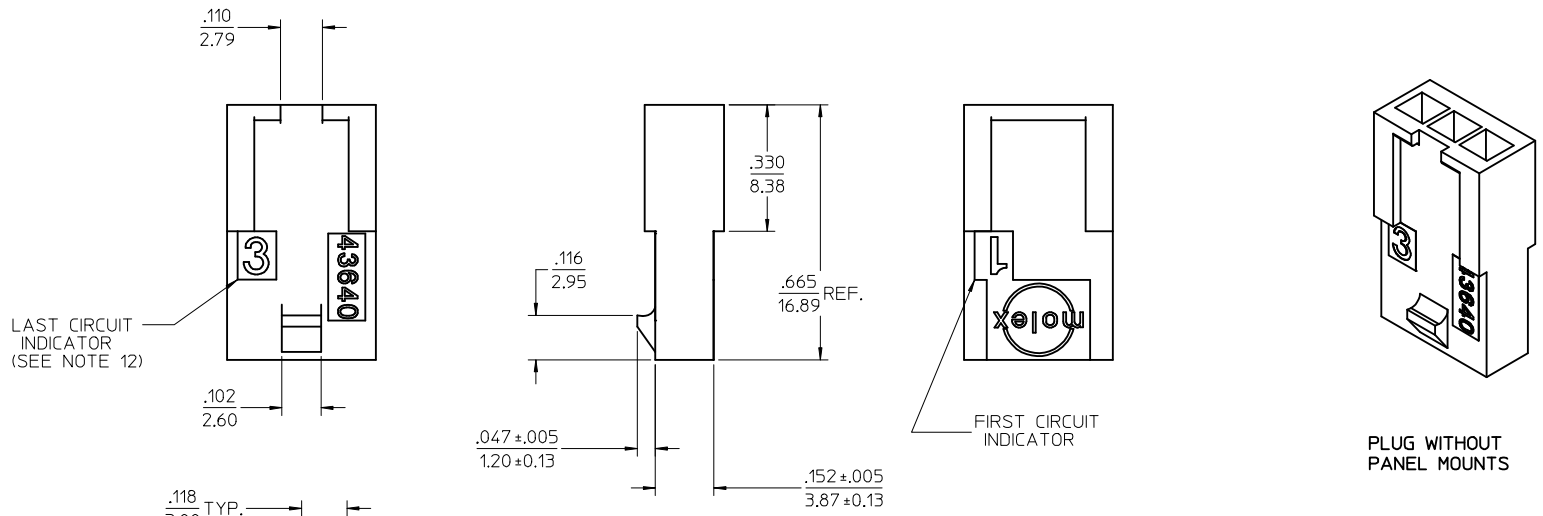
MATED MICRO-FIT CONNECTOR

| UPDATE PUNCHED HOLE IEC NO: UCP2017-0525 DRWN: J001LES 2016/09/13 CHKD: S50USEK 2016/09/13 APPR: FSMITH 2016/10/07 | QUALITY SYMBOLS ▽=0 ▽=0 ▽=0 | GENERAL TOLERANCES (UNLESS SPECIFIED) <table border="1"> <thead> <tr> <th></th> <th>mm</th> <th>INCH</th> </tr> </thead> <tbody> <tr><td>4 PLACES</td><td>± .005</td><td>± .0002</td></tr> <tr><td>3 PLACES</td><td>± .010</td><td>± .0004</td></tr> <tr><td>2 PLACES</td><td>± .025</td><td>± .0010</td></tr> <tr><td>1 PLACE</td><td>± .035</td><td>± .0014</td></tr> <tr><td>0 PLACE</td><td>± .050</td><td>± .0020</td></tr> </tbody> </table> | | mm | INCH | 4 PLACES | ± .005 | ± .0002 | 3 PLACES | ± .010 | ± .0004 | 2 PLACES | ± .025 | ± .0010 | 1 PLACE | ± .035 | ± .0014 | 0 PLACE | ± .050 | ± .0020 | DIMENSION STYLE IN/MM | SCALE 4:1 | DESIGN UNITS METRIC | THIRD ANGLE PROJECTION |
|--|--------------------------------------|---|--|----|------|----------|--------|---------|----------|--------|---------|----------|--------|---------|---------|--------|---------|---------|--------|---------|---------------------------------|---------------------|-------------------------------|------------------------|
| | | | | mm | INCH | | | | | | | | | | | | | | | | | | | |
| 4 PLACES | ± .005 | ± .0002 | | | | | | | | | | | | | | | | | | | | | | |
| 3 PLACES | ± .010 | ± .0004 | | | | | | | | | | | | | | | | | | | | | | |
| 2 PLACES | ± .025 | ± .0010 | | | | | | | | | | | | | | | | | | | | | | |
| 1 PLACE | ± .035 | ± .0014 | | | | | | | | | | | | | | | | | | | | | | |
| 0 PLACE | ± .050 | ± .0020 | | | | | | | | | | | | | | | | | | | | | | |
| MATERIAL NO. SEE CHART | DOCUMENT NO. SD-43640-**** | SHEET NO. 1 OF 2 | | | | | | | | | | | | | | | | | | | | | | |

DRAFT WHERE APPLICABLE MUST REMAIN WITHIN DIMENSIONS

THIS DRAWING CONTAINS INFORMATION THAT IS PROPRIETARY TO MOLEX INCORPORATED AND SHOULD NOT BE USED WITHOUT WRITTEN PERMISSION

| ASSEMBLY ITEM NUMBER | PART CHARACTERISTICS NUMBER OF POSITION |
|----------------------|---|
| 43640-0201 | 02 |
| 43640-0301 | 03 |
| 43640-0401 | 04 |
| 43640-0501 | 05 |
| 43640-0601 | 06 |
| 43640-0701 | 07 |
| 43640-0801 | 08 |
| 43640-0901 | 09 |
| 43640-1001 | 10 |
| 43640-1101 | 11 |
| 43640-1201 | 12 |



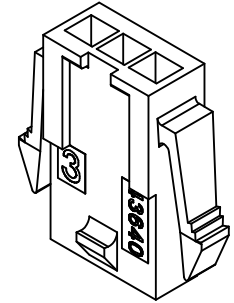
MATED MICRO-FIT CONNECTOR

| | | | | | | | | | |
|--|-----------------|---------------------------------------|------------------------|--|-----------------|---|---------------------|------------------------|--|
| SEE SHEET 1 EC NO: UCP2017-0525 DRWN: JUILLES 2016/09/13 CHKD: SSOUSEK 2016/09/13 APPR: FSMITH 2016/10/07 | QUALITY SYMBOLS | GENERAL TOLERANCES (UNLESS SPECIFIED) | | DIMENSION STYLE IN/MM | | SCALE 4:1 | DESIGN UNITS METRIC | THIRD ANGLE PROJECTION | |
| | ▽=0 | mm | INCH | DRAWN BY AFG | DATE 1996/01/19 | MICRO-FIT (3.0) IN-LINE 2 THRU 12 CIRCUIT PLUG W/ OPTIONAL PANEL MOUNTS molex DOCUMENT NO. SD-43640-**** SHEET NO. 2 OF 2 | | | |
| | ▽=0 | 4 PLACES ± --- | ± --- | CHECKED BY BAP | DATE 1996/01/19 | | | | |
| | ▽=0 | 3 PLACES ± --- | ± .010 | APPROVED BY RJF | DATE 1996/01/19 | | | | |
| ▽=0 | 2 PLACES ± 0.25 | ± .014 | MATERIAL NO. SEE CHART | | | | | | |
| REV F6 | DESCRIPTION | 1 PLACE ± 0.35 | ± --- | DRAFT WHERE APPLICABLE MUST REMAIN WITHIN DIMENSIONS | | THIS DRAWING CONTAINS INFORMATION THAT IS PROPRIETARY TO MOLEX INCORPORATED AND SHOULD NOT BE USED WITHOUT WRITTEN PERMISSION | | | |
| | | 0 PLACE ± | ± | | | | | | |

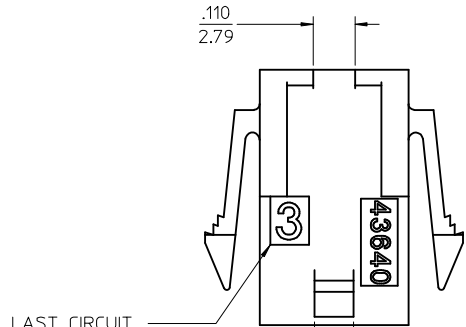
| ASSEMBLY ITEM NUMBER | PART CHARACTERISTICS NUMBER OF POSITION |
|----------------------|---|
| 43640-0200 | 02 |
| 43640-0300 | 03 |
| 43640-0400 | 04 |
| 43640-0500 | 05 |
| 43640-0600 | 06 |
| 43640-0700 | 07 |
| 43640-0800 | 08 |
| 43640-0900 | 09 |
| 43640-1000 | 10 |
| 43640-1100 | 11 |
| 43640-1200 | 12 |

| CKT. NO. | DIM. "A" | DIM. "B" | DIM. "C" | DIM. "D" |
|----------|-------------|-------------|-------------|-------------|
| 2 | .270/6.85 | .118/3.00 | .284/7.21 | .429/10.90 |
| 3 | .388/9.85 | .236/6.00 | .402/10.21 | .547/13.89 |
| 4 | .506/12.85 | .354/9.00 | .520/13.21 | .665/16.89 |
| 5 | .624/15.85 | .472/12.00 | .638/16.21 | .783/19.89 |
| 6 | .742/18.85 | .591/15.00 | .756/19.21 | .901/22.89 |
| 7 | .860/21.85 | .709/18.00 | .874/22.20 | 1.019/25.88 |
| 8 | .978/24.85 | .827/21.00 | .992/25.20 | 1.137/28.88 |
| 9 | 1.096/27.85 | .945/24.00 | 1.110/28.20 | 1.255/31.88 |
| 10 | 1.215/30.85 | 1.063/27.00 | 1.229/31.22 | 1.373/34.87 |
| 11 | 1.333/33.85 | 1.181/30.00 | 1.347/34.22 | 1.491/37.87 |
| 12 | 1.451/36.85 | 1.299/33.00 | 1.465/37.22 | 1.609/40.87 |

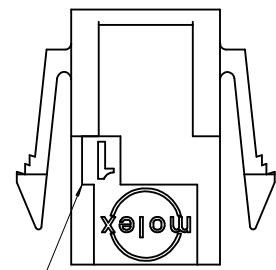
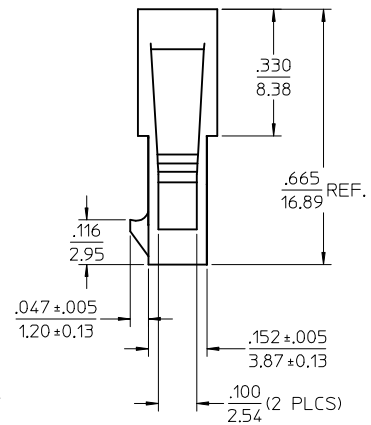
- NOTES:
- HOUSING MATERIAL: UNFILLED NYLON, RATED UL94V-0 COLOR IS BLACK, (LOW-HALOGEN)
 - FINISH: NONE
 - PRODUCT SPECIFICATION: PS-43650
 - PACKAGING SPECIFICATION: PK-43640-003
 - THIS HOUSING MATES WITH MICRO-FIT RECEPTACLE #43645-****.
 - THIS HOUSING IS DESIGNED IN METRIC
 - THIS HOUSING TO BE USED WITH MOLEX MALE TERMINAL #43031-****.
 - PLUG DESIGNED FOR .062/1.57 TO .090/2.30 THICK STAMPED PANEL OR PRINTED CIRCUIT BOARD.
 - SEE SECTION "D"- "D" FOR TERMINAL ORIENTATION IN HOUSING.
 - SEE SHEET 2 FOR PLUG WITHOUT PANEL MOUNTS.
 - PANEL MOUNT FEATURES MUST LOCK ON SIDE OPPOSITE PUNCH SIDE FOR OPTIMUM RETENTION.
 - LAST CIRCUIT INDICATOR IS NOT PRESENT ON 2 CIRCUIT HOUSING.
 - THIS PART CONFORMS TO CLASS B REQUIREMENTS OF COSMETIC SPECIFICATION PS-45499-002.



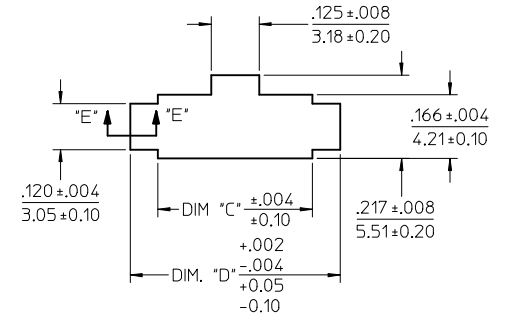
PLUG WITH PANEL MOUNTS



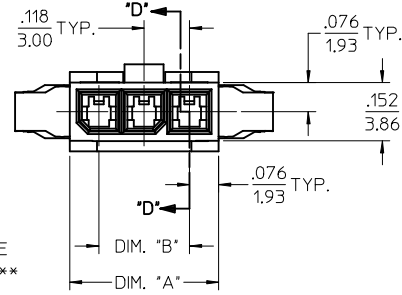
LAST CIRCUIT INDICATOR (SEE NOTE 12)



FIRST CIRCUIT INDICATOR

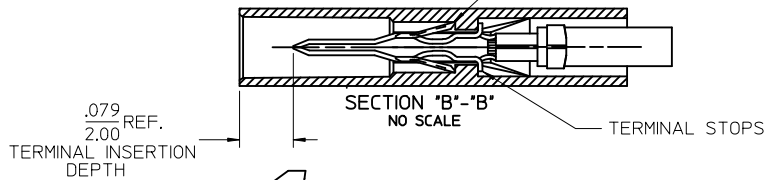


RECOMMENDED PANEL CUT-OUT (SEE NOTES 8 & 11)



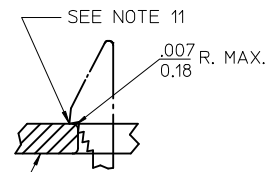
RECEPTACLE # 43645-****

PLUG # 43640-***00



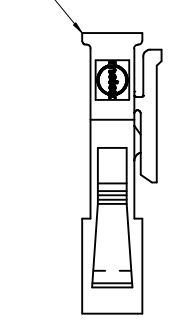
SECTION "B"- "B" NO SCALE

TERMINAL LOCKING TABS MUST BE FULLY SEATED TO HOUSING BEFORE MATING WITH OTHER HALF OF CONNECTOR SYSTEM.



SECTION "E"- "E" NO SCALE

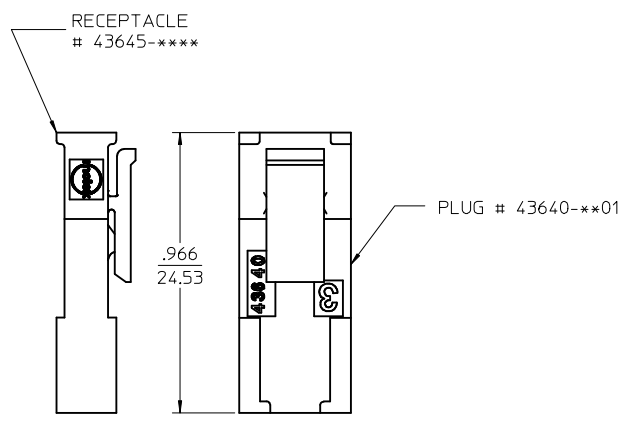
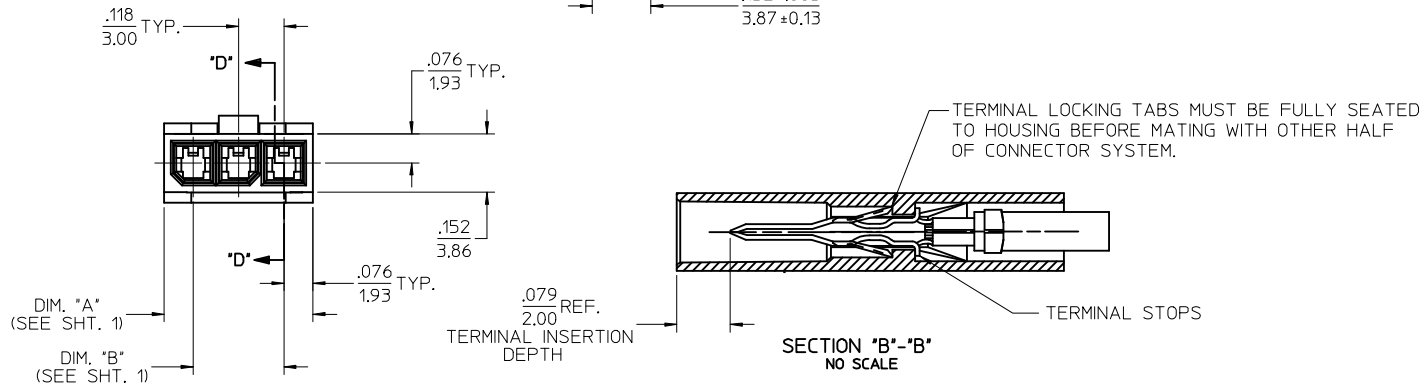
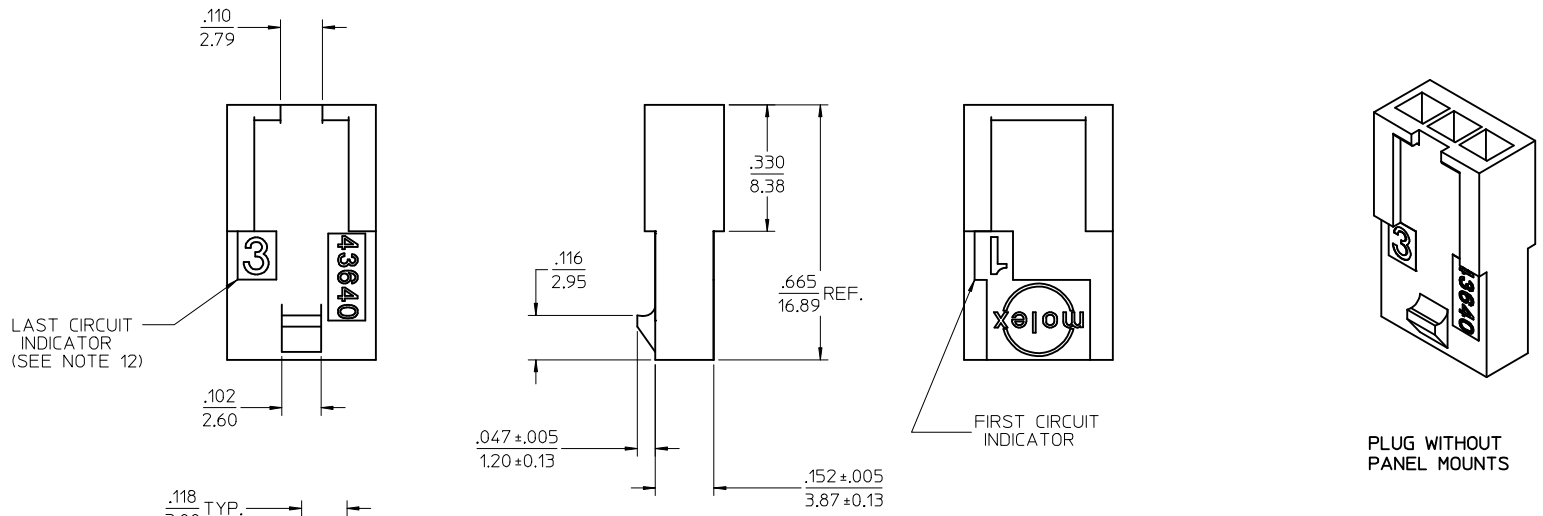
SEE NOTE 11



MATED MICRO-FIT CONNECTOR

| | | | | | | | |
|---|--------------------------------------|--|-----------------|--------|---|--------------|------------------------|
| UPDATE PUNCHED HOLE EC NO: UCP2017-0525 DRWN: J001LES 2016/09/13 CHKD: S50USEK 2016/09/13 APPR: FSMITH 2016/10/07 | QUALITY SYMBOLS ▽=0 ▽=0 ▽=0 | GENERAL TOLERANCES (UNLESS SPECIFIED) | DIMENSION STYLE | | SCALE | DESIGN UNITS | THIRD ANGLE PROJECTION |
| | | | IN/MM | | | | |
| REV: F6 | DESCRIPTION | DRAFT WHERE APPLICABLE MUST REMAIN WITHIN DIMENSIONS | 4 PLACES | ± .010 | DRAWN BY | DATE | TITLE |
| | | | 3 PLACES | ± .010 | | | |
| | | | 2 PLACES | ± .014 | CHECKED BY | DATE | DOCUMENT NO. |
| | | | 1 PLACE | ± .035 | BAP | 1996/01/19 | |
| | | | 0 PLACE | ± | APPROVED BY | DATE | SHEET NO. |
| | | | | | RJF | 1996/01/19 | |
| | | | ANGULAR ± 5 ° | | MATERIAL NO. | | |
| | | | SEE CHART | | THIS DRAWING CONTAINS INFORMATION THAT IS PROPRIETARY TO MOLEX INCORPORATED AND SHOULD NOT BE USED WITHOUT WRITTEN PERMISSION | | |

| ASSEMBLY ITEM NUMBER | PART CHARACTERISTICS NUMBER OF POSITION |
|----------------------|---|
| 43640-0201 | 02 |
| 43640-0301 | 03 |
| 43640-0401 | 04 |
| 43640-0501 | 05 |
| 43640-0601 | 06 |
| 43640-0701 | 07 |
| 43640-0801 | 08 |
| 43640-0901 | 09 |
| 43640-1001 | 10 |
| 43640-1101 | 11 |
| 43640-1201 | 12 |



MATED MICRO-FIT CONNECTOR

| | | | | | | | | | | |
|-----------------------|--------------------|--|---------------------------------------|------|--------------------------|--------------------|---|------------------------|------------------------|--|
| SEE SHEET 1 REV F6 | DESCRIPTION REV | QUALITY SYMBOLS ▽=0 | GENERAL TOLERANCES (UNLESS SPECIFIED) | | DIMENSION STYLE IN/MM | | SCALE 4:1 | DESIGN UNITS METRIC | THIRD ANGLE PROJECTION | |
| | | | mm | INCH | DRAWN BY AFG | DATE 1996/01/19 | MICRO-FIT (3.0) IN-LINE 2 THRU 12 CIRCUIT PLUG W/ OPTIONAL PANEL MOUNTS molex DOCUMENT NO. SD-43640-**** SHEET NO. 2 OF 2 | | | |
| 4 PLACES ± .010 | ± .010 | CHECKED BY BAP | DATE 1996/01/19 | | | | | | | |
| 3 PLACES ± .010 | ± .010 | APPROVED BY RJF | DATE 1996/01/19 | | | | | | | |
| 2 PLACES ± 0.25 | ± .014 | MATERIAL NO. SEE CHART | | | | | | | | |
| 1 PLACE ± 0.35 | ± .014 | DRAFT WHERE APPLICABLE MUST REMAIN WITHIN DIMENSIONS | | | | | | | | |
| 0 PLACE ± | ± | SIZE C | | | | | | | | |