



Industrial & Electrical Components

Solid State Relay

Part No.

**HHG2-1
(SSR-AA)**



CHARACTERISTICS

Controlling Voltage	90-250VAC	On-off Time	$\leq 10\text{ms}$
Controlling Current	5-30mA	Leakage Current in off	$\leq 10\text{mA}$
Make-on Voltage	90VAC	Dielectric Strength	$\geq 2500\text{VAC}$
Break-off Voltage	10VAC	Insulation Resistance	$500\text{M}\Omega$ (at 500VDC)
Reverse Voltage	--	Ambient Temp.	-30~80°C
Load Voltage	22:30-240VAC, 38:40-440VAC.	Weight	10A \approx 135g, 20A \approx 140g, 40A \approx 145g
Load Current	10A ~ 80A.	Indicate Methods	Led
Instant Voltage	22: 600VAC, 38: 900VAC.	Dimensions	63x45x26(LxWxH)mm
Voltage Drop in On	<1.6VAC	Wirinig Diagram	See Page-2

ORDERING INFORMATION

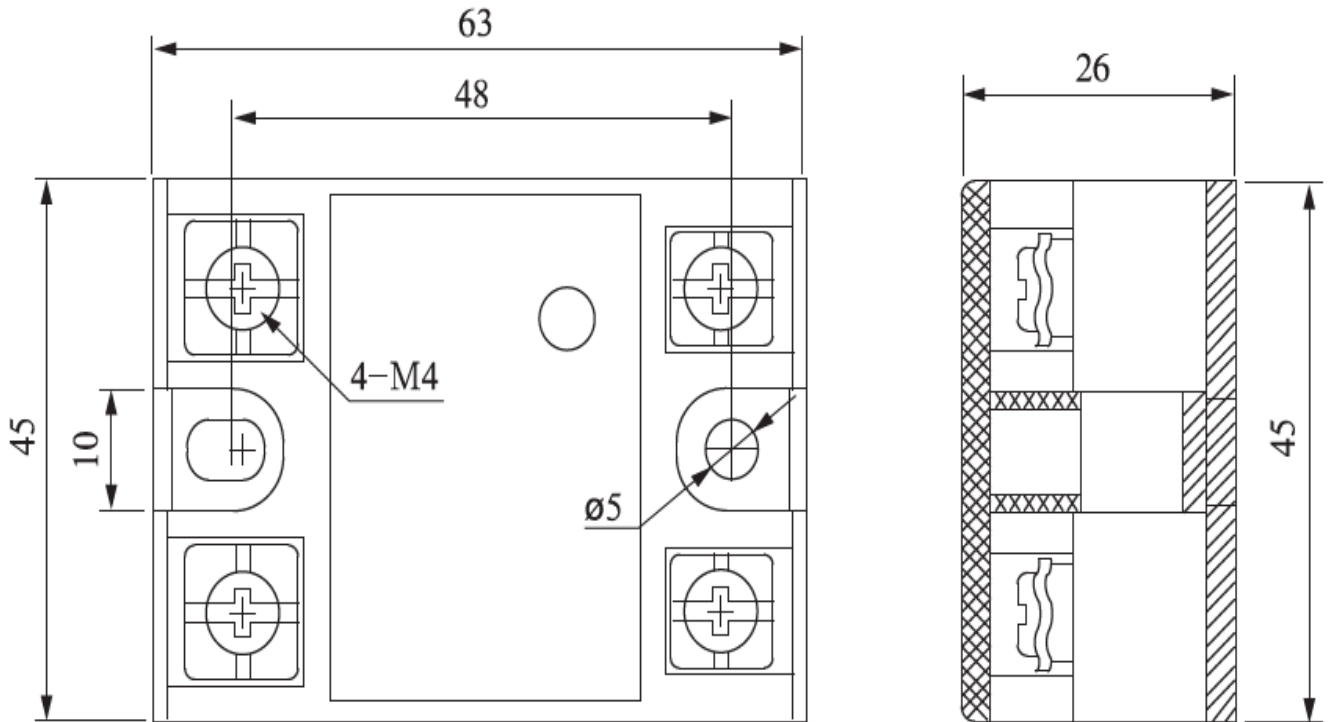
e.g

HHG2-1 / 250F-22 10A

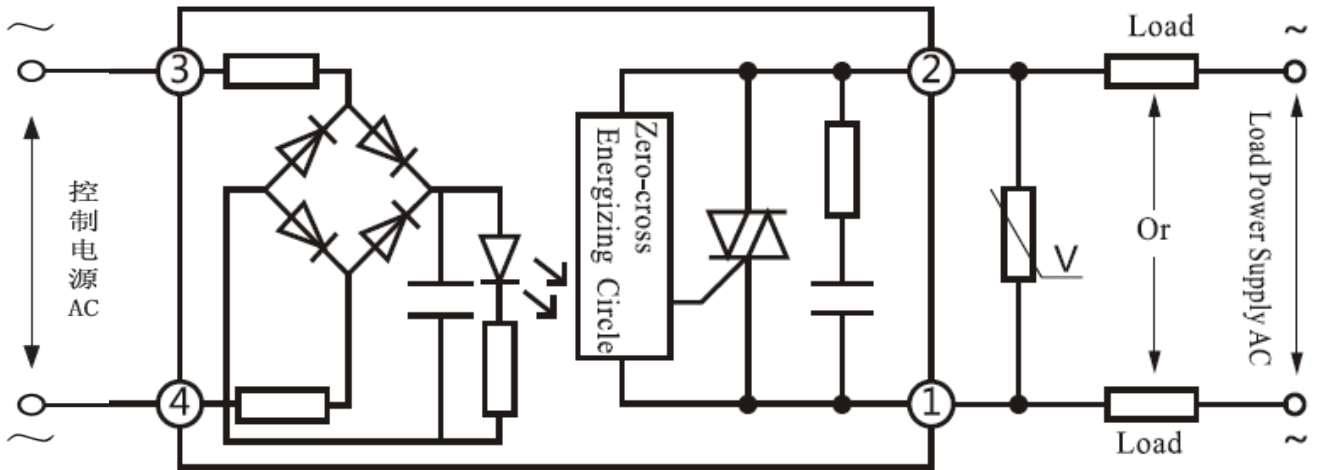
① ② ③ ④

- ① Series: HHG2-1 series(SSR-AA)
- ② Controlling Voltage: 250: 90-250VAC.
- ③ Load Voltage : 22: 30-240VAC, 38: 40-440VAC.
- ④ Load current : 10 A, 15A, 20A, 25A, 30A, 40A,60A,80A.

DIMENSIONS (Unit: mm)



WIRING DIAGRAM:



Remarks:

1. Both of Input power and Output power must be AC Voltage.
2. Please make correct polarity connection for input and output power.
3. If the SSR with load above 10Amps, it must be mounted onto heat sink. It should be mounted onto fan-cooling or water-cooling if the load above 80Amps.
4. It is zero-cross type.