

REVISION RECORD

REV	ECN	DESCRIPTION	DRFT	DATE
-----	-----	-------------	------	------

NOTES1:

UL Standard

1. Rated Voltage/Current : 300V / 10A
2. Withstanding Voltage : AC1600V/1Min.
3. Wire Range : 26~12AWG

IEC Standard

1.

Pollution Degree	2
Overvoltage Category	III
Rate Impulse Voltage(KV)	4.0KV
Rate Voltage(V)	320V
Rate Current(A)	20A

2. Wire Range : 0.2~2.5mm²

NOTES2:

1. Dimension shall be interpreted per ASME Y14.5-2009
2. Pitch : 5.00/5.08mm, Poles : N=02~22P/02~16P
3. Stripping length : 9-10mm
4. Operating temperature: -40°C~+105°C
5. Undimensioned Tolerances:

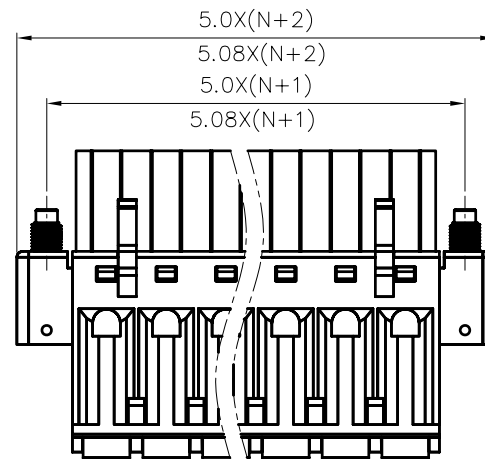
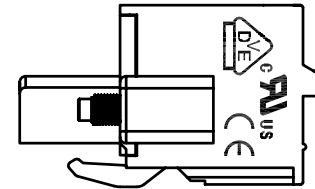
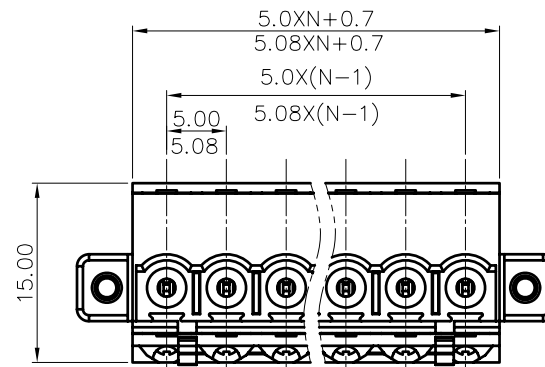
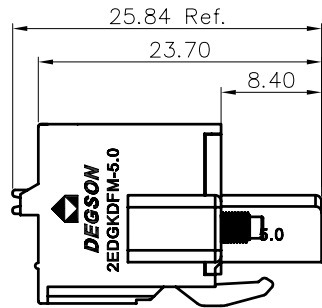
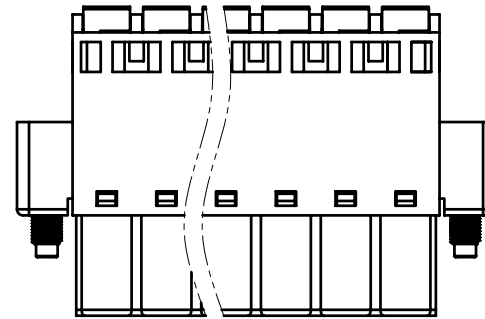
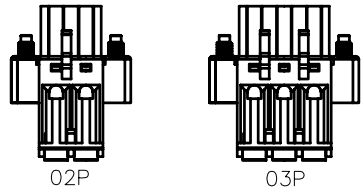
	Pitch range in mm			Nominal dimension range in mm				-	∩	∇
	Over TO	Over TO	Over TO	Over TO	Over TO	Over TO	Over TO			
TO	6	10	24	30	60	100	150	0.1/10		
	±0.15	±0.20	±0.30	±0.30	±0.50	±0.70	±1.00	±1.30	±2'	

6. RoHS Compliance

2EDGKDFM - 5.0/5.08 - XXP - 1Y - 00A (H)

(Series No.) (Pitch) (Poles) (Single Pitch) (Color): 1.(Grey)
 2.(Blue)
 3.(Black)
 4.(Green)
 5.(Orange)
 6.(Red)
 7.(Transparent)
 8.(Yellow)
 9.(White)

(RoHS)
 00A-(Standard)



DETACHED LISTS	PART NO.:	/			
	APPD:	/			
	CHKD:	/			
	DRFT:	/			
	<p>THIRD ANGLE PROJECTION</p>		<p>DO NOT SCALE DRAWING</p>		<p>SCALE</p> <p>1:1</p>
<p>NINGBO DEGSON ELECTRICAL CO., LTD</p>		<p>NAME:</p> <p>2EDGKDFM-5.0/5.08-XXP-1Y-00A(H)</p>		<p>REV</p> <p>DO</p> <p>SHEET</p> <p>1/1</p>	
<p>TITLE: CUSTOMER DRAWING</p>		<p>DRAWING NO.:</p> <p>/</p>		<p>REV</p> <p>DO</p> <p>SHEET</p> <p>1/1</p>	