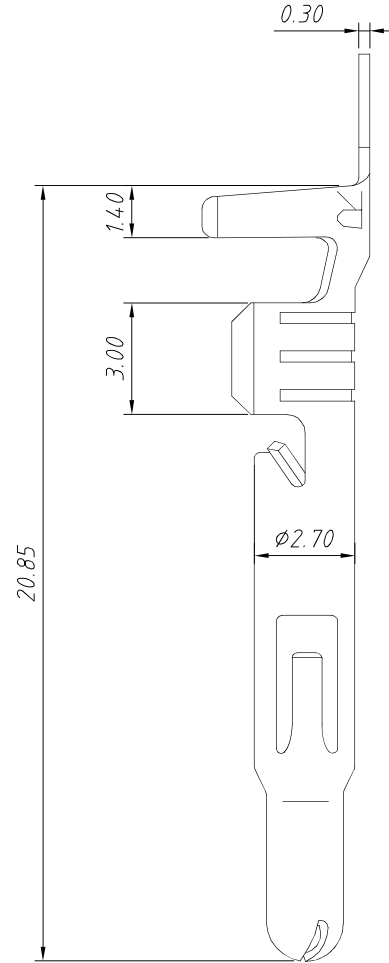
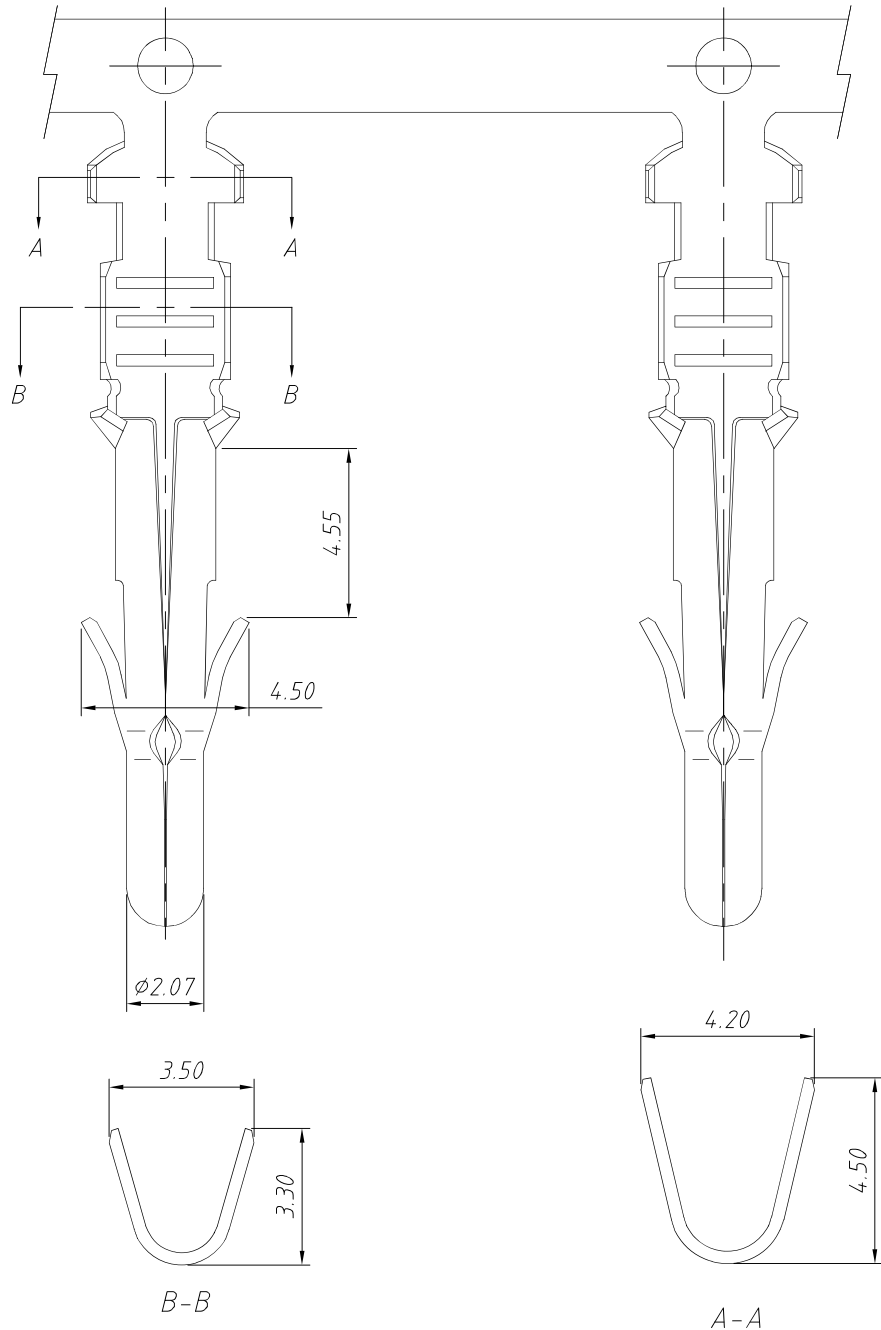


1 RoHS Compliance



Material:
 Terminal: Brass
 Plating: Tin-plated.
 Applicable wires: AWG #14 ~ # 20
 Insulation O.D.: 3.30mm Max
 Qty/reel: 4000 PCS

Electrical Characteristics:
 Rated Current: 15.0AMP
 Voltage rating: 600V AC,DC
 Temperature range: -25°C ~ + 85°C
 Insulator Resistance: 1000MΩ Min
 Withstand Voltage: 5000V AC/DC
 Contact Resistance: 3.5mΩ Max

Order Information:
 L-KLS1-XL1-6.35-MT
 L: RoHS
 Pitch: 6.35mm
 Type:

FH-Female Hosing MH-Male Hosing
 FT-Female Terminal MT-Male Terminal
 S/SW-Straight male pin
 R-Right angle male pin

ANGLE TOLERANCE	PROJECTION	Description:	6.35mm Pitch 42021 42022 43255
±3°			Wire To Board Connector
GENERAL TOLERANCE	UNITS	mm	KLS P/N: L-KLS1-XL1-6.35-MT
x.x ±0.30	SHEET SIZE	A4	NingBo KLS ELECTRONIC CO.,L TD.
x.xx ±0.20	Draw:	Daniel 2021-01-11	
x.xxx ±0.10	Check:	Daniel 2021-01-11	