

## Data sheet

Commercial Art.No.: 92.932.3453.5

Connector GST18i3S S1 ZR1 TR01

GST18i3 connector, 3 pole, male with screw connection, coding UPS 250 V, 20 A, coding color tomato red, strain relief color black



Commercial Art.No.	92.932.3453.5
EAN	4049088212857
Order Unit	1

Certificates / Approvals



## Technical data

### General

Rated current	20 A
Rated voltage	250 V
Rated impulse voltage	4 kV
strain relief	yes
Pollution degree	2
Mechanical coding	Code 2
Lockable	self-locking (unlocking by tool)
Color of coding/ contact carrier	tomato red
Marking of poles	L, N, PE
Color of housing inclusive strain relief	black

### Connection Data

Cable diameter max.	10.5 mm
Cable diameter min.	6.5 mm
Connection cross section solid mm <sup>2</sup> max.	2.5 mm <sup>2</sup>
Connection cross section solid mm <sup>2</sup> min.	0.75 mm <sup>2</sup>
Connection cross section fine stranded mm <sup>2</sup> max.	2.5 mm <sup>2</sup>
Connection cross section fine stranded mm <sup>2</sup> min.	0.75 mm <sup>2</sup>
Terminations per pole	1
sheath strip length	38.5 mm
Wire strip length	7 mm

### Model

Model	male
Connection type	screw connection
Degree of protection (IP)	IP20

### Material

Housing material	Polyamide
halogen free	yes
Contact material	CuZn
Fire load	0.092 kWh
Insulation components continuous temperature	100 °C
Surface finish	Tin-plated

#### Dimensions

Length	69.4 mm
Width	28.2 mm
Height	12.6 mm

#### Classification

ECLASS 11	
ECLASS 8.1	27440605
ETIM 7.0	EC002560
ETIM 6.0	EC002560
ETIM 5.0	EC002560
ETIM 4.0	EC002560

#### Product compliance

ROHS conformity status	Compliant/Exempted
ROHS exceptions	III-6(c)
REACH-SVHC conformity status	Duty-To-Declare
REACH-SVHC substances	Lead
REACH-SVHC CAS numbers	7439-92-1

#### Accessories

Commercial Art.No.:	Article-type description:	Description:
05.587.3156.0	Lock (G)ST18 WS	Locking device for cable to cable connection GST18i3-5, white
06.561.7853.0	mounting frame GST18i3 SW	Mounting frame to snap in GST18i3 connectors into a housing or furniture. Wall thickness: 1,5-2,5 mm. Holds GST18i3 connectors with screw or spring connection and pre- assembled cables.
05.561.3653.0	cover cap GST18i3VS B WS	Cover piece for female GST18i3, white
05.561.3653.1	cover cap GST18i3VS B SW	Cover piece for female GST18i3, black
05.564.5353.0	cover cap GST18i3/4/5 SW	Cover piece 12 pole black for female parts GST18i3-6
05.564.5353.2	cover cap GST18i3/4/5 WS	Cover piece 12 pole white for female parts GST18i3-6
05.594.4250.0	cover cap ST18/3B + GST18i3 ST WS	
05.594.4253.0	cover cap ST18/3B + GST18i3 ST WS	
05.587.3156.1	Lock (G)ST18 SW	Locking device for cable to cable connection GST18i3-5, black

#### Fits with

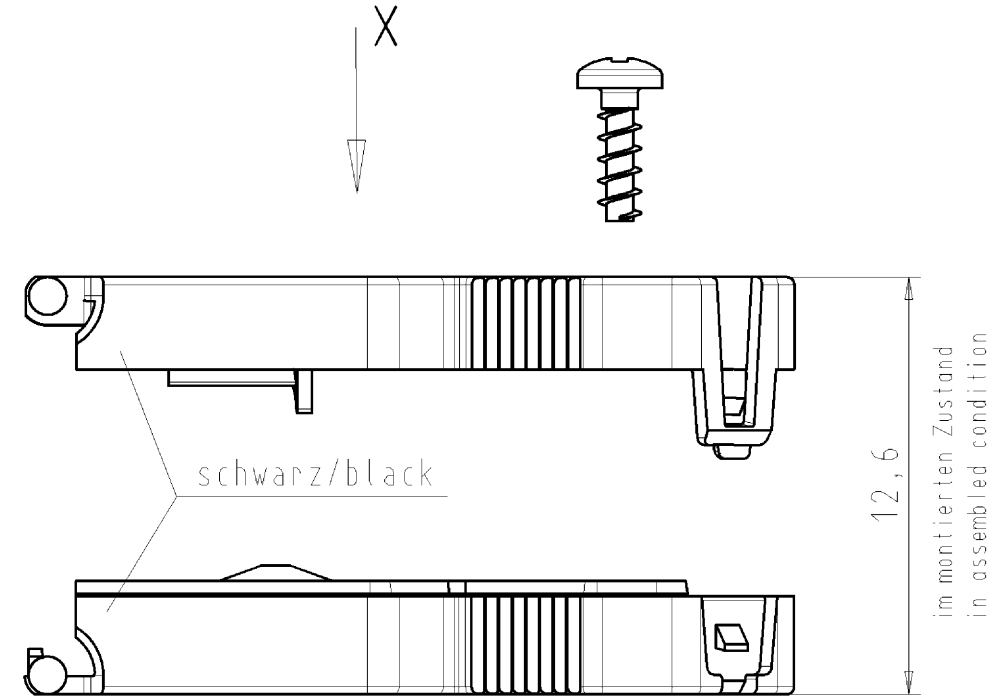
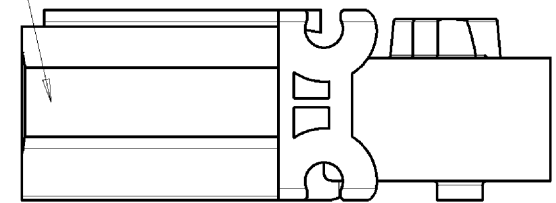
Commercial Art.No.:	Article-type description:	Description:
92.931.3453.5	Connector GST18i3S B1 ZR1 TR01	GST18i3 connector, 3 pole, female with screw connection, coding UPS 250 V, 20 A, coding color tomato red, strain relief color black
92.031.3458.5	Device connector GST18i3S B1 TR01	GST18i3 built-in component, 3 pole, female with screw connection, coding UPS 250 V, 20 A, coding color tomato red

92.031.0158.5	Device connector GST18i3L B1V TR01	GST18i3 PCB mount with additional mounting option, 3 pole, female (vertical), coding UPS 250 V, 20 A, coding color tomato red
92.297.1000.0	Cable assembly GST18i3KSBS 15 10TR01	GST18i3 connection cable female - male, length 1.0 m, 3 pole, coding UPS 250 V, 16 A, coding color tomato red, strain relief color black, cable color black, cross section 1.5 mm <sup>2</sup> , cable type H05VV-F, fire class: Eca
92.297.1004.0	Cable assembly GST18i3KS-S 15 10TR01	GST18i3 extension cable male - free end, length 1.0 m, 3 pole, coding UPS 250 V, 16 A, coding color tomato red, strain relief color black, cable color black, cross section 1.5 mm <sup>2</sup> , cable type H05VV-F, fire class: Eca

These dimensions will be especially checked at delivery  
 Only inspection dimensions  
 With /E marked dimensions are only valid for internal use

Diese Maße werden bei Abnahme besonders geprüft  
 Ausschließliche Prüfmaße  
 Mit /E gekennzeichnete Maße sind nur für interne Zwecke gültig

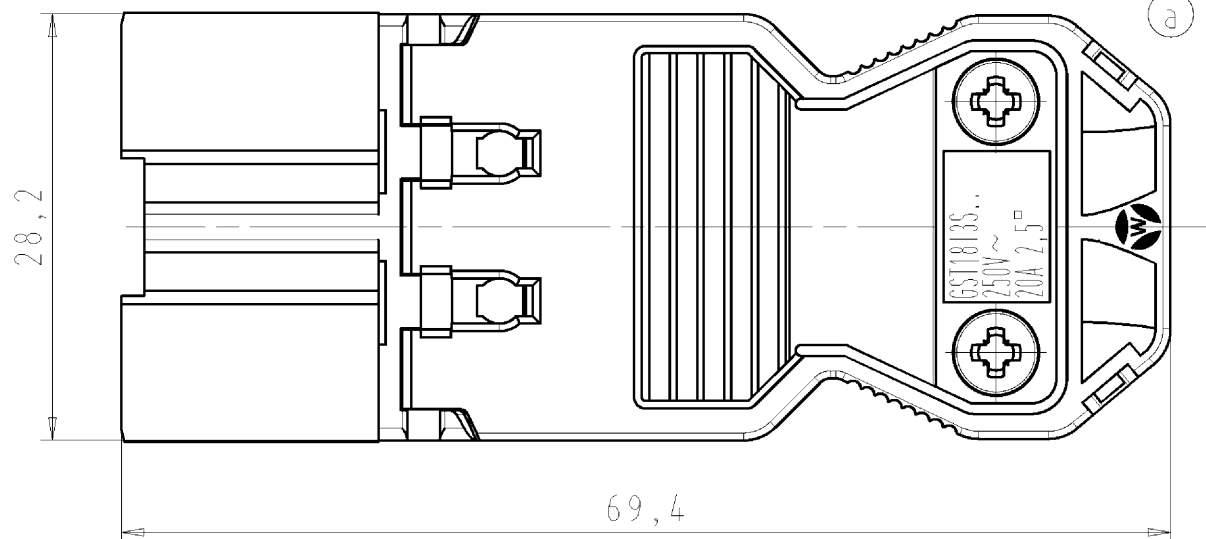
grau/grey  
 oder/or  
 tomatenrot/brilliant red



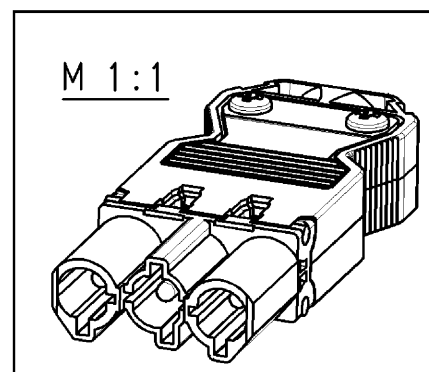
Ansicht in Pfeilrichtung X im montierten Zustand  
 view in direction of arrow X in assembled condition

Auslieferungszustand: unmontiert  
 delivery condition: unmounted

Weitere Daten siehe Katalog  
 further data see catalog



Teile-Nr. part-no.	Farbe colour	Typ type
92.932.3453.0	grau-schwarz grey-black	GST1813S S1 ZR1 GR01
92.932.3453.5	tomatenrot brilliant red	GST1813S S1 ZR1 TR01



Tolerierung Size ISO 14405/Tolerance system Size ISO 14405.  
 (This ISO-standard describes the envelope principle. According to the envelope principle the deviations of form and parallelism are limited by the size tolerances).

ja/yes  Stoffverbots- und Deklarationsliste nach UU-TOM-05/03 ist einzuhalten.  
 Conformity with Wieland document UU-TOM-05/03 (list of prohibited / declarable hazardous substances) to be declared!

Freitoleranz nach General tolerance	CAD - Zeichnung, keine manuellen Änderungen CAD - drawing, no manual modifications allowed	1. Verwendung: First Use:	Blatt: 1 von 1 Sheet: of 1
Werkstoff/Material	2009 Tag/Date Name	Zeichnung Nr./Drawing No. Index	
	gezeichnet/drawn 23.02. Dütsch T.	T 92.932.3453.0 01K b	
Maßstab/Scale	geprüft/checked	Maße in mm/Dimensions are in mm	
2:1	Normgepr. / Stand. check		
Vol. mm <sup>3</sup> Ofl./Surf. mm <sup>2</sup>	Ersatz für/Replacement for: -		
b 03.05.2013/ a 29.10.2012/ Index Datum / Blatt Date / Sheet	wieland Elektrische Verbindungen	Benennung/Titel MALE CONNECTOR WITH STRAIN RELIEF STECKERTEIL MIT ZUGENTLASTUNG Schraubanschluß / screw connection ⓐ 250V AC 20A 2,5qmm	
Änderung/Revision			

Weitergabe sowie Vervielfältigung dieses Dokuments, Verwertung und Mitteilung seines Inhalts sind verboten, soweit nicht ausdrücklich gestattet.  
 The reproduction, distribution and utilization of this document as well as the communication of its contents to others without express authorization is prohibited.

929323453001K\_2\_CADW3025\_Ritter\_2013-05-06T14:30:16 1.000