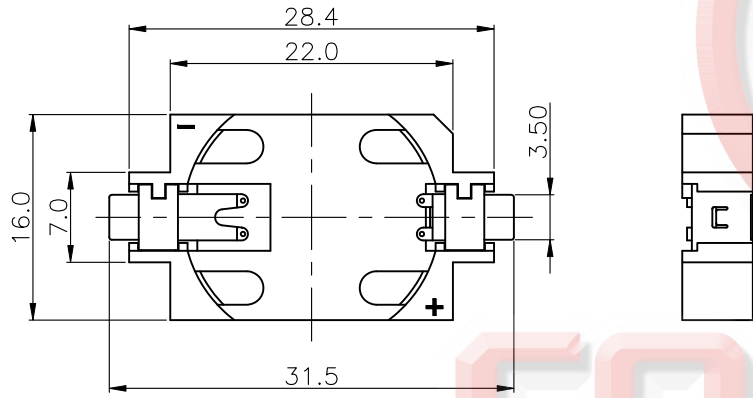


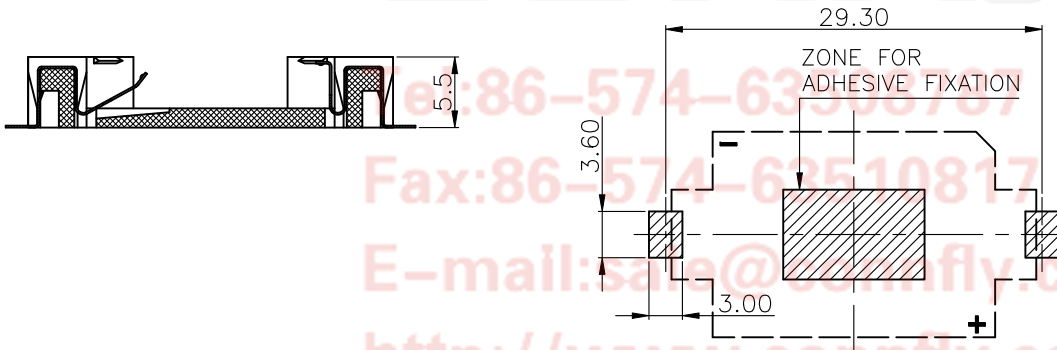
REV.	DESCRIPTION	DRAWN	CHECKED	APPROVED
A	NEW RELEASE	YCH 08/07/12'	~	LJC 08/07/12'
B	DRAWING UPDATE	JLZ 07/10/17'	~	



NOTE:

1. Materials:
 - 1.1 Base: Thermoplastic, UL94 V-0, Color of black.
Temp. Range: -25°C to +85°C.
 - 1.2 Positive & Negative Contacts: Copper Alloy.
2. Specification:
 - 2.1 Dielectric Withstanding Voltage: AC 500V AC.
 - 2.2 Insulation Resistance: 1000MΩ min.
 - 2.3 Contact Resistance: 100mΩ Max.
3. Part Number Code:
DS1092-10 - X X X

- Housing material:
L: LCP
- Contact plating:
6: Tin
8: Full gold flash
- Housing color:
W: White



Recommend PCB Layout
Tolerance=±0.05

Tel: 86-574-63533787
 Fax: 86-574-62510817
 E-mail: sale@connfly.com
 http://www.connfly.com
 Add: East Industrial Zone Kuang Yan
 Town Cixi Ningbo China
 P.C: 315333

GENERAL TOLERANCE		ANGLE TOLERANCE	
X.	±0.60	X.	±5°
.X	±0.38	.X	±3°
.XX	±0.25	.XX	±2°

PROJECTION	TITLE	2032 Lithium Coin Cell Battery Holders Horizontal insert SMT type	
UNITS	mm	SHEET SIZE	A4
SHEET SIZE	A4	SERIES	DS1092-10 Series

DRAWING TYPE	CUSTOMER		
SCALE	1:1	SHEET	10F1
DRAWING NO.	C-DS1092-10-XXX-B		

晨翔电子有限公司
CONNFLY CONNFLY ELECTRONIC CO. LTD