

## Data sheet

Commercial Art.No.: 92.232.8000.1

Cable assembly GST18i3K1BS 15 80SW

GST18i3 connection cable female - male, length 8.0 m, 3 pole, coding mains 250 V, 16 A, coding color black, strain relief color black, cable color black, cross section 1.5 mm<sup>2</sup>, cable type H05VV-F, fire class: Eca



Commercial Art.No.	92.232.8000.1
EAN	4015573361706
Order Unit	1

Certificates / Approvals



## Technical data

### General

Rated current	16 A
Rated voltage	250 V
Rated impulse voltage	4 kV
Pollution degree	2
Mechanical coding	Code 1
Lockable	self-locking (unlocking by tool)
Color of coding/ contact carrier	black
Marking of poles	L, N, PE
Color of housing inclusive strain relief	black

### Model

Nominal cross section conductor	1.5 mm <sup>2</sup>
Degree of protection (IP)	IP20
Cable type	H05VV-F
Cable color	black
Cable diameter max.	8.3 mm
Version of cable	female - male
Type of cord set	connecting cable
Version cable end 1	GST18i3 female
Version cable end 2	GST18i3 plug

### Material

Surface finish	Tin-plated
----------------	------------

halogen free	No
Continuous temperature of cable	70 °C
Insulation components continuous temperature	100 °C
Fire load	3.197 kWh
Fire class	Eca

#### Dimensions

Total length	8 m
--------------	-----

#### Classification

ECLASS 11	
ECLASS 8.1	27440604
ETIM 7.0	EC002587
ETIM 6.0	EC002587
ETIM 5.0	EC002587
ETIM 4.0	EC002587

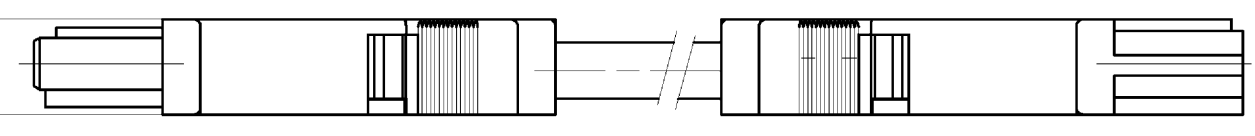
#### Product compliance

ROHS conformity status	Compliant/Exempted
ROHS exceptions	III-6(c)
REACH-SVHC conformity status	Duty-To-Declare
REACH-SVHC substances	Lead
REACH-SVHC CAS numbers	7439-92-1

#### Accessories

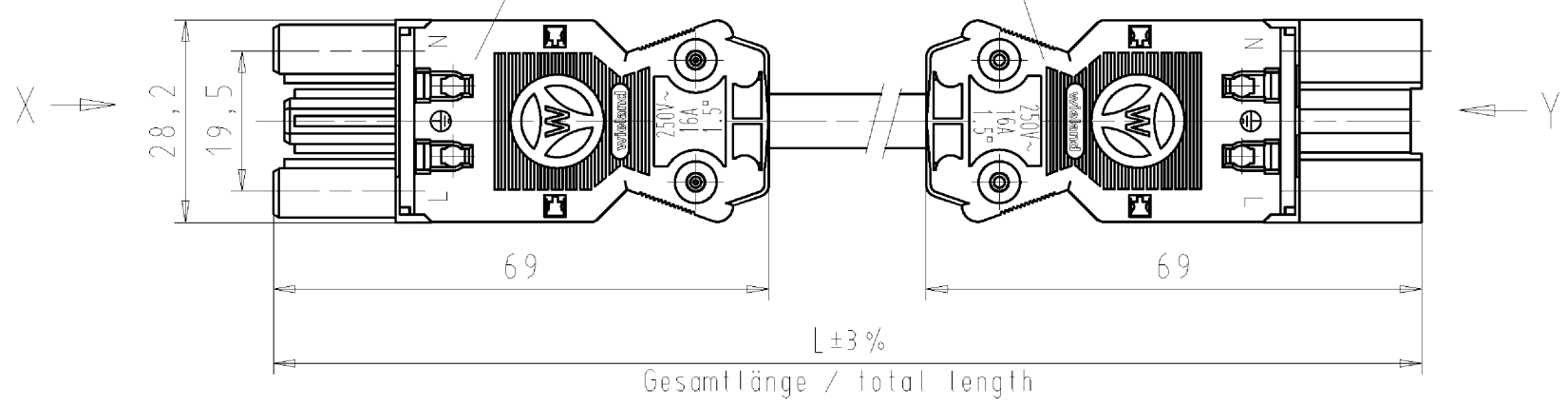
Commercial Art.No.:	Article-type description:	Description:
05.587.3156.0	Lock (G)ST18 WS	Locking device for cable to cable connection GST18i3-5, white
06.561.7853.0	mounting frame GST18i3 SW	Mounting frame to snap in GST18i3 connectors into a housing or furniture. Wall thickness: 1,5-2,5 mm. Holds GST18i3 connectors with screw or spring connection and pre- assembled cables.
05.561.3653.0	cover cap GST18i3VS B WS	Cover piece for female GST18i3, white
05.561.3653.1	cover cap GST18i3VS B SW	Cover piece for female GST18i3, black
05.564.5353.0	cover cap GST18i3/4/5 SW	Cover piece 12 pole black for female parts GST18i3-6
05.564.5353.2	cover cap GST18i3/4/5 WS	Cover piece 12 pole white for female parts GST18i3-6
05.594.4250.0	cover cap ST18/3B + GST18i3 ST WS	
05.594.4253.0	cover cap ST18/3B + GST18i3 ST WS	
05.587.3156.1	Lock (G)ST18 SW	Locking device for cable to cable connection GST18i3-5, black
06.560.0300.0	mounting part GST18i3 SW	Lock system to provide accidental disconnection of "flying donnections" and to fix these connections to cable ladders or cable trays. Reduction of shearing forces on the strain reliefs Colour: black

12,6



Buchsentteil/female connector

Steckerteil/male connector



Kabel/cable H05VV-F3G1,5  
Farbe/colour: siehe Tabelle/see table

.F	Farbe colour	Codierung "X" Buchse female	Codierung "Y" Stecker male	Kabelfarbe cable colour
.1	schwarz black	N ⊕ L	L ⊕ N	schwarz black
.2	weiß white	N ⊕ L	L ⊕ N	weiß white
.3	grau grey	N ⊕ L	L ⊕ N	schwarz black
.5	rot red	N ⊕ L	L ⊕ N	schwarz black

Typ/type: GST1813K1BS 15 .. SW = schwarz/black  
WS = weiß/white  
GR01 = grau/grey  
RT03 = rot/red

Weitere Daten siehe Katalog  
further data see catalog

Teile-Nr. part-no.	L	Beispiel (Farbe: schwarz) example (colour: black)	Typ type
92.232.XX00.F	XX in dm-Schritten	92.232.1000.1 = 10dm/L= 1000mm	GST1813K1BS 15 10SW
U2.232.XX00.F	XX in m-Schritten	U2.232.1200.1 = 12 m/L=12000mm	GST1813K1BS 15 X12SW
92.232.XX90.F	XX in dm-Schritten	92.232.1090.1 = 10dm/L= 1000mm	

90.F = spezielle Verpackung und Etikettierung nach A 1960.000  
special packaging and label according to A 1960.000

Tolerierung Size ISO 14405/Tolerance system Size ISO 14405.  
(This ISO-standard describes the envelope principle. According to the envelope principle the deviations of form and parallelism are limited by the size tolerances).

ja/yes  Stoffverbots- und Deklarationsliste nach UU-TQM-05/03 ist einzuhalten.  
Conformity with Wieland document UU-TQM-05/03 (list of prohibited / declarable hazardous substances) to be declared!

Freitoleranz nach General tolerance	-	CAD - Zeichnung, keine manuellen Änderungen CAD - drawing, no manual modifications allowed	1. Verwendung: First Use:	Blatt: 1 von 1 Sheet: of 1
Werkstoff/Material	2006 gezeichnet drawn 20.01. Dütsch T.	Tag/Date	Name	Zeichnung Nr./Drawing No. Index 92.232.0200.1 01K a
Maßstab/Scale	geprüft checked	-	-	
Vol.	mm <sup>3</sup>	Ofl./Surf.	mm <sup>2</sup>	Ersatz für/Replacement for: -
a	09.01.2013/ Datum / Blatt Date / Sheet	wieland Elektrische Verbindungen		PRE-ASSEMBLED CABLE KONFEKT_LEITUNG Buchse/female - Stecker/male 1,5qmm Crimpausführung/crimpversion K1 250V
Änderung/Revision				

These dimensions will be especially checked at delivery  
Only inspection dimensions  
With .F marked dimensions are only valid for internal use

Diese Maße werden bei Abnahme besonders geprüft  
Ausschließlich Prüfmaße  
Mit .F gekennzeichnete Maße sind nur für interne Zwecke gültig

922320200101K\_2\_CADW5027 Dütsch 2013-01-10T07:58:22 1.000