

High - output Piezo Alarm Transducer



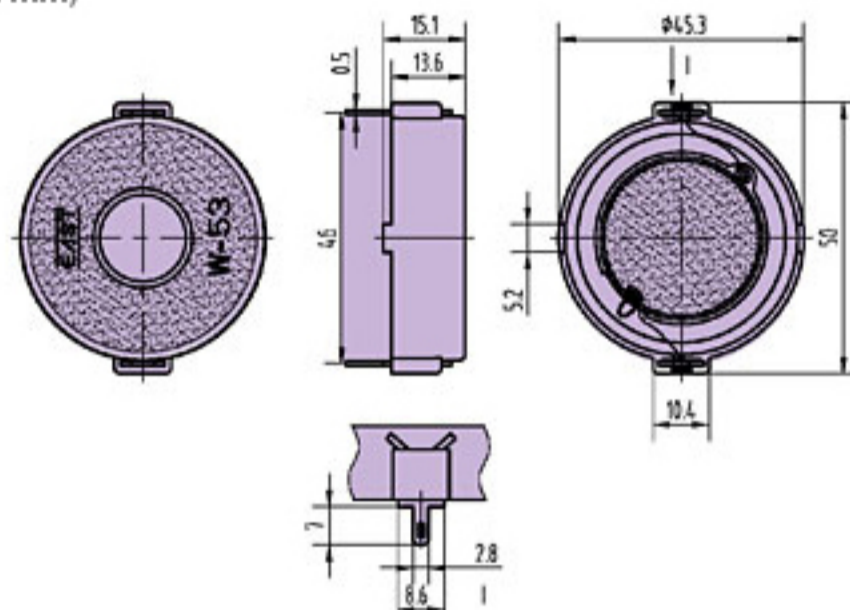
• W-53A



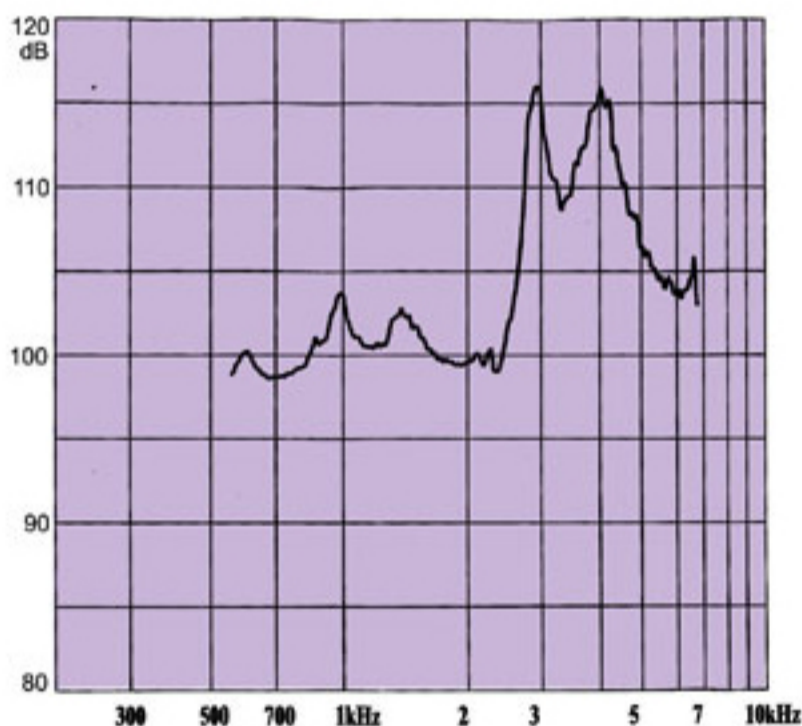
FEATURES:

- Low Frequency and Wide Frequency
- High Output and High Impedanc
- A Glass Reinforced Nylon Housing

DIMENSIONS: (Unit: mm)



CHARACTERISTICS:



ELECTRICAL SPECIFICATIONS :

Min. Sound Pressure Level (dB)	105 /3±0.5kHz/18Vp-pSquare Wave/30cm
Max. Consumption (mA)	2/4.0kHz/3Vp-pSquare Wave
Capacitance at 100Hz (nF)	140 ± 30
Allowable Input Voltage (Vp-p)	50
Operating Temperature (°C)	-20 ~ +70
Weight (g)	10
Case Material/Colour	PA66+30%Glass Fiber/Black

PACKING INFORMATION :

Packing :	480 pcs per export carton
Carton Size :	47 X 30.5 X 31 cm
G. Weight :	6.3 kgs
N. Weight :	4.8 kgs