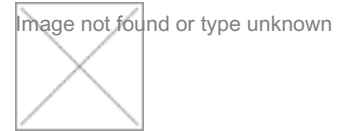


Data sheet

Commercial Art.No.: 91.030.5953.0

Distributor GST15I3Z 1P1 V WS

GST15i3 intermediate coupling (I-form), 3 pole, 1 input 1 output, without mounting option, coding mains 250 V, 16 A, coding color white



Commercial Art.No.	91.030.5953.0
EAN	4049088044083
Order Unit	1

Certificates / Approvals



Technical data

General

Rated current	16 A
Rated voltage	250 V
Rated impulse voltage	4 kV
Pollution degree	2
Mechanical coding	Code 1
Lockable	self-locking (unlocking by tool)
Color of coding/ contact carrier	white
Marking of poles	L, N, PE

Model

Number of inputs	1
Number of outputs	1
Type of fastening	No
Degree of protection (IP)	IP20
Type of distributor	intermediate coupling

Material

Housing material	Polyamide
halogen free	yes
Contact material	CuZn
Fire load	0.03 kWh
Insulation components continuous temperature	100 °C
Surface finish	Silver-plated

Dimensions

Length	32.4 mm
Width	21.4 mm
Height	12.5 mm

Classification

ECLASS 11	
-----------	--

ECLASS 8.1	27440603
ETIM 7.0	EC002567
ETIM 6.0	EC002567
ETIM 5.0	EC002567
ETIM 4.0	EC002567

Product compliance

ROHS conformity status	Compliant/Exempted
ROHS exceptions	III-6(c)
REACH-SVHC conformity status	Duty-To-Declare
REACH-SVHC substances	Lead
REACH-SVHC CAS numbers	7439-92-1

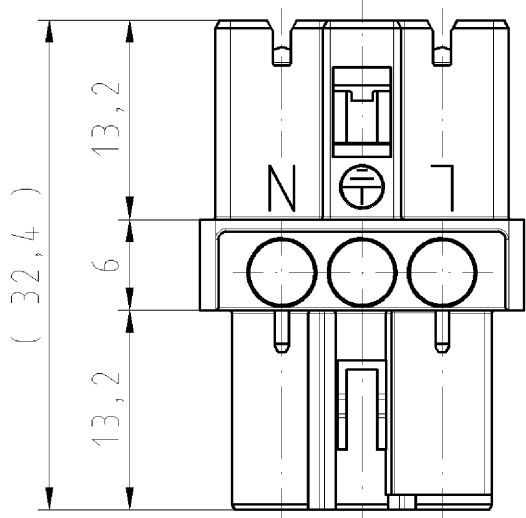
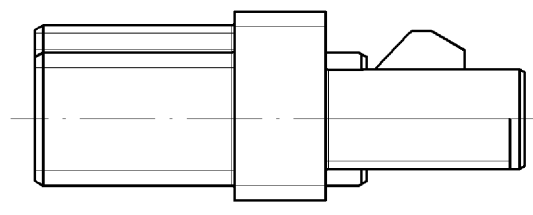
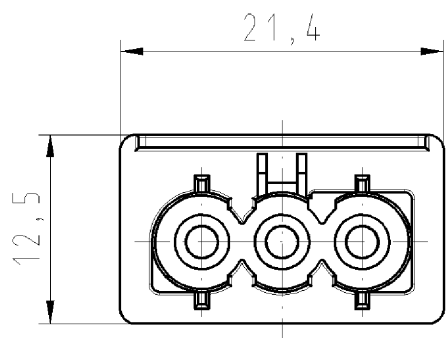
Accessories

Commercial Art.No.:	Article-type description:	Description:
07.418.9153.1	Supporting plate GST15 h-/H-VT	gegis®-Mounting plate for GST15 h- and H-distributors. Wall mounting with screws; fixing on cable trays with moulded expanding rivets; lying distributor mounting

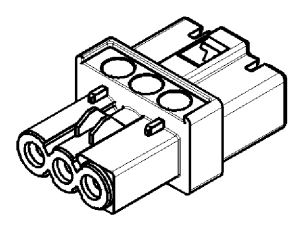
A
B
C
D
E
F

These dimensions will be especially checked at delivery
Only inspection dimensions
With /E marked dimensions are only valid for internal use

Diese Maße werden bei Abnahme besonders geprüft
Ausschließlich Prüfmaße
Mit /E gekennzeichnete Maße sind nur für interne Zwecke gültig



1:1



Weitergabe sowie Vervielfältigung dieses Dokuments, Verwertung und Mitteilung seines Inhalts sind verboten, soweit nicht ausdrücklich gestattet. Die Reproduktion, Distribution und Utilization of this document as well as the communication of its contents to others without express authorization is prohibited.

Teile-Nr./part no.	Farbe/colour
91.030.5953.0	weiß/white, RAL 9003
91.030.5953.1	schwarz/black, RAL 9005

Tolerierung nach DIN 7167/Tolerance system acc. to DIN 7167. (This DIN-standard describes the envelope principle. According to the envelope principle the deviations of form and parallelism are limited by the size tolerances). ja/yes Stoffverbots- und Deklarationsliste nach UU-TQM-05/03 ist einzuhalten. Conformity with Wieland document UU-TQM-05/03 (list of prohibited / declarable hazardous substances) to be declared!

Freitoleranz nach General tolerance CAD - Zeichnung, keine manuellen Änderungen CAD - drawing, no manual modifications allowed 1.Verwendung: First Use: Blatt: 1 von 1 Sheet: 1 of 1

	/		Werkstoff/Material	2008	Tag/Date	Name	Zeichnung Nr./Drawing No.	Index
	/		Farbe/colour:	gezeichnet drawn	09.10.	Pfaff	T 91.030.5953.0 01K	
	/	Maßstab/Scale	siehe Tabelle/see table	geprüft checked	-	-		
	/	2:1		Normgepr. Stand. check	-	-		
	/	Vol.	mm ³ Of1./Surf.	mm ²	Ersatz für/Replacement for: -			Maße in mm/Dimensions are in mm
	/		wieland	Type	Benennung/Title			
Index	Datum / Blatt Date / Sheet	Elektrische Verbindungen		ZWISCHENKUPPLUNG				
Änderung/Revision				plug adapter				
				für/for GST15i3 - Netzanschluss/main connection				

910305953001K_4_CADW1038_Pfaff_2008-12-10T09:32:59 1.000