

## Data sheet

Commercial Art.No.: 96.032.4053.1

Connector RST20i3S S1 ZR1 V SW

RST20i3 connector, 3 pole, male, screw connection, application 250V with PE, 20A, for cable diameters 6-10mm, coding color black, color of housing black



Commercial Art.No.	96.032.4053.1
EAN	4015573769700
Order Unit	1

Certificates / Approvals



## Technical data

### General

Rated current	20 A
Rated voltage	250 V
Rated impulse voltage	4 kV
strain relief	yes
Pollution degree	3
Lockable	self-locking (unlocking by tool)
Color of coding/ contact carrier	black
Marking of poles	L, N, PE
Color of housing inclusive strain relief	black

### Connection Data

Cable diameter max.	10 mm
Cable diameter min.	6 mm
Connection cross section solid mm <sup>2</sup> max.	6 mm <sup>2</sup>
Connection cross section solid mm <sup>2</sup> min.	0.75 mm <sup>2</sup>
Connection cross section solid AWG min.	16 AWG
Connection cross section solid AWG max.	10 AWG
Connection cross section fine stranded mm <sup>2</sup> max.	6 mm <sup>2</sup>
Connection cross section fine stranded mm <sup>2</sup> min.	0.75 mm <sup>2</sup>
Terminations per pole	1
Connection cross section stranded mm <sup>2</sup> min.	0.75 mm <sup>2</sup>
Connection cross section stranded mm <sup>2</sup> max.	6 mm <sup>2</sup>
Connection cross section stranded AWG min.	16 AWG
Connection cross section stranded AWG max.	10 AWG
sheath strip length	26.5 mm
Wire strip length	8 mm

**Model**

Model	male
Connection type	screw connection
Degree of protection (IP)	IP66/68 (3m;2h) /IP69

**Material**

Housing material	Polyamide
halogen free	yes
Contact material	CuZn
Fire load	0.267 kWh
Insulation components continuous temperature	100 °C
Surface finish	Silver-plated

**Dimensions**

Length	79.1 mm
Width	34.6 mm
Height	34.6 mm

**Classification**

ECLASS 11	
ECLASS 8.1	27440605
ETIM 7.0	EC002560
ETIM 6.0	EC002560
ETIM 5.0	EC002560
ETIM 4.0	EC002560

**Note**

Note	RST® terminals with screw clamping allow the connection of conductors without special preparation (without ferrules) according to EN 60999-1.
------	---

**Product compliance**

ROHS conformity status	Compliant/Exempted
ROHS exceptions	III-6(c)
REACH-SVHC conformity status	Duty-To-Declare
REACH-SVHC substances	Lead
REACH-SVHC CAS numbers	7439-92-1

**Accessories**

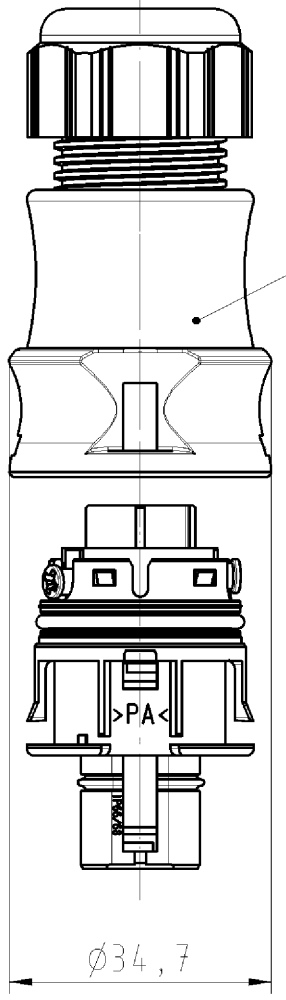
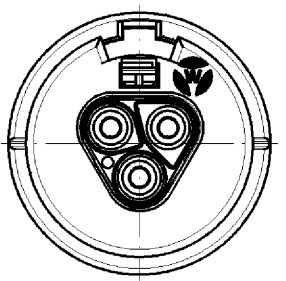
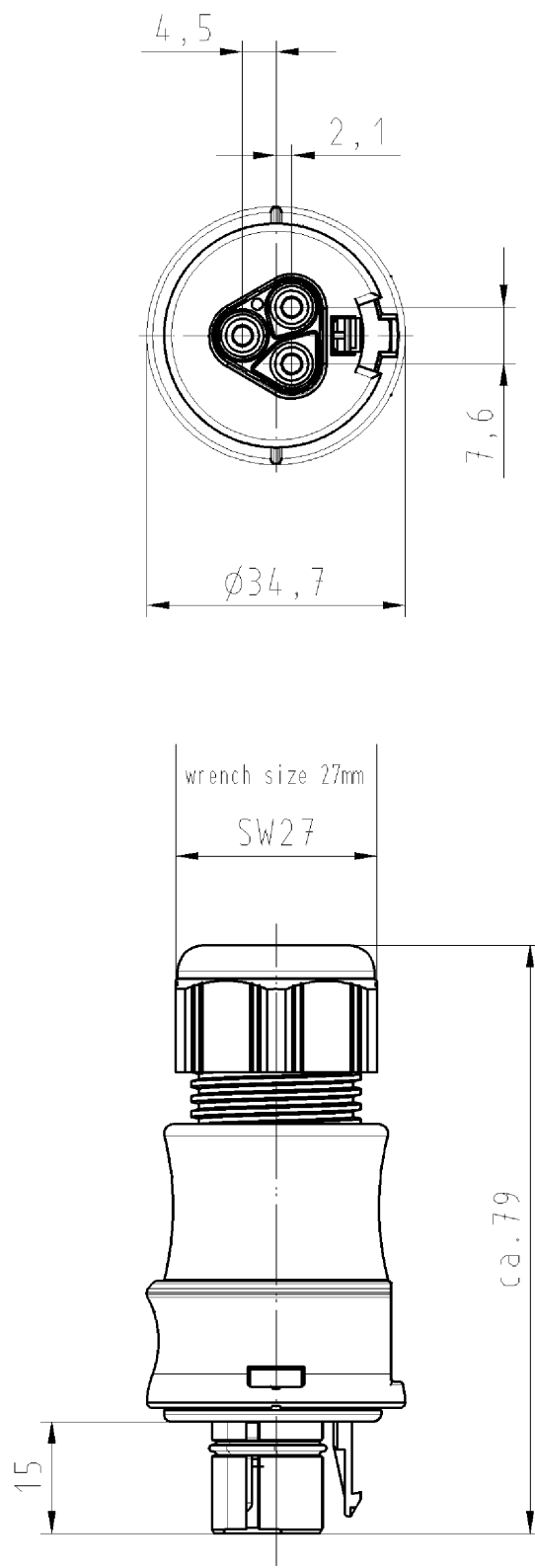
Commercial Art.No.:	Article-type description:	Description:
05.564.4453.1	Cover for male connector SW	RST20i3/2 cover piece, for covering unused male connectors, color black
99.416.6205.2	Cover for male connector SW	RST20i3/2 cover piece, for covering unused male connectors, with fastening belt, color black

**Fits with**

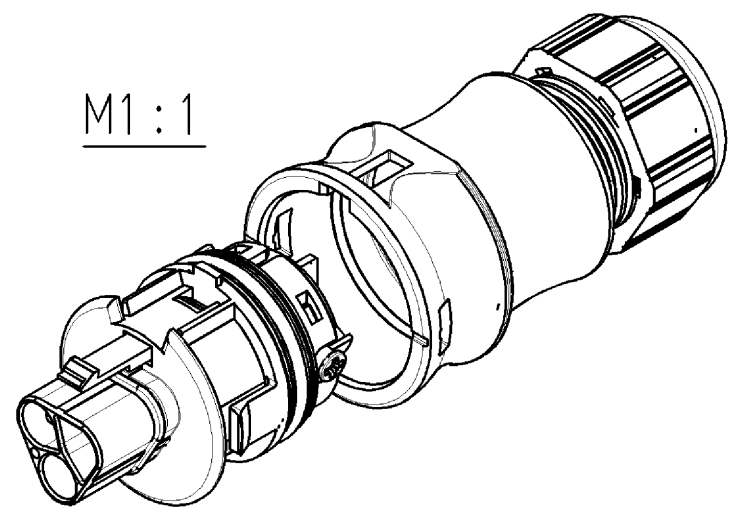
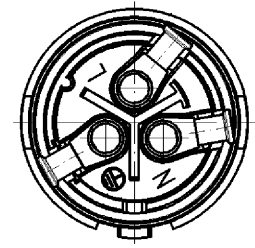
Commercial Art.No.:	Article-type description:	Description:

96.030.0153.1	Distributor RST20i3V 3P1 F V SW	RST20i3 distribution block, 3 pole, application 250V with PE, 20A, 1 input and 3 outputs, with fastening option, coding color black, color of housing black
96.031.4053.1	Connector RST20i3S B1 ZR1 SW	RST20i3 connector, 3 pole, female, screw connection, application 250V with PE, 20A, for cable diameters 6-10mm, coding color black, color of housing black
96.033.4053.1	Connector RST20i3S B1 YR1 SW	RST20i3 connector (90° angled), 3 pole, female, screw connection, application 250V with PE, 20A, for cable diameters 6-10mm, coding color black, color of housing black
96.031.5053.1	Device connector RST20i3S B1 M01 SW	RST20i3 device connector M25, 3 pole, female, screw connection, application 250V with PE, 20A, coding color black
96.031.6153.1	Device connector RST20i3S B1 M03 SW	RST20i3 device connector M16, 3 pole, female, screw connection, modular, application 250V with PE, 20A, coding color black, color of housing black
96.031.6053.1	Device connector RST20i3S B1 M00 SW	RST20i3 device connector M20, 3 pole, female, screw connection, modular, application 250V with PE, 20A, coding color black, color of housing black
96.033.6053.1	Device connector RST20i3S B1 M90 SW	RST20i3 device connector (90° angled) M20, 3 pole, female, screw connection, modular, application 250V with PE, 20A, coding color black, color of housing black
96.035.6153.1	Device connector RST20i3S B1 M13 SW	RST20i3 device connector (7° angled) M16, 3 pole, female, screw connection, modular, application 250V with PE, 20A, coding color black, color of housing black
99.929.0000.7	Distributor RST20i3B 7P1 V SW	RST20i3 multi-distribution unit, 3 pole, application 250V, 20A, 1 input and 7 outputs, mounting option, coding color black, color of housing black

- Diese Maße werden bei Abnahme besonders geprüft
- Ausschließlich Prüfmaße
- Mit /E gekennzeichnete Maße sind nur für interne Zwecke gültig



Schnitt A-A  
section A-A



Verpackungseinheit: je 100 Stück  
packaging unit: per 100

Teile-Nr./ part-nr.	Farbe:/ color:	Einz.-Tl.-Nr.: *)/ single-part-nr.:*)
96.032.4053.1	schwarz, ähnl. RAL 9005/ black, similar to RAL 9005	.....1
96.032.4053.0	lichtgrau, ähnl. RAL 7035/ lightgrey, similar to RAL 7035	.....0

Freitoleranz nach		CAD - Zeichnung, keine manuellen Änderungen			I. Verwendung: -		Bl.: 1 von 1	
	Maßstab	Werkstoff und Oberfläche: material and surface: Farbe: siehe Tabelle color: look table		2004	Tag	Name	Zeichnung Nr.	
	1:1			Entworfen	27.02.	Kneitz	T 96.032.4053.0 01K a	
	Vol.	mm <sup>3</sup>	Ofl.	mm <sup>2</sup>	Normgepr.	-	Ersatz für: -	
a	10.05.2005/	wieland		Type	Benennung			
Buchstabe	Datum / Blatt	Elektrische Verbindungen		RST2013	STECKERTEIL MIT ZUGENTLASTUNG			
Änderung				S S1 ZR1 V	male connector with cord grip screw-connection without wire protection/Schraubanschluß ohne Drahtschutz			

Weitergabe sowie Vervielfältigung dieses Dokuments, Verwertung und Mitteilung  
 seines Inhalts sind verboten, soweit nicht ausdrücklich gestattet.  
 The reproduction, distribution and utilization of this document as well as the  
 communication of its contents to others without express authorization is prohibited.