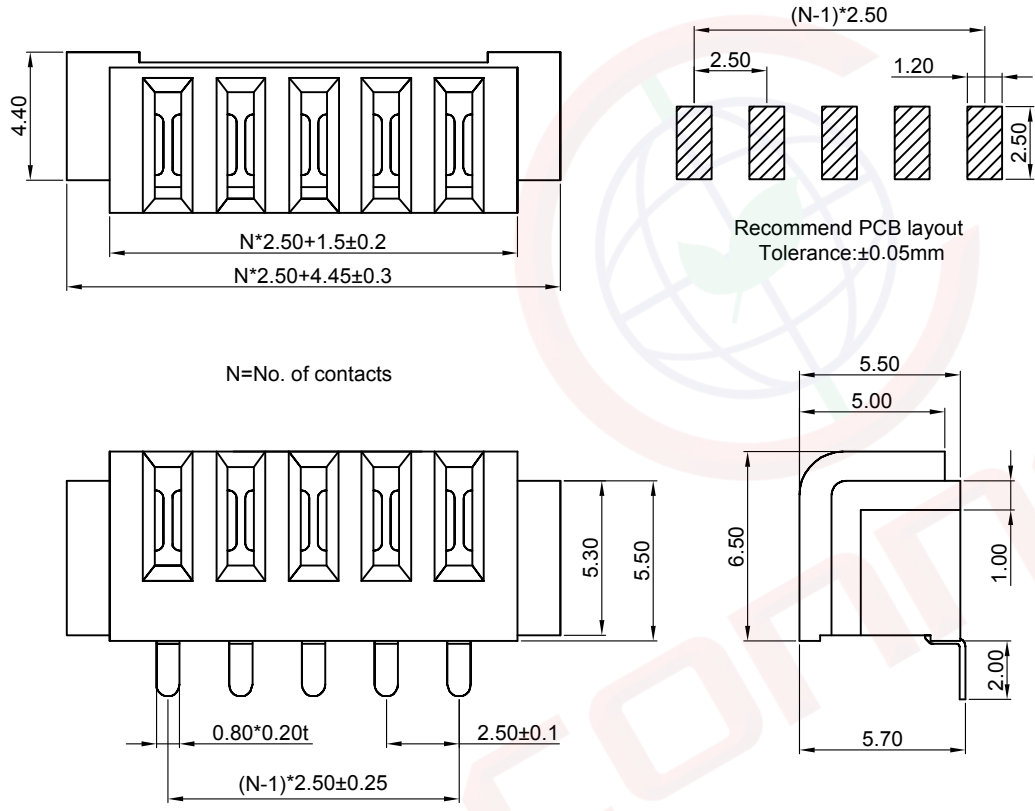


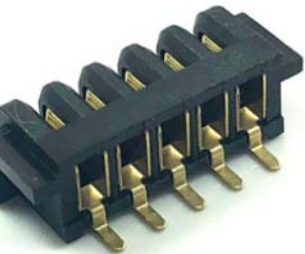
Dept	
Qty	
DC	1
ED	1
IE	1
ISO	1
PD	1
R&D	1
SD	1
QA	1
QC	1
QF	1

REV.	DESCRIPTION	DRAWN	CHECKED	APPROVED
A	NEW RELEASE	JLZ 03/31/23'		

The information provided herein is from CONNELY Electronic Co., Ltd. and is confidential. Any disclosure to a party other than the recipient is prohibited. The intellectual properties and its rights contained herein, including but not limited to, trademarks, patents, copyrights, trade secrets, and technical know-how, are owned exclusively by CONNELY or its affiliates. Unauthorized use or reproduction of any part of this document is strictly prohibited. CONNELY may enforce its intellectual property rights at its own discretion, failures or delays to exercise such rights does not constitute a waiver of such rights.



Recommend PCB layout
Tolerance: $\pm 0.05\text{mm}$



(Series Image-Reference Only)

Notes:

Specifications:

- Contact Resistance: 30mΩ Max.
- Insulation Resistance: 100MΩ Min.
- Dielectric Withstanding Voltage: 500V AC(rms) For 1 Minute.
- Current Rating: 7A @ 30V.
- Temperature: -40°C~+105°C.

Materials:

- Contact Material: Copper Alloy.
- Contact Plating: Gold Plating Over Nickel.
- Insulator Material: PA-9T, Black, UL94-V0.

Product Number Code:

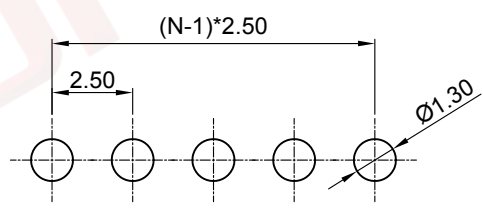
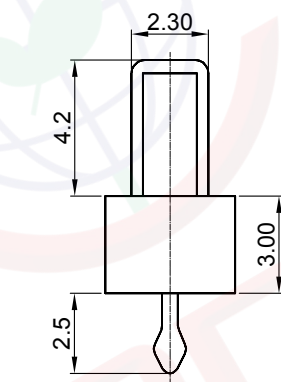
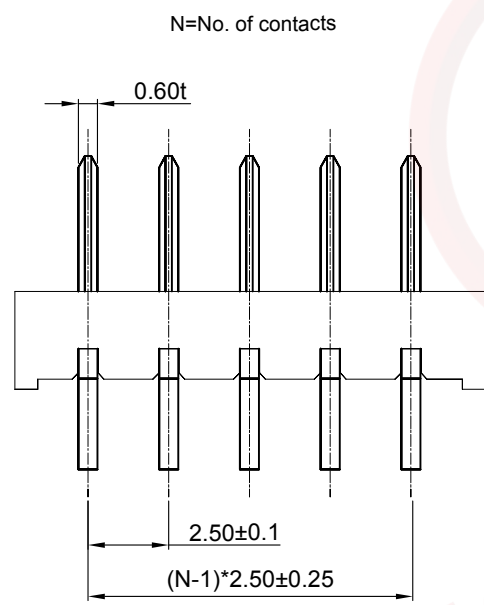
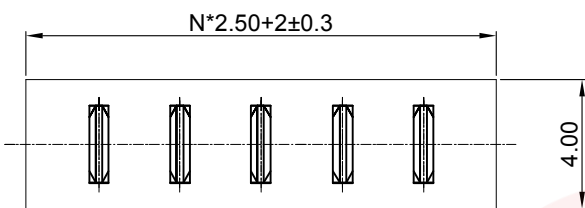
DS1149-07 - X X X X X X

- Packing type
R: Tape on reel
- Contact plating
8: Full gold flash
- Housing color
B: Black
- Mounting type
M: SMT type
- Connector type
S: Socket
- No. of contacts
3~11: 3~11Pin

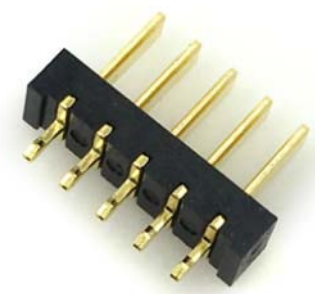
GENERAL TOLERANCE		ANGLE TOLERANCE		PROJECTION		TITLE	
X.	± 0.60	X.	$\pm 5^\circ$	UNITS	mm	2.50mm Battery Holder(3~11P)	
.X	± 0.38	.X	$\pm 3^\circ$	SHEET SIZE	A4	SERIES	DS1149-07 SERIES
.XX	± 0.25	.XX	$\pm 2^\circ$	晨翔电子有限公司 CONNFLY CONNELY ELECTRONIC CO. LTD			
DRAWING TYPE		CUSTOMER					
SCALE	1:1	SHEET	1 OF 3				
DRAWING NO.		C-DS1149-07-XXXXXX-A					

Dept	
Qty	
DC	1
ED	1
IE	1
ISO	1
PD	1
R&D	1
SD	1
QA	1
QC	1
QE	1

The information provided herein is from CONNELY Electronic Co., Ltd. and is confidential. Any disclosure to a party other than the recipient is prohibited. The intellectual properties and its rights contained herein, including but not limited to, trademarks, patents, copyrights, trade secrets, and technical know-how, are owned exclusively by CONNELY or its affiliates. Unauthorized use or reproduction of any part of this document is strictly prohibited. CONNELY may enforce its intellectual property rights at its own discretion, failures or delays to exercise such rights does not constitute a waiver of such rights.



Recommend PCB layout
Tolerance:±0.05mm



(Series Image-Reference Only)

REV.	DESCRIPTION	DRAWN	CHECKED	APPROVED
A	NEW RELEASE	JLZ 03/31/23'		

Notes:

Specifications:

- Contact Resistance: 30mΩ Max.
- Insulation Resistance: 100MΩ Min.
- Dielectric Withstanding Voltage: 500V AC(rms) For 1 Minute.
- Current Rating:7A @ 30V.
- Temperature: -40°C~+105°C.

Materials:

- Contact Material: Copper Alloy.
- Contact Plating: Gold Plating Over Nickel.
- Insulator Material: PA-9T,Black,UL94-V0.

Product Number Code:

DS1149-07 - X X X X X X

- Packing type
P: Polybag
- Contact plating
8: Full gold flash
- Housing color
B: Black
- Mounting type
V: V/T type
- Connector type
P: Plug
- No. of contacts
3~11: 3~11Pin

GENERAL TOLERANCE		ANGLE TOLERANCE	
X.	±0.60	X.	±5°
.X	±0.38	.X	±3°
.XX	±0.25	.XX	±2°
DRAWING TYPE		CUSTOMER	
SCALE		1:1	SHEET 2 OF 3
DRAWING NO.		C-DS1149-07-XXXXXX-A	

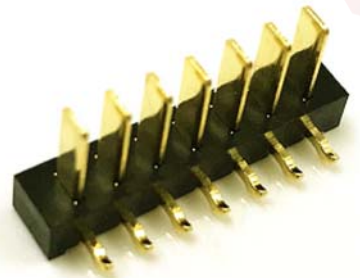
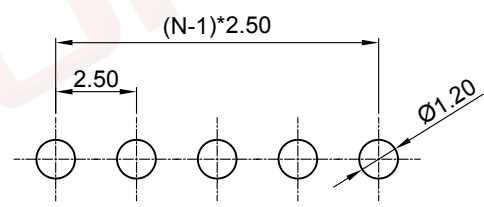
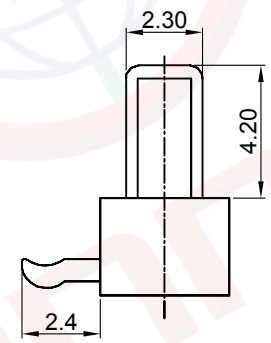
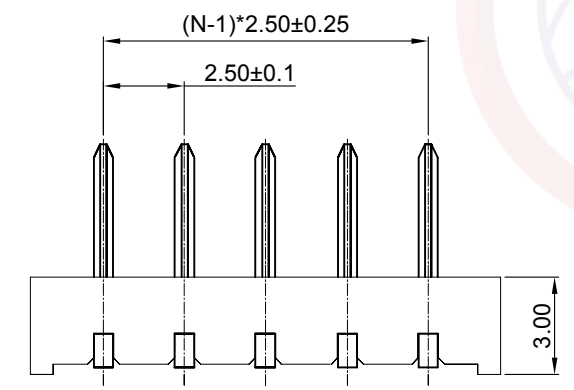
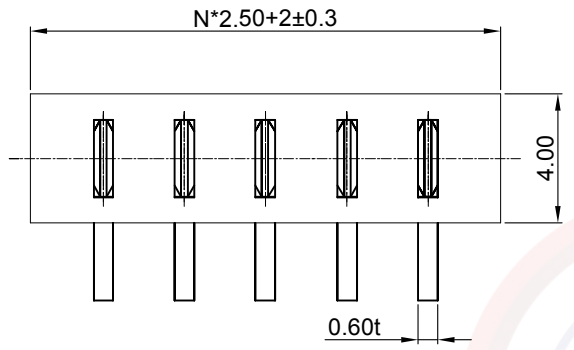
PROJECTION		TITLE	2.50mm Battery Holder(3~11P)
UNITS	mm		
SHEET SIZE	A4	SERIES	DS1149-07 SERIES

晨翔电子有限公司
CONNFLY CONNELY ELECTRONIC CO. LTD

Dept	
Qty	
DC	1
ED	1
IE	1
ISO	1
PD	1
R&D	1
SD	1
QA	1
QC	1
QE	1

The information provided herein is from CONNELY Electronic Co., Ltd. and is confidential. Any disclosure to a party other than the recipient is prohibited. The intellectual properties and its rights contained herein, including but not limited to, trademarks, patents, copyrights, trade secrets, and technical know-how, are owned exclusively by CONNELY or its affiliates. Unauthorized use or reproduction of any part of this document is strictly prohibited. CONNELY may enforce its intellectual property rights at its own discretion, failures or delays to exercise such rights does not constitute a waiver of such rights.

REV.	DESCRIPTION	DRAWN	CHECKED	APPROVED
A	NEW RELEASE	JLZ 03/31/23'		



(Series Image-Reference Only)

Recommend PCB layout
Tolerance: ±0.05mm

Notes:

Specifications:

- Contact Resistance: 30mΩ Max.
- Insulation Resistance: 100MΩ Min.
- Dielectric Withstanding Voltage: 500V AC(rms) For 1 Minute.
- Current Rating: 7A @ 30V.
- Temperature: -40°C ~ +105°C.

Materials:

- Contact Material: Copper Alloy.
- Contact Plating: Gold Plating Over Nickel.
- Insulator Material: PA-9T, Black, UL94-V0.

Product Number Code:

DS1149-07 - X X X X X X

- Packing type
P: Polybag
- Contact plating
8: Full gold flash
- Housing color
B: Black
- Mounting type
R: R/A type
- Connector type
P: Plug
- No. of contacts
3~11: 3~11Pin

GENERAL TOLERANCE		ANGLE TOLERANCE	
X.	±0.60	X.	±5°
.X	±0.38	.X	±3°
.XX	±0.25	.XX	±2°
DRAWING TYPE		CUSTOMER	
SCALE	1:1	SHEET	3 OF 3
DRAWING NO.	C-DS1149-07-XXXXXX-A		

PROJECTION	TITLE
	2.50mm Battery Holder(3~11P)
UNITS	mm
SHEET SIZE	A4
SERIES	DS1149-07 SERIES

晨翔电子有限公司
CONNFLY CONNELY ELECTRONIC CO. LTD