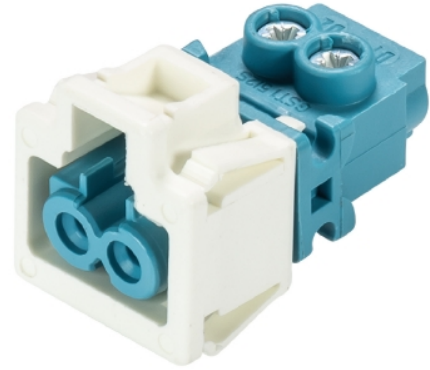


## Data sheet

Commercial Art.No.: 91.921.9453.0

Device connector GST15i2S B1 R WW PB01

GST15i2 device connector, 2 pole, snap-in female, coding not SELV, 6 A, coding color pastel blue, color snap-in frame white



Commercial Art.No.	91.921.9453.0
EAN	4015573910416
Order Unit	1

Certificates / Approvals



## Technical data

### General

Rated current	6 A
Rated voltage	250 V
Pollution degree	2
Mechanical coding	yes
Rated impulse voltage	4 kV
Lockable	self-locking (unlocking by tool)
Color of coding/ contact carrier	pastel blue
Marking of poles	D1, D2
Color of separate adapter (if present)	white

### Connection Data

Connection cross section solid mm <sup>2</sup> max.	2.5 mm <sup>2</sup>
Connection cross section solid mm <sup>2</sup> min.	0.5 mm <sup>2</sup>
Connection cross section fine stranded mm <sup>2</sup> max.	2.5 mm <sup>2</sup>
Connection cross section fine stranded mm <sup>2</sup> min.	0.5 mm <sup>2</sup>
Terminations per pole	1
Wire strip length	8 mm

### Model

Model	female
Connection type	screw connection
Angle of plug	straight
Degree of protection (IP)	IP20

Thickness of housings (electrical device) 2	0.5 mm
Thickness of housings (electrical device)	1.5 mm
built-in component	snap-in

**Material**

Housing material	Polyamide
halogen free	yes
Contact material	CuZn
Fire load	0.031 kWh
Insulation components continuous temperature	100 °C
Surface finish	Silver-plated

**Dimensions**

Length	30.2 mm
Width	18 mm
Height	19.6 mm

**Classification**

ECLASS 11	
ECLASS 8.1	27440602
ETIM 7.0	EC002566
ETIM 6.0	EC002566
ETIM 5.0	EC002566
ETIM 4.0	EC002566

**Product compliance**

ROHS conformity status	Compliant/Exempted
ROHS exceptions	III-6(c)
REACH-SVHC conformity status	Duty-To-Declare
REACH-SVHC substances	Lead
REACH-SVHC CAS numbers	7439-92-1

# Montagemöglichkeit "I"

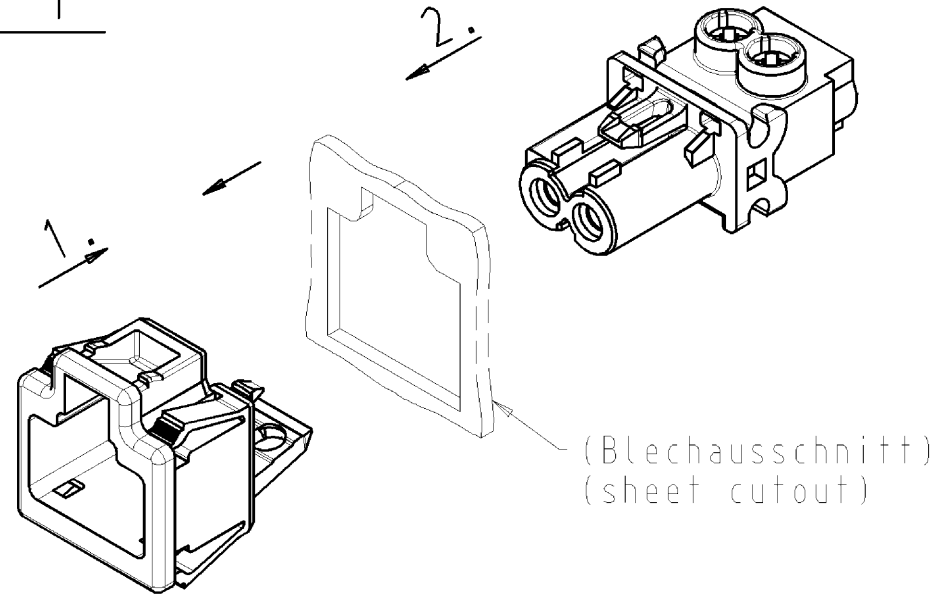
## Montageschritte

1. Snap-In-Rahmen in Blechausschnitt stecken
2. Buchse in Snap-In-Rahmen stecken

### mounting option "I"

#### assembly steps:

1. Snap-in frame mounted in sheet cutout
2. female connector mounted in Snap-in frame



# Montagemöglichkeit "II"

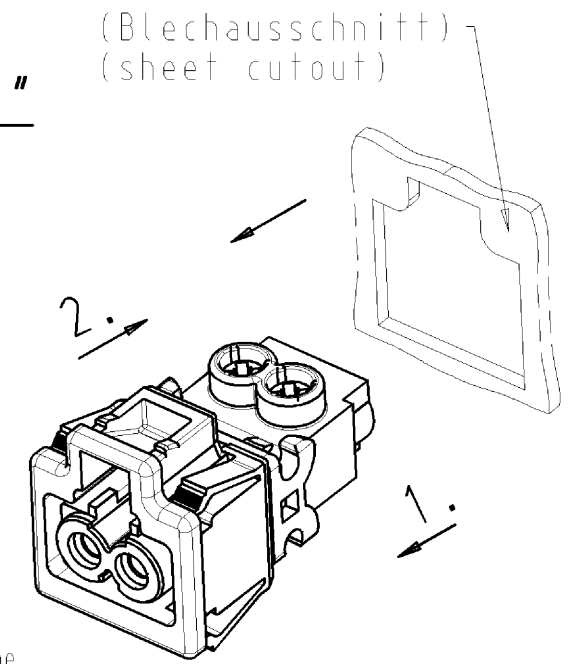
## Montageschritte

1. Buchse in Snap-In-Rahmen stecken
2. Buchse mit Snap-In-Rahmen in Blechausschnitt stecken

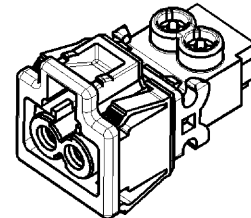
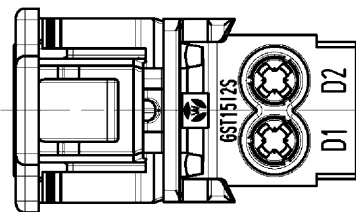
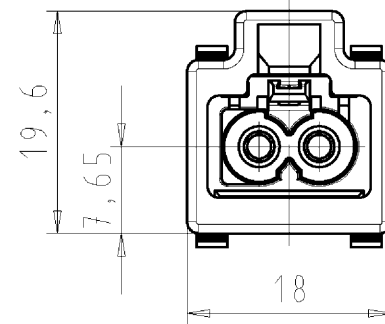
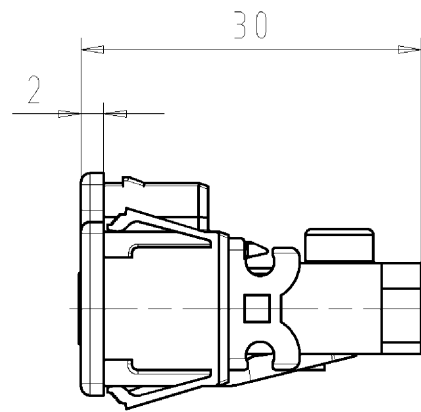
### mounting option "II"

#### assembly steps:

1. female connector mounted in Snap-in frame
2. female connector with Snap-in frame mounted in sheet cutout



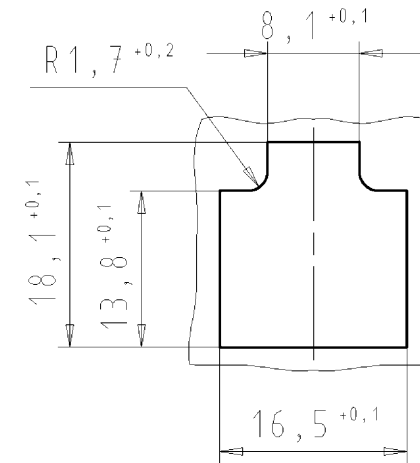
## montierter Zustand (kein Auslieferungszustand) assembled version (no delivery status)



## Blechausschnitt

### sheet cutout

t=0,5-1,5



Weitere Daten siehe Katalog  
further data see catalog

Teile-Nr. part-no.	Farbe colour
91.921.9453.1	schwarz, ähnl. RAL 9005 black, similar to RAL 9005
91.921.9453.0	weiß, ähnl. RAL 9003 white, similar to RAL 9003

Tolerierung nach DIN 7167/Tolerance system acc. to DIN 7167.  
(This DIN-standard describes the envelope principle. According to the envelope principle the deviations of form and parallelism are limited by the size tolerances).

ja/yes  Stoffverbots- und Deklarationsliste nach UU-TOM-05/03 ist einzuhalten.  
Conformity with Wieland document UU-TOM-05/03 (list of prohibited / declarable hazardous substances) to be declared!

Freitoleranz nach General tolerance		CAD - Zeichnung, keine manuellen Änderungen CAD - drawing, no manual modifications allowed		1. Verwendung: First Use:		Blatt: 1 von 1 Sheet: of 1	
/		Werkstoff/Material Farbe: siehe Tabelle colour: see table		2011 Tag/Date Name		Zeichnung Nr./Drawing No.	
/		Maßstab/Scale		gezeichnet drawn geprüft checked		T 91.921.9453.0 01K	
/		%		Normgepr. Stand. check		Index	
/		Vol. mm <sup>3</sup> Ofl./Surf. mm <sup>2</sup>		Ersatz für/Replacement for: -		Maße in mm/Dimensions are in mm	
/		wieland		Type		Benennung/Tittle	
/		Elektrische Verbindungen		FEMALE CONNECTOR SNAP IN BUCHSENT_SNAP_IN		GST1512SB1 R .. (Dimmen/dimming)	
Index		Datum / Blatt Date / Sheet		Änderung/Revision			

These dimensions will be especially checked at delivery  
Only inspection dimensions  
With /E marked dimensions are only valid for internal use

Diese Maße werden bei Abnahme besonders geprüft  
Ausschließlich Prüfmaße  
Mit /E gekennzeichnete Maße sind nur für interne Zwecke gültig

Weitergabe sowie Vervielfältigung dieses Dokuments, Verwertung und Mitteilung seines Inhalts sind verboten, soweit nicht ausdrücklich gestattet.  
The reproduction, distribution and utilization of this document as well as the communication of its contents to others without express authorization is prohibited.

91\_921\_9453\_0\_01K\_11-01-14\_10h50m48s\_2\_CADW2037\_Duetsch 2011-01-14T10:51:05 1.000