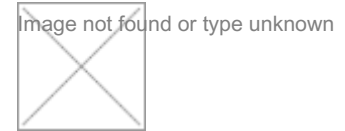


## Data sheet

Commercial Art.No.: 94.435.1004.1

Cable assembly BST14I3KF-S 50 10SW

BST14i3 extension cable male - free end, length 1.0 m, 3 pole, coding SELV, 3 A, coding color black, strain relief color black, grey, cross section 0.5 mm<sup>2</sup>, cable type FB-2Y (ST) Y, fire class: Eca



Commercial Art.No.	94.435.1004.1
EAN	4015573547346
Order Unit	1

Certificates / Approvals



## Technical data

### General

Rated current	3 A
Rated voltage	50 V
Rated impulse voltage	0.8 kV
Pollution degree	2
Mechanical coding	yes
Lockable	self-locking (unlocking by hand)
Color of coding/ contact carrier	black
Marking of poles	1+, 2-
Color of housing inclusive strain relief	black

### Model

Nominal cross section conductor	0.5 mm <sup>2</sup>
Degree of protection (IP)	IP20
Wire strip length	9 mm
sheath strip length	21 mm
Preparation of conductor ends	stripped
Cable type	FB-2Y(ST)Y 2x2x0,8
Cable color	Grey
Cable diameter max.	6.1 mm
Version of cable	male - free end
Type of cord set	connection cable
Version cable end 1	free end
Version cable end 2	male

### Material

Surface finish	Gilt
halogen free	No
Continuous temperature of cable	70 °C
Insulation components continuous temperature	100 °C
Fire load	0.198 kWh
Fire class	Eca

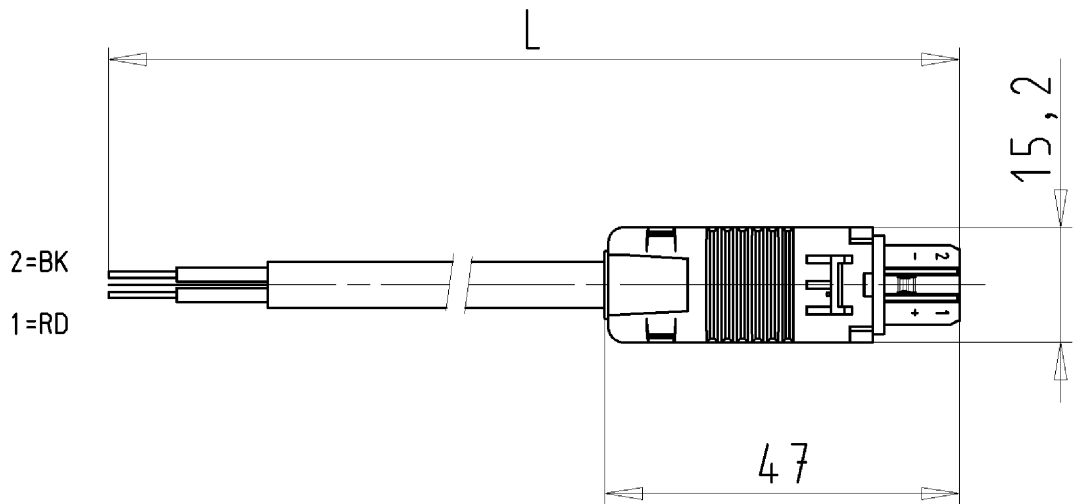
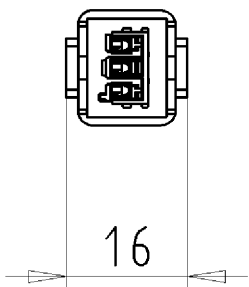
Total length	1 m
--------------	-----

**Classification**

ECLASS 11	
ECLASS 8.1	27440604
ETIM 7.0	EC002587
ETIM 6.0	EC002587
ETIM 5.0	EC002587
ETIM 4.0	EC002587

**Product compliance**

ROHS conformity status	Compliant
REACH-SVHC conformity status	Compliant



KONFEKT. LEITUNG  
 94.435.0204.1 10W  
 09.04.08 Heil D.  
 M1:1

Index "a" 17.06.2009 LUS

Weitergabe sowie Vervielfältigung dieses Dokuments, Verwertung und Mitteilung seines Inhalts sind verboten, soweit nicht ausdrücklich gestattet. The reproduction, distribution and utilization of this document as well as the communication of its contents to others without express authorization is prohibited.