

| REVISION RECORD | | | | |
|-----------------|-----|-------------|------|------|
| REV | ECN | DESCRIPTION | DRFT | DATE |

General information:

- 1.Dimension shall be interpreted per ASME Y14.5-2009
- 2.Tightening torque : /
- 3.Operating temperature: -40°C~+125°C
- 4.Rated current:16A
- 5.Rated voltage: 500V
- 6.Rated surge voltage : 6KV
- 7.Conductor cross section : 0.14-4mm²/AWG 26-12
- 8.Grounding footline diameter: 0.5-2.5mm²/AWG 20-14
- 9.Tightening torque grounding foot:1.2N.m
- 10.Assembly tightening moment: 0.6N.m
- 11.Printing coincidence IEC61984
- 12.RoHS2.0 Compliance
- 13.Undimensioned Tolerances:

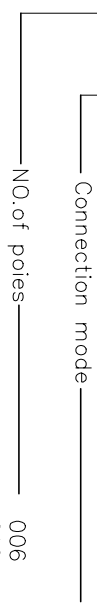
| Pitch Range | In | | mm | | mm |
|-------------|-------|-------|-------|-------|--------|
| | Over | To | Over | To | |
| 6 | 10 | 10 | 30 | 60 | 0.1/10 |
| 10 | 10 | 24 | 30 | 100 | ≤ |
| ±0.15 | ±0.20 | ±0.30 | ±0.50 | ±0.70 | ±1.30 |

Material:

| | | |
|---------------|--------------|---------------|
| Insulator | PC | UL94,V0 |
| Pin insertion | COPPER ALLOY | SILVER,PLATED |
| Screw | Carbon steel | ZINC,PLATED |

HOW TO ORDER:

SME-006-MC

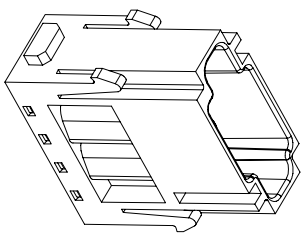
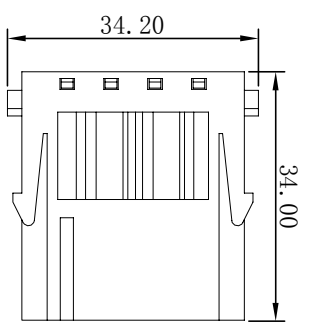
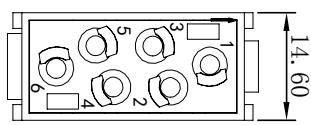


- A: Compact structure
- E: Standard structure
- EE: Widen standard structure
- D: High Density structure
- DD: Widen High Density structure
- K: Composite structure
- SB: Large current
- Q: Micro drive
- M: Module combination

- M: Male Screw terminal
- F: Female Screw terminal
- MS: Male spring terminal
- FS: Female spring terminal
- MC: Male crimp terminal
- FC: Female crimp terminal



LOGO



| DETACHED LISTS | | | |
|--|------|--|-----|
| THIS DRAWING IS A CONTROLLED DOCUMENT. | | NAME: NINGBO SUPU ELECTRONICS CO., LTD. | |
| AP/VD: | | DWM: TIANCHIO4/25/19 | |
| CHK: | | DRAWING NO.: SP739129009 | |
| THIRD ANGLE PROJECTION | | CUSTOMER COPY | |
| | | Spuu reserves the right of product modification and engineering change | |
| | | DO NOT SCALE DRAWING | |
| REV | TO-1 | SHEET | 1/1 |
| SCALE | 1:1 | | |