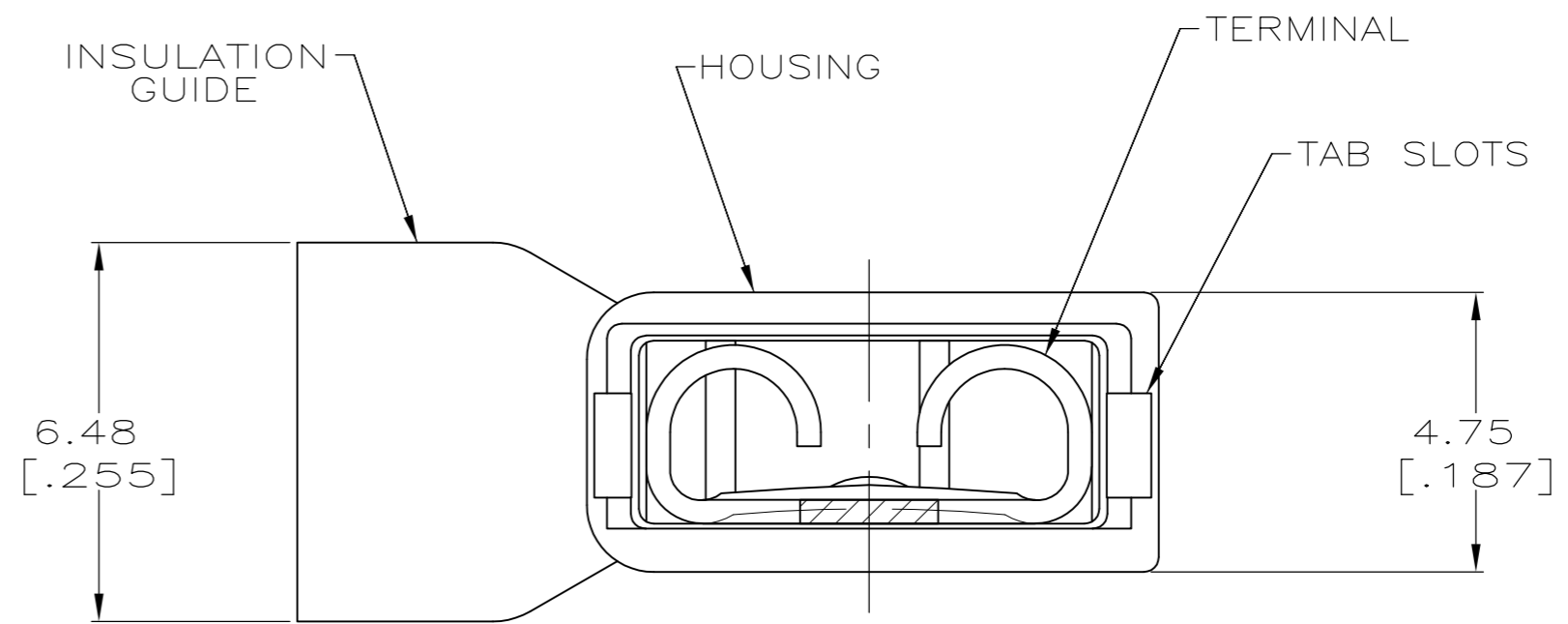
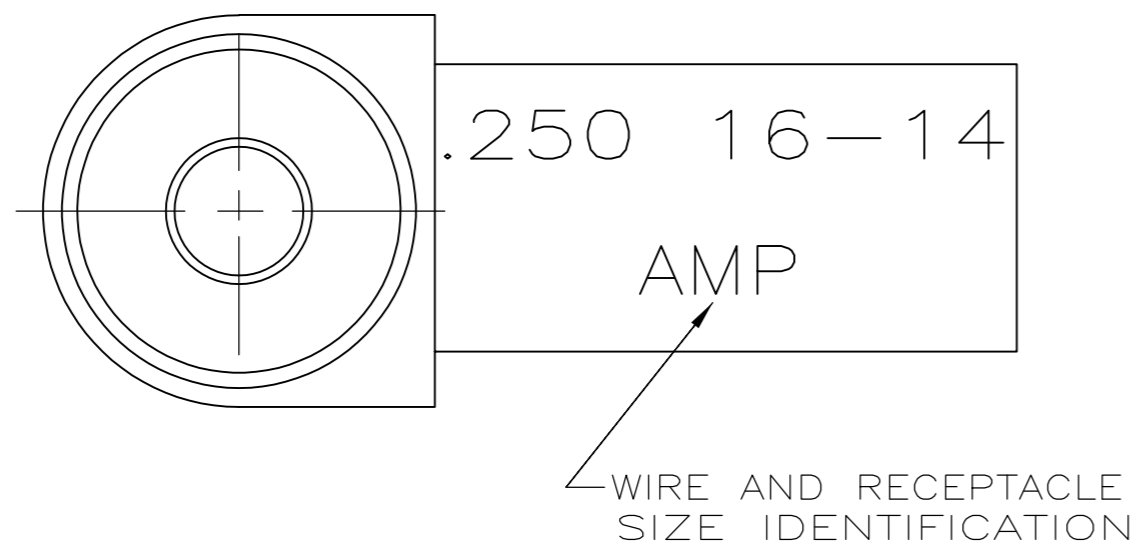
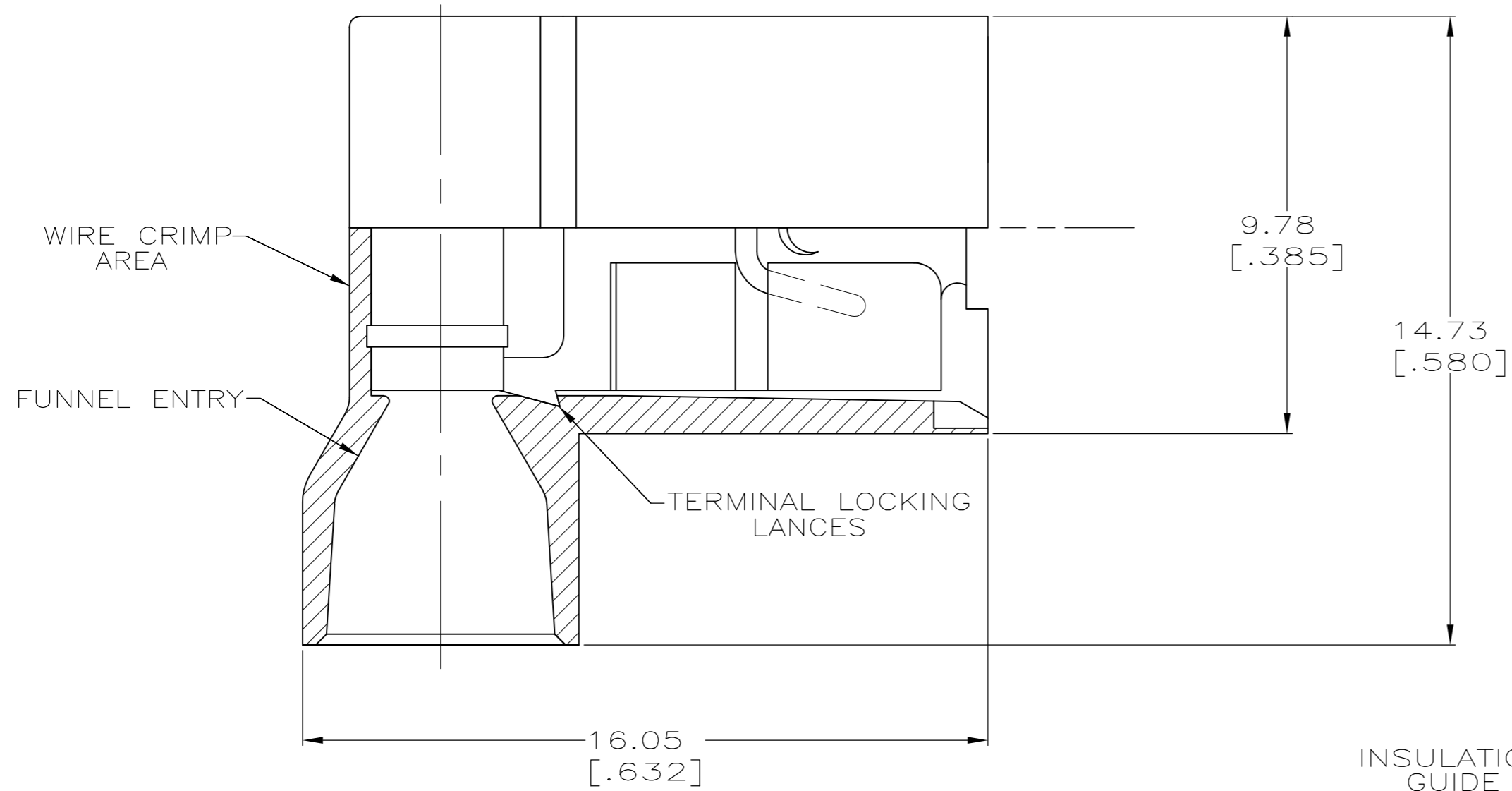


THIS DRAWING IS UNPUBLISHED. RELEASED FOR PUBLICATION
 © COPYRIGHT - By - ALL RIGHTS RESERVED.

LOC		DIST		REVISIONS			
P	LTR	DESCRIPTION	DATE	DWN	APVD		
AF	50	R	REVISED PER ECR-13-004343	30JUL13	KH	KR	

- 1 FITS 0.81±0.025 X 6.35 [.032±.001 X .250] TAB
- 2 WIRE SIZE: 1.3-2.0mm² [16-14 AWG], STRANDED ONLY.
STRIP LENGTH 7.94 [.312]
- 3 INSULATION SIZE: 4.70 [.185] MAX DIA.
- 4 SUPPLIED AS LOOSE PIECE.



TYPE 6/6 NYLON	BLUE TRANSLUCENT	BRASS	TIN	3-520133-2
MATERIAL	COLOR	MATERIAL	FINISH	PART NO
HOUSING		TERMINAL		
THIS DRAWING IS A CONTROLLED DOCUMENT.		DWN P FORTNEY 11/13/89	 RECEPTACLE ASSEMBLY, ULTRA-FAST FLAG, 6.35 [.250] SERIES, LOOSE PIECE	
DIMENSIONS: mm [INCHES]		CHK JR RUTH 11/13/89		
TOLERANCES UNLESS OTHERWISE SPECIFIED:		APVD DJ BRATINA 11/13/89		
0 PLC ± - 1 PLC ± - 2 PLC ± - 3 PLC ± 0.38 [.015] 4 PLC ± - ANGLES ± -		PRODUCT SPEC 108-2043		
MATERIAL SEE TABLE	FINISH SEE TABLE	APPLICATION SPEC 114-2123	SIZE A2	CAGE CODE 00779
		WEIGHT -	DRAWING NO C=520133	RESTRICTED TO -
CUSTOMER DRAWING			SCALE 10:1	SHEET 1 OF 1
			REV R	