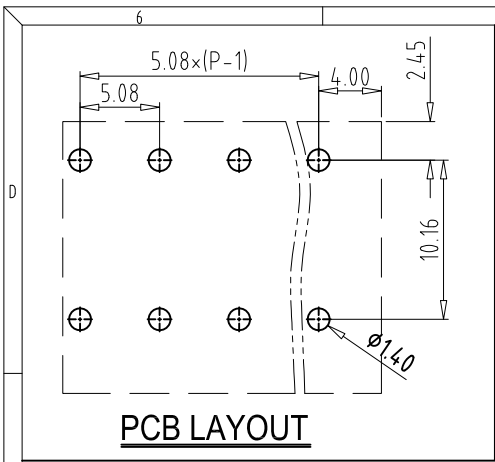


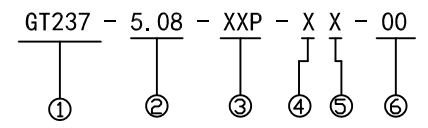
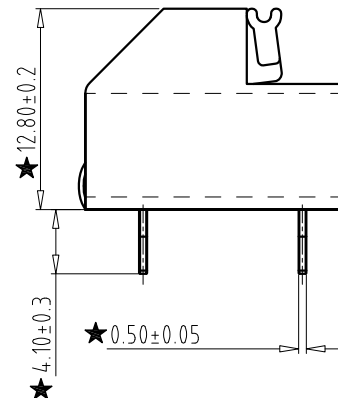
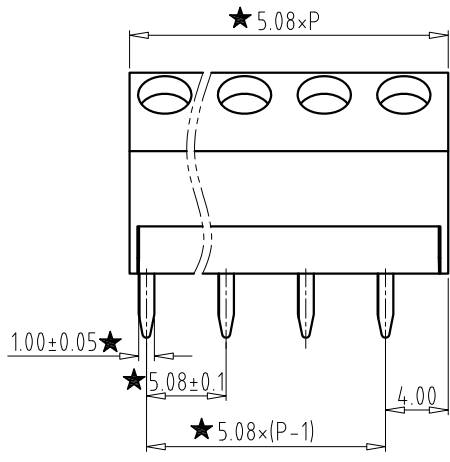
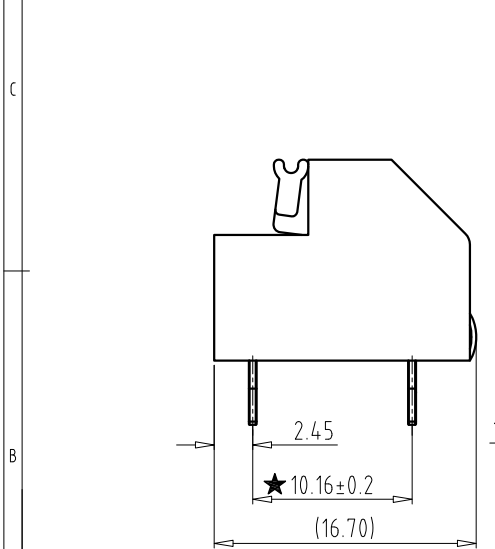
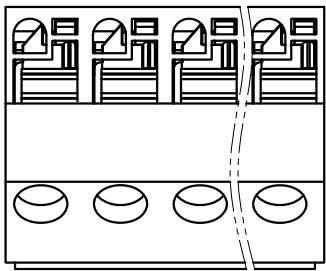
REV	CONTENT	CHK	DATE
V0.0	CONTENT	MYZ	21.07.05

**Electrical :**

- |   |               |                        |
|---|---------------|------------------------|
|   | UL            | IEC                    |
| 1. Rated Voltage :                      | 300V          | 320V                   |
| 2. Rated Current :                      | 10A           | 10A                    |
| 3. Wire Range:                          | 22-16AWG      | 0.2-1.5mm <sup>2</sup> |
| 4. Stripping Length :                   | 11mm          |                        |
| 5. Withstanding Voltage :               | AC2500V/1Min. |                        |
| 6. Operating Temperature :              | -40°C~+105°C  |                        |
| 7. RoHS Compliance                      |               |                        |
| 8. Safty Approval :                     | cULus CE      |                        |
| 9. "★" is the key quality control point |               |                        |



**PCB LAYOUT**



- ① Series NO.    ④ 1 Single Pitch  
                        2 Double Pitch
- ② Pitch                    ⑤ Color: 1 Grey  
                                    2 Blue  
                                    3 Black  
                                    4 Green  
③ Poles                    5 Orange  
                                    6 Red  
                                    7 Transparent  
                                    8 Yellow  
                                    9 White
- ⑥ Customer Request: 00-Standard

4	PIN HEADER	XX	P	COPPER ALLOY	Tin Plated
3	SPRING	XX	P	STAINLESS STEEL	/
2	BUTTON	XX	P	PA66 UL94V-0	SEE NOTE
1	HOUSING	XX	1	PA66 UL94V-0	SEE NOTE
ITEM	NAME OF PART	NO. OF PART	Q'TY	MATERIAL	NOTE
DWG.	MYZ	DATE	21.07.05	SIZE	A4 UNITS mm SHEET/OF 1/1
CHK.		DATE		SCALE	1:1
APP.		DATE		NAME	GT237-5.08-XXP-XX-00
				DWGNO.	XXXX
宁波冠泰电子有限公司 NINGBO GOLDEN ELECTRONICS CO., LTD.					

Total Pitch Tolerances in mm										Nominal dimension range in mm											⊥		≡		-		//	
over 0	over 30	over 53	over 70	over 90	over 115	over 150	over 250	over 350	over 500	over 0	over 30	over 53	over 70	over 90	over 115	over 150	over 200	over 250	over 320	to 0	to 10	all	to 0	to 100	to 0	to 150		
±0.18	±0.20	±0.25	±0.3	±0.35	±0.44	±0.60	±0.70	±0.85	±0.20	±0.25	±0.30	±0.35	±0.44	±0.55	±0.70	±0.80	±0.90	0.2	0.3	0.3	0.2	0.3	0.5					