

## SSC9527S Controller

NEW Products

Package  
SOP18



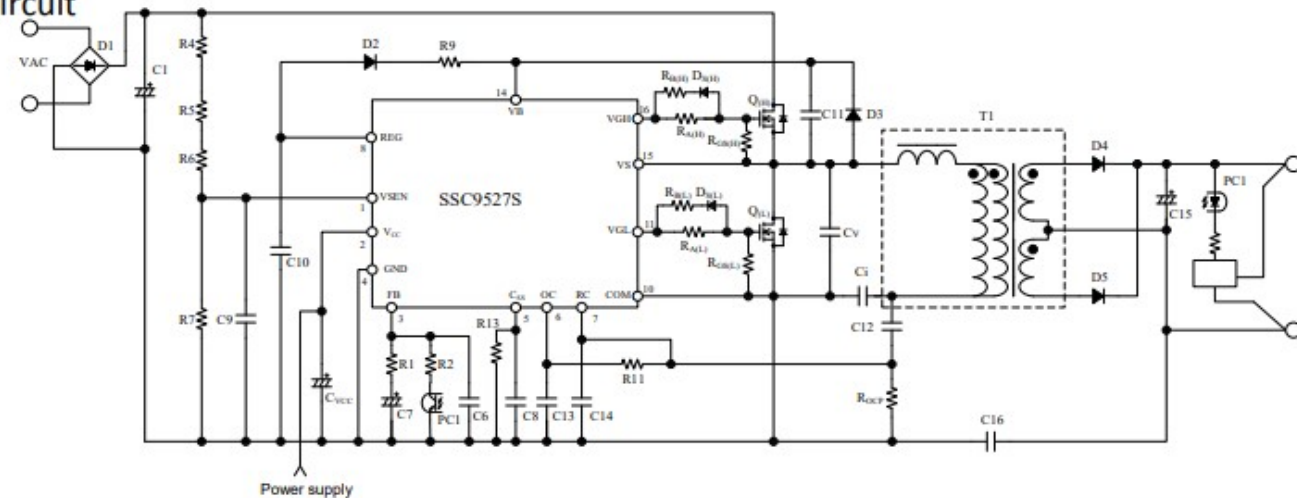
- Brown-in/out Function
- Fixed dead-time 0.3μs(TYP)
- Adjustable minimum frequency
- Reset Detect Function
- Soft start maximum frequency,  $F_{(MAX)SS} = 520\text{kHz}$
- Uncontrollable Operation Detection Function
- Protection Functions(OCP/OVP/OLP/TSD)

Part Number	V <sub>S</sub> pin voltage	V <sub>CC</sub> input voltage	F(MAX)	Protective Function			
				OCP	OVP	OLP	TSD
SSC9527S	600V	35V(Max)	300kHz	Pulse by pulse	Latched	Latched	Latched

Pin Assignment

Pin No.	Symbol	Pin No.	Symbol
1	VSEN	10	COM
2	V <sub>CC</sub>	11	VGL
3	FB	12	(NC)
4	GND	13	(NC)
5	C <sub>SS</sub>	14	VB
6	OC	15	VS
7	RC	16	VGH
8	Reg	17	(NC)
9	(NC)	18	(NC)

Circuit



### Features

- ◆ Built-in floating drive circuit for High-side MOSFET
- ◆ Built-in Soft Start Function
- ◆ Uncontrollable Operation Detection Function on pulse-by-pulse basis
- ◆ Fixed dead-time 0.3μs(TYP)
- ◆ Adjustable minimum frequency

- ◆ Built-in Brown-In/Brown-Out Function
- ◆ Reset detect function
- ◆ Protection Functions
  - OCP : Three steps protection corresponding to over current levels
  - OLP/OVP/TSD : Latch shutdown