

Audio and video Accessories

MONO Plug / Stereo Plug Series

KLS1-PLG-001 (MONO Plug)



ORDER INFORMATION

Product NO. : KLS1-PLG-001

Pos. NO. _____
Part NO. _____

KLS's Part No.	Description
KLS1-PLG-001-2.5-N-B	2.5MM MONO plug / Nickel-plated / Black color
KLS1-PLG-001-2.5-G-R	2.5MM MONO plug / Gold-plated / Red color
KLS1-PLG-001-3.5-N-B	3.5MM MONO plug / Nickel-plated / Black color
KLS1-PLG-001-3.5-G-R	3.5MM MONO plug / Gold-plated / Red color
KLS1-PLG-001-6.3-N-B	6.3MM MONO plug / Nickel-plated / Black color
KLS1-PLG-001-6.3-G-R	6.3MM MONO plug / Gold-plated / Red color

Remark: Optional gold-plated nickel And Color Optional



MONO Plug / Stereo Plug Series

KLS1-PLG-002 (MONO Plug)



ORDER INFORMATION

Product NO. : KLS1-PLG-002

Pos. NO.
Part NO.

KLS's Part No.	Description
KLS1-PLG-002-2.5-N	2.5MM MONO plug / Nickel-plated
KLS1-PLG-002-2.5-G	2.5MM MONO plug / Gold-plated
KLS1-PLG-002-3.5-N	3.5MM MONO plug / Nickel-plated
KLS1-PLG-002-3.5-G	3.5MM MONO plug / Gold-plated
KLS1-PLG-002-6.3-N	6.3MM MONO plug / Nickel-plated
KLS1-PLG-002-6.3-G	6.3MM MONO plug / Gold-plated

Remark: Optional gold-plated nickel

MONO Plug / Stereo Plug Series

KLS1-PLG-004 (MONO Plug)



ORDER INFORMATION

Product NO. : KLS1-PLG-004

Pos. NO. _____
Part NO. _____

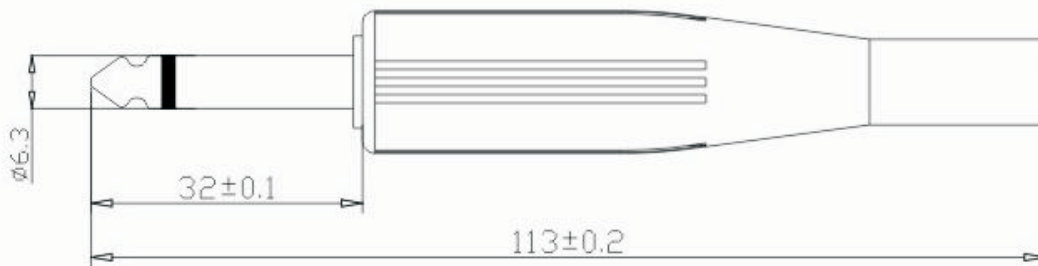
KLS's Part No.	Description
KLS1-PLG-004-2.5-N-B	2.5MM MONO plug / Nickel-plated / Black color
KLS1-PLG-004-2.5-G-R	2.5MM MONO plug / Gold-plated / Red color
KLS1-PLG-004-3.5-N-B	3.5MM MONO plug / Nickel-plated / Black color
KLS1-PLG-004-3.5-G-R	3.5MM MONO plug / Gold-plated / Red color
KLS1-PLG-004-6.3-N-B	6.3MM MONO plug / Nickel-plated / Black color
KLS1-PLG-004-6.3-G-R	6.3MM MONO plug / Gold-plated / Red color

Remark: Optional gold-plated nickel And Color Optional



MONO Plug / Stereo Plug Series

KLS1-PLG-005 (MONO Plug)



ORDER INFORMATION

Product NO. : KLS1-PLG-005

Pos. NO. Part NO.

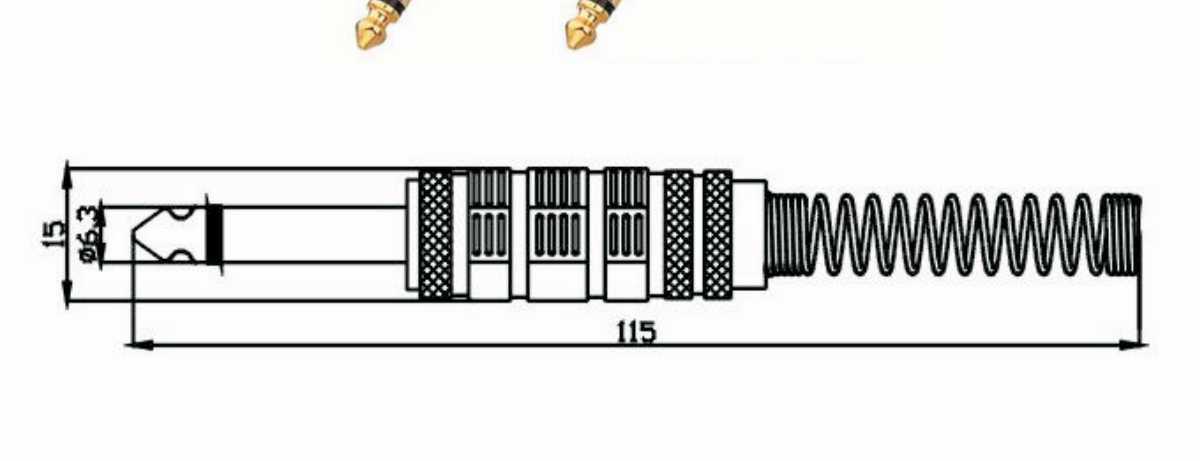
KLS's Part No.	Description
KLS1-PLG-005-6.3-N-B	6.3mm Mono Plug / Nickel-plated / Black color
KLS1-PLG-005-6.3-N-L	6.3mm Mono Plug / Nickel-plated / Blue color
KLS1-PLG-005-6.3-N-R	6.3mm Mono Plug / Nickel-plated / Red color
KLS1-PLG-005-6.3-G-B	6.3mm Mono Plug / Gold-plated / Black color
KLS1-PLG-005-6.3-G-L	6.3mm Mono Plug / Gold-plated / Blue color
KLS1-PLG-005-6.3-G-R	6.3mm Mono Plug / Gold-plated / Red color

Remark: Optional gold-plated nickel And Color Optional



MONO Plug / Stereo Plug Series

KLS1-PLG-006 (MONO Plug)



ORDER INFORMATION

Product NO. : KLS1-PLG-006

Pos. NO. _____
Part NO. _____

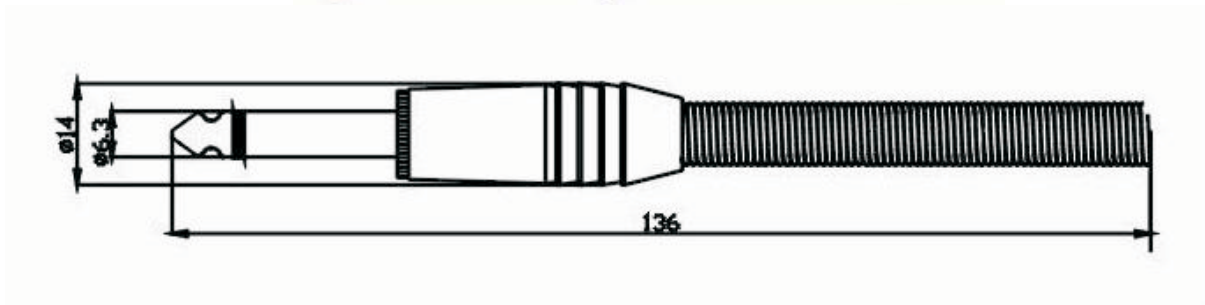
KLS's Part No.	Description
KLS1-PLG-006-6.3-N-B	6.3mm Mono Plug / Nickel-plated / Black color
KLS1-PLG-006-6.3-N-L	6.3mm Mono Plug / Nickel-plated / Blue color
KLS1-PLG-006-6.3-N-R	6.3mm Mono Plug / Nickel-plated / Red color
KLS1-PLG-006-6.3-G-B	6.3mm Mono Plug / Gold-plated / Black color
KLS1-PLG-006-6.3-G-L	6.3mm Mono Plug / Gold-plated / Blue color
KLS1-PLG-006-6.3-G-R	6.3mm Mono Plug / Gold-plated / Red color

Remark: Optional gold-plated nickel And Color Optional



MONO Plug / Stereo Plug Series

KLS1-PLG-007 (MONO Plug)



ORDER INFORMATION

Product NO. : KLS1-PLG-007

Pos. NO.
Part NO.

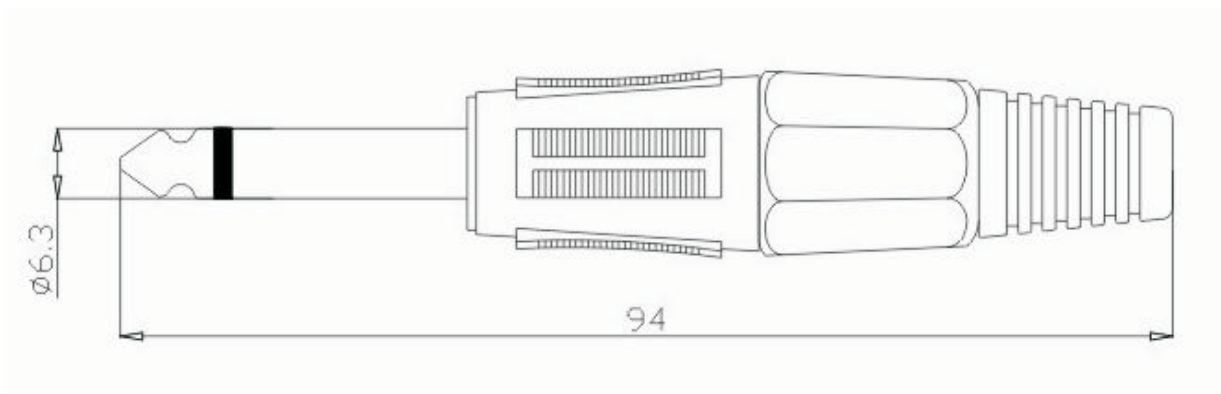
KLS's Part No.	Description
KLS1-PLG-007-6.3-N	6.3mm Mono Plug / Nickel-plated
KLS1-PLG-007-6.3-N	6.3mm Mono Plug / Nickel-plated
KLS1-PLG-007-6.3-N	6.3mm Mono Plug / Nickel-plated
KLS1-PLG-007-6.3-G	6.3mm Mono Plug / Gold-plated
KLS1-PLG-007-6.3-G	6.3mm Mono Plug / Gold-plated
KLS1-PLG-007-6.3-G	6.3mm Mono Plug / Gold-plated

Remark: Optional gold-plated nickel



MONO Plug / Stereo Plug Series

KLS1-PLG-008 (MONO Plug)



ORDER INFORMATION

Product NO. : KLS1-PLG-008

Pos. NO. _____
Part NO. _____

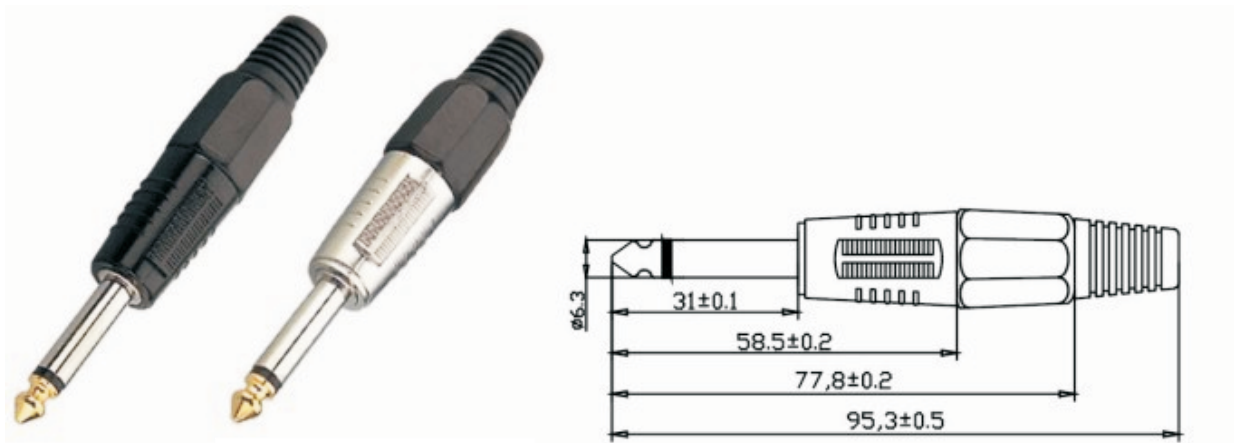
KLS's Part No.	Description
KLS1-PLG-008-6.3A-N-B	6.3mm Mono Plug / Nickel-plated / Black color
KLS1-PLG-008-6.3A-N-L	6.3mm Mono Plug / Nickel-plated / Blue color
KLS1-PLG-008-6.3A-N-R	6.3mm Mono Plug / Nickel-plated / Red color
KLS1-PLG-008-6.3A-G-B	6.3mm Mono Plug / Gold-plated / Black color
KLS1-PLG-008-6.3A-G-L	6.3mm Mono Plug / Gold-plated / Blue color
KLS1-PLG-008-6.3A-G-R	6.3mm Mono Plug / Gold-plated / Red color

Remark: Optional gold-plated nickel And Color Optional

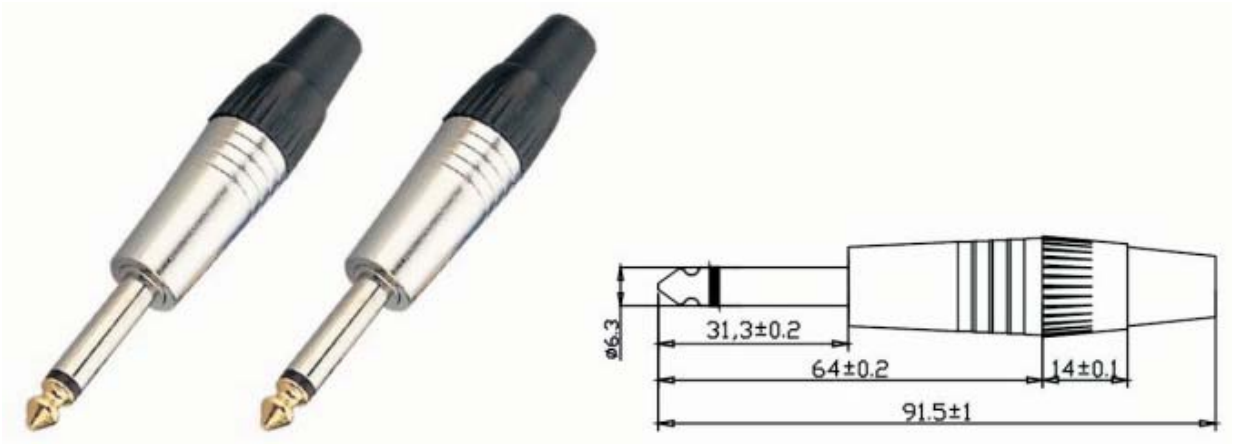


MONO Plug / Stereo Plug Series

KLS1-PLG-008-6.3B TYPE:



KLS1-PLG-008-6.3C TYPE:



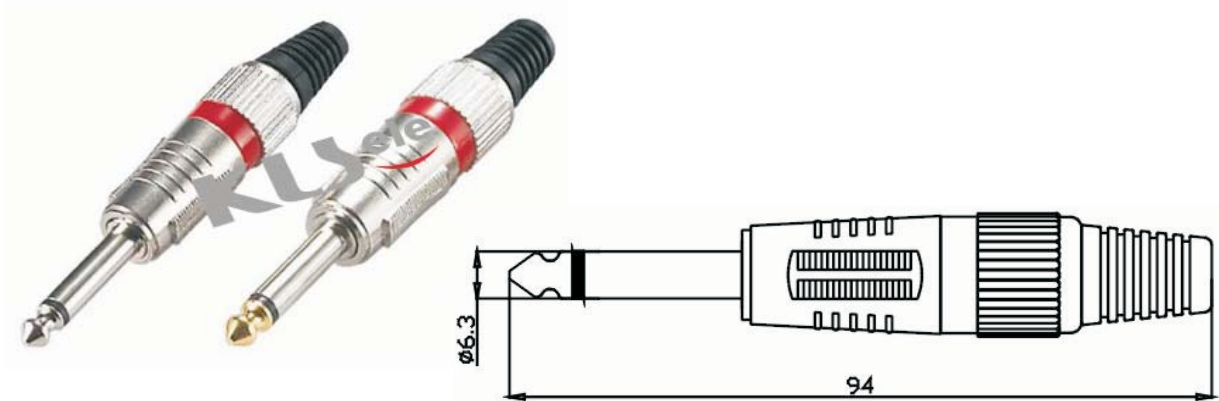
KLS1-PLG-008-6.3D TYPE:



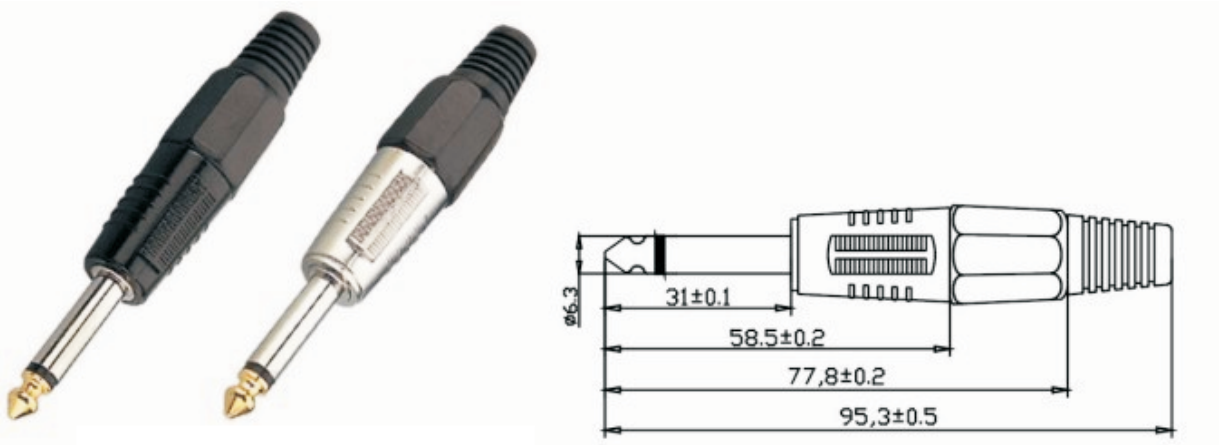


MONO Plug / Stereo Plug Series

KLS1-PLG-009 (MONO Plug)



KLS1-PLG-009-6.3B TYPE:



ORDER INFORMATION

Product NO. : KLS1-PLG-009

Pos. NO.
Part NO.

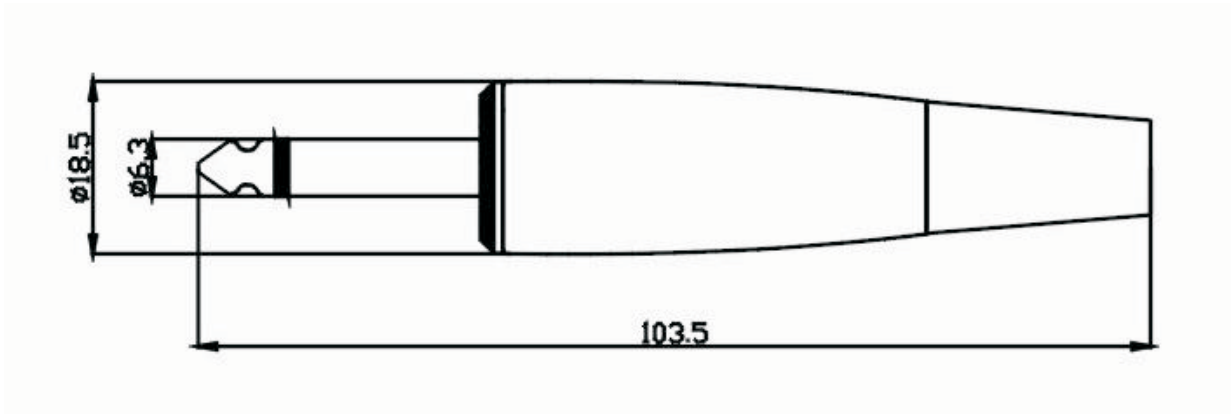
KLS's Part No.	Description
KLS1-PLG-009-6.3A-N-B	6.3mm Mono Plug / Nickel-plated / Black color
KLS1-PLG-009-6.3A-N-L	6.3mm Mono Plug / Nickel-plated / Blue color
KLS1-PLG-009-6.3A-N-R	6.3mm Mono Plug / Nickel-plated / Red color
KLS1-PLG-009-6.3A-G-B	6.3mm Mono Plug / Gold-plated / Black color
KLS1-PLG-009-6.3A-G-L	6.3mm Mono Plug / Gold-plated / Blue color
KLS1-PLG-009-6.3A-G-R	6.3mm Mono Plug / Gold-plated / Red color

Remark: Optional gold-plated nickel And Color Optional



MONO Plug / Stereo Plug Series

KLS1-PLG-010 (MONO Plug)



ORDER INFORMATION

Product NO. : KLS1-PLG-010

Pos. NO.
Part NO.

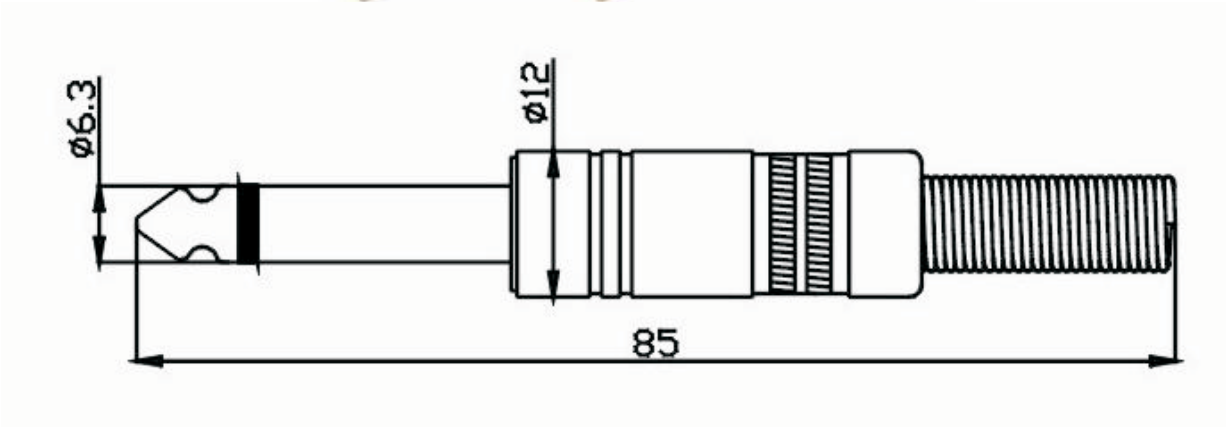
KLS's Part No.	Description
KLS1-PLG-010-6.3-N	6.3mm Mono Plug / Nickel-plated
KLS1-PLG-010-6.3-N	6.3mm Mono Plug / Nickel-plated
KLS1-PLG-010-6.3-N	6.3mm Mono Plug / Nickel-plated
KLS1-PLG-010-6.3-G	6.3mm Mono Plug / Gold-plated
KLS1-PLG-010-6.3-G	6.3mm Mono Plug / Gold-plated
KLS1-PLG-010-6.3-G	6.3mm Mono Plug / Gold-plated

Remark: Optional gold-plated nickel



MONO Plug / Stereo Plug Series

KLS1-PLG-011 (MONO Plug)



ORDER INFORMATION

Product NO. : KLS1-PLG-011

Pos. NO. _____
Part NO. _____

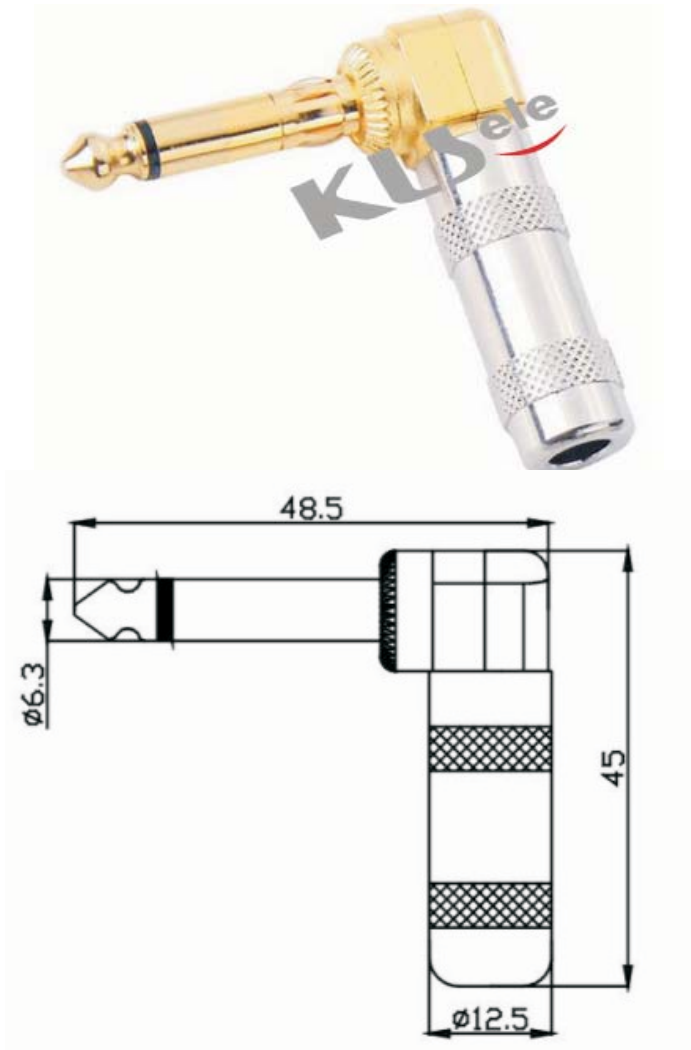
KLS's Part No.	Description
KLS1-PLG-011-2.5A-N	2.5MM MONO plug / Nickel-plated
KLS1-PLG-011-2.5A-G	2.5MM MONO plug / Gold-plated
KLS1-PLG-011-3.5A-N	3.5MM MONO plug / Nickel-plated
KLS1-PLG-011-3.5A-G	3.5MM MONO plug / Gold-plated
KLS1-PLG-011-6.3A-N	6.3MM MONO plug / Nickel-plated
KLS1-PLG-011-6.3A-G	6.3MM MONO plug / Gold-plated

Remark: Optional gold-plated nickel



MONO Plug / Stereo Plug Series

KLS1-PLR-01 (MONO Plug)



ORDER INFORMATION

Product NO. : KLS1-PLR-01

Pos. NO.
Part NO.

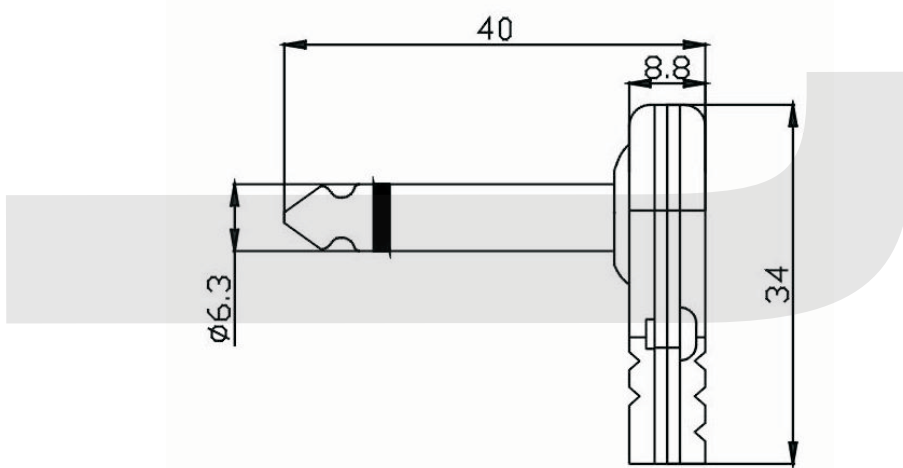
KLS's Part No.	Description
KLS1-PLR-01-6.3-N	6.3mm MONO plug / Nickel-plated
KLS1-PLR-01-6.3-G	6.3mm MONO plug / Gold-plated

Remark: Optional gold-plated nickel



MONO Plug / Stereo Plug Series

KLS1-PLR-02 (MONO Plug)



ORDER INFORMATION

Product NO. : KLS1-PLR-02

Pos. NO. _____
Part NO. _____

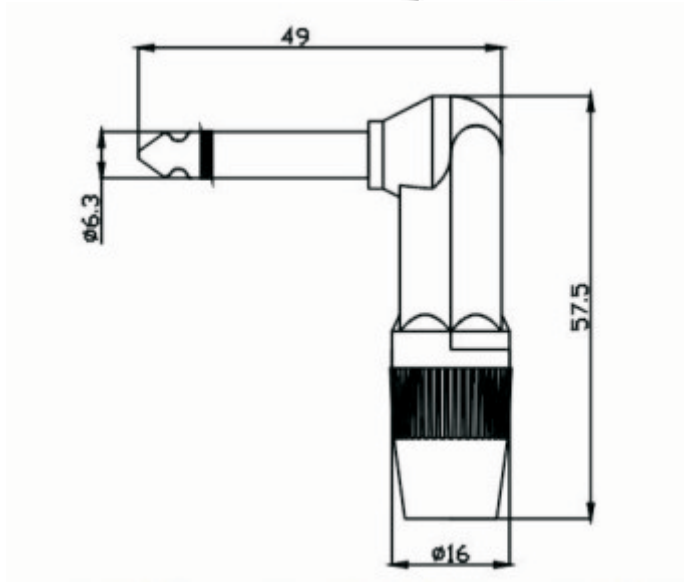
KLS's Part No.	Description
KLS1-PLR-02-6.3-N	6.3mm MONO plug / Nickel-plated
KLS1-PLR-02-6.3-G	6.3mm MONO plug / Gold-plated

Remark: Optional gold-plated nickel



MONO Plug / Stereo Plug Series

KLS1-PLR-03 (MONO Plug)



ORDER INFORMATION

Product NO. : KLS1-PLR-03

Pos. NO. _____
Part NO. _____

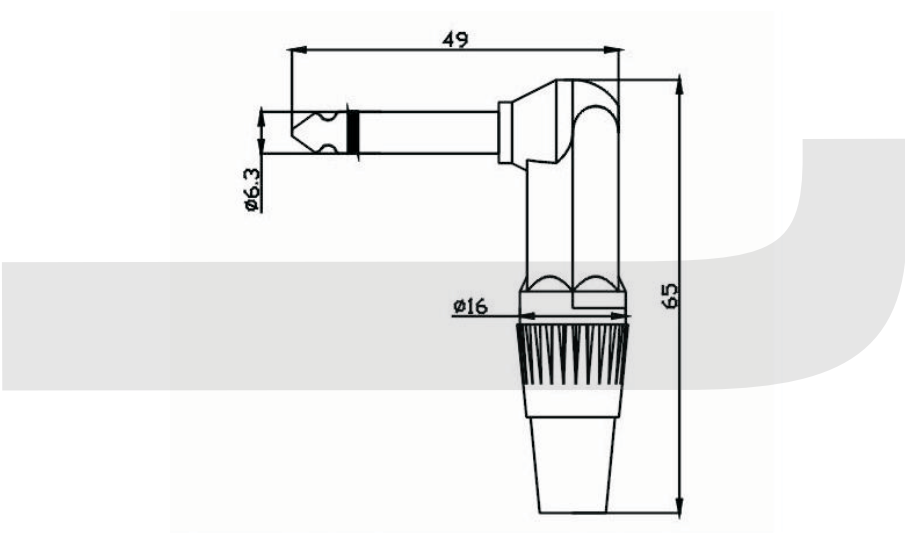
KLS's Part No.	Description
KLS1-PLR-03-6.3-N-B	6.3mm MONO plug / Nickel-plated / Black color
KLS1-PLR-03-6.3-G-L	6.3mm MONO plug / Gold-plated / Blue color

Remark: Optional gold-plated nickel And Color Optional



MONO Plug / Stereo Plug Series

KLS1-PLR-04 (MONO Plug)



ORDER INFORMATION

Product NO. : KLS1-PLR-04

Pos. NO. _____
Part NO. _____

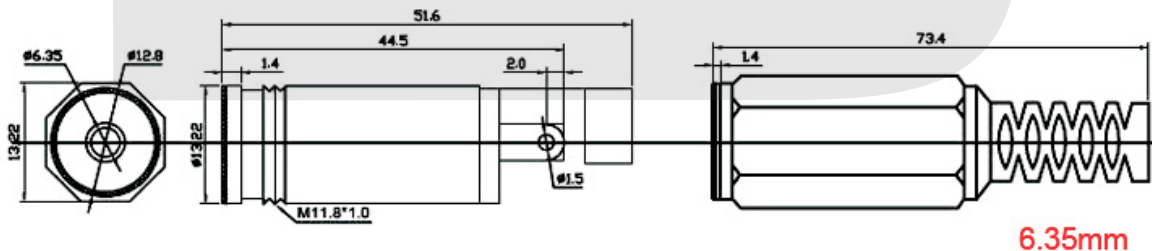
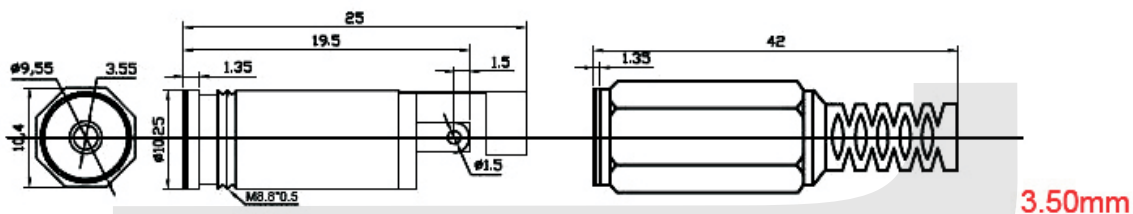
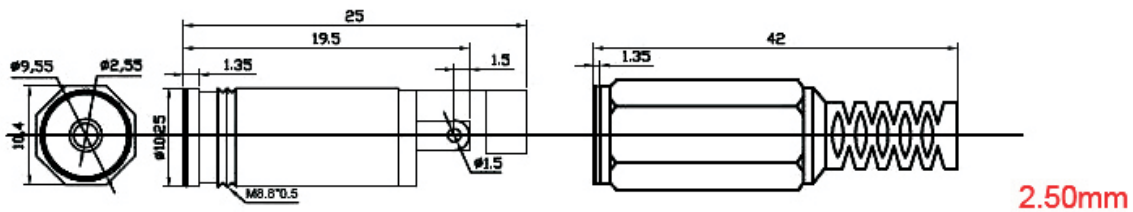
KLS's Part No.	Description
KLS1-PLR-04-6.3-N-B	6.3mm MONO plug / Nickel-plated / Black color
KLS1-PLR-04-6.3-G-L	6.3mm MONO plug / Gold-plated / Blue color

Remark: Optional gold-plated nickel And Color Optional



MONO Plug / Stereo Plug Series

KLS1-PLS-001 (MONO Plug)



ORDER INFORMATION

Product NO. : KLS1-PLS-001

Pos. NO. _____
Part NO. _____

KLS's Part No.	Description
KLS1-PLS-001-2.5-P-B	2.5MM MONO plug socket / Plastic / Black color
KLS1-PLS-001-2.5-M-N	2.5MM MONO plug socket / Metal / Nickel-plated
KLS1-PLS-001-3.5-P-B	3.5MM MONO plug socket / Plastic / Black color
KLS1-PLS-001-3.5-M-N	3.5MM MONO plug socket / Metal / Nickel-plated
KLS1-PLS-001-6.3-P-B	6.3MM MONO plug socket / Plastic / Black color
KLS1-PLS-001-6.3-M-N	6.3MM MONO plug socket / Metal / Nickel-plated



MONO Plug / Stereo Plug Series

KLS1-PLG-001A (Stereo Plug)



ORDER INFORMATION

Product NO. : KLS1-PLG-001A

Pos. NO. _____
Part NO. _____

KLS's Part No.	Description
KLS1-PLG-001A-2.5-N-B	2.5MM Stereo plug / Nickel-plated / Black color
KLS1-PLG-001A-2.5-G-R	2.5MM Stereo plug / Gold-plated / Red color
KLS1-PLG-001A-3.5-N-B	3.5MM Stereo plug / Nickel-plated / Black color
KLS1-PLG-001A-3.5-G-R	3.5MM Stereo plug / Gold-plated / Red color
KLS1-PLG-001A-6.3-N-B	6.3MM Stereo plug / Nickel-plated / Black color
KLS1-PLG-001A-6.3-G-R	6.3MM Stereo plug / Gold-plated / Red color

Remark: Optional gold-plated nickel And Color Optional



MONO Plug / Stereo Plug Series

KLS1-PLG-002A (Stereo Plug)



ORDER INFORMATION

Product NO. : KLS1-PLG-002A

Pos. NO. Part NO.

KLS's Part No.	Description
KLS1-PLG-002A-2.5-N	2.5MM Stereo plug / Nickel-plated
KLS1-PLG-002A-2.5-G	2.5MM Stereo plug / Gold-plated
KLS1-PLG-002A-3.5-N	3.5MM Stereo plug / Nickel-plated
KLS1-PLG-002A-3.5-G	3.5MM Stereo plug / Gold-plated
KLS1-PLG-002A-6.3-N	6.3MM Stereo plug / Nickel-plated
KLS1-PLG-002A-6.3-G	6.3MM Stereo plug / Gold-plated

Remark: Optional gold-plated nickel

MONO Plug / Stereo Plug Series

KLS1-PLG-004A (Stereo Plug)



ORDER INFORMATION

Product NO. : KLS1-PLG-004A

Pos. NO. Part NO.

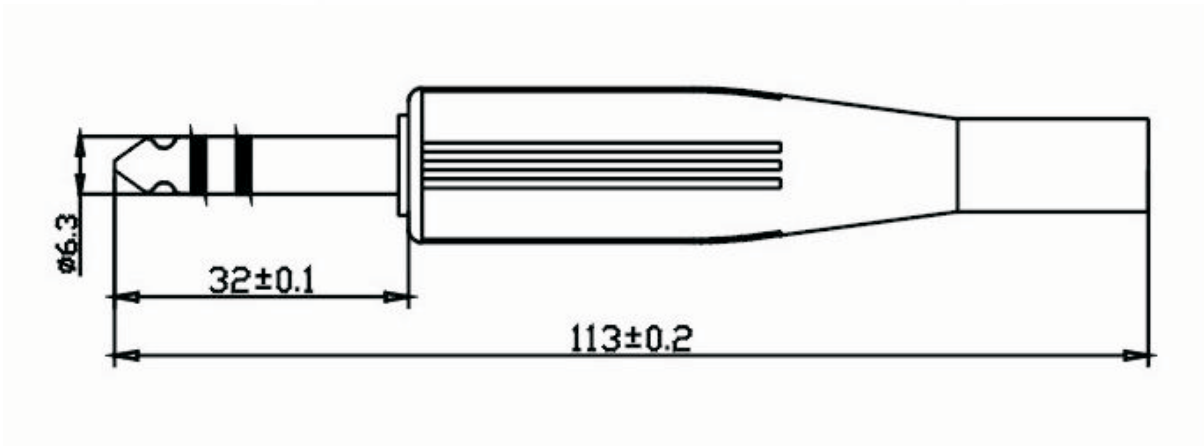
KLS's Part No.	Description
KLS1-PLG-004A-2.5-N-B	2.5MM Stereo plug / Nickel-plated / Black color
KLS1-PLG-004A-2.5-G-R	2.5MM Stereo plug / Gold-plated / Red color
KLS1-PLG-004A-3.5-N-B	3.5MM Stereo plug / Nickel-plated / Black color
KLS1-PLG-004A-3.5-G-R	3.5MM Stereo plug / Gold-plated / Red color
KLS1-PLG-004A-6.3-N-B	6.3MM Stereo plug / Nickel-plated / Black color
KLS1-PLG-004A-6.3-G-R	6.3MM Stereo plug / Gold-plated / Red color

Remark: Optional gold-plated nickel And Color Optional



MONO Plug / Stereo Plug Series

KLS1-PLG-005A (Stereo Plug)



ORDER INFORMATION

Product NO. : KLS1-PLG-005A

Pos. NO. Part NO.

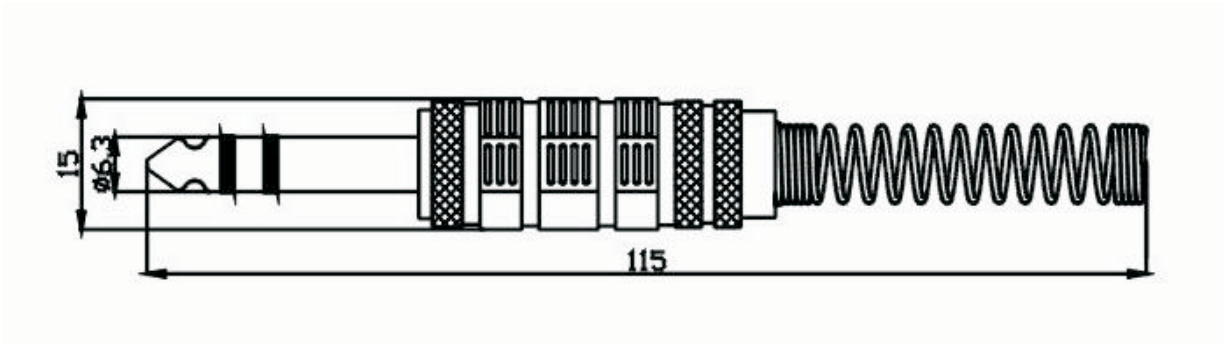
KLS's Part No.	Description
KLS1-PLG-005A-6.3-N-B	6.3mm Stereo Plug / Nickel-plated / Black color
KLS1-PLG-005A-6.3-N-L	6.3mm Stereo Plug / Nickel-plated / Blue color
KLS1-PLG-005A-6.3-N-R	6.3mm Stereo Plug / Nickel-plated / Red color
KLS1-PLG-005A-6.3-G-B	6.3mm Stereo Plug / Gold-plated / Black color
KLS1-PLG-005A-6.3-G-L	6.3mm Stereo Plug / Gold-plated / Blue color
KLS1-PLG-005A-6.3-G-R	6.3mm Stereo Plug / Gold-plated / Red color

Remark: Optional gold-plated nickel And Color Optional



MONO Plug / Stereo Plug Series

KLS1-PLG-006A (Stereo Plug)



ORDER INFORMATION

Product NO. : KLS1-PLG-006A

Pos. NO. _____
Part NO. _____

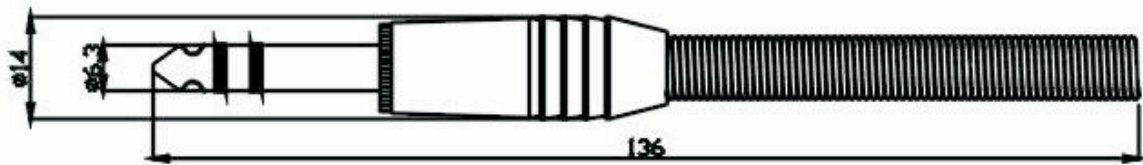
KLS's Part No.	Description
KLS1-PLG-006A-6.3-N-B	6.3mm Stereo Plug / Nickel-plated / Black color
KLS1-PLG-006A-6.3-N-L	6.3mm Stereo Plug / Nickel-plated / Blue color
KLS1-PLG-006A-6.3-N-R	6.3mm Stereo Plug / Nickel-plated / Red color
KLS1-PLG-006A-6.3-G-B	6.3mm Stereo Plug / Gold-plated / Black color
KLS1-PLG-006A-6.3-G-L	6.3mm Stereo Plug / Gold-plated / Blue color
KLS1-PLG-006A-6.3-G-R	6.3mm Stereo Plug / Gold-plated / Red color

Remark: Optional gold-plated nickel And Color Optional



MONO Plug / Stereo Plug Series

KLS1-PLG-007A (Stereo Plug)



ORDER INFORMATION

Product NO. : KLS1-PLG-007A

Pos. NO.
Part NO.

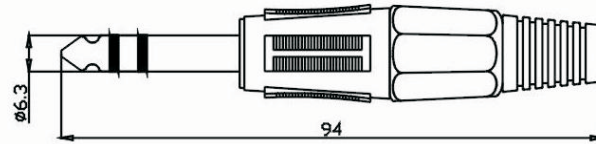
KLS's Part No.	Description
KLS1-PLG-007A-6.3-N	6.3mm Stereo Plug / Nickel-plated
KLS1-PLG-007A-6.3-N	6.3mm Stereo Plug / Nickel-plated
KLS1-PLG-007A-6.3-N	6.3mm Stereo Plug / Nickel-plated
KLS1-PLG-007A-6.3-G	6.3mm Stereo Plug / Gold-plated
KLS1-PLG-007A-6.3-G	6.3mm Stereo Plug / Gold-plated
KLS1-PLG-007A-6.3-G	6.3mm Stereo Plug / Gold-plated

Remark: Optional gold-plated nickel

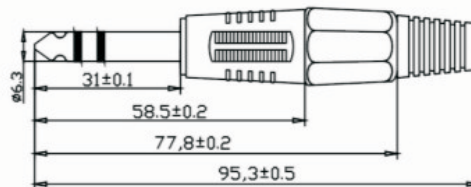


MONO Plug / Stereo Plug Series

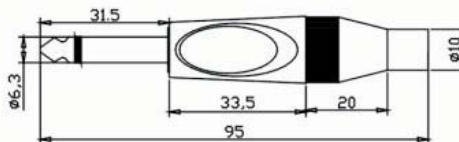
KLS1-PLG-008A (Stereo Plug)



KLS1-PLG-008A-6.3B TYPE :



KLS1-PLG-008A-6.3C TYPE:



ORDER INFORMATION

Product NO. : KLS1-PLG-008

Pos. NO.
Part NO.

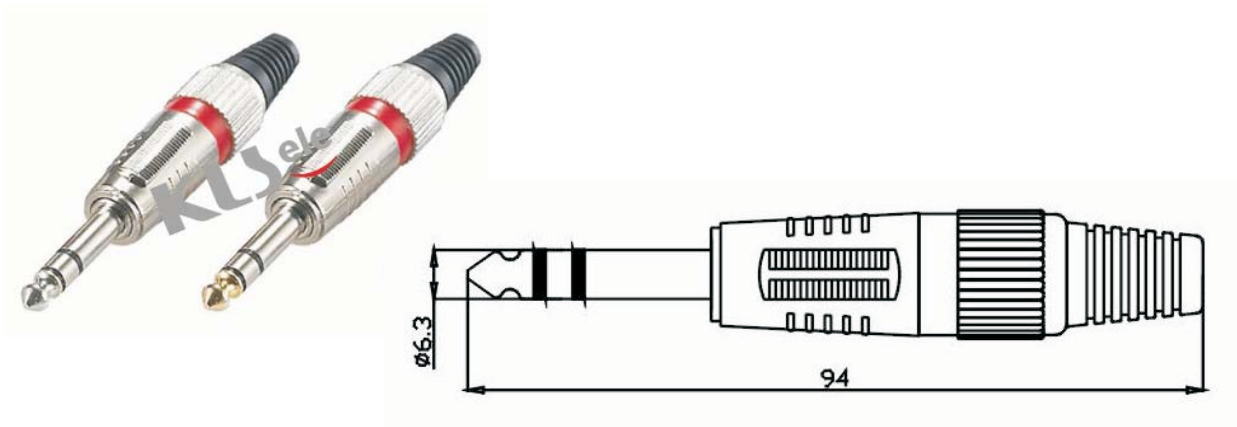
KLS's Part No.	Description
KLS1-PLG-008A-6.3A-N-B	6.3mm Stereo Plug / Nickel-plated / Black color
KLS1-PLG-008A-6.3A-N-L	6.3mm Stereo Plug / Nickel-plated / Blue color
KLS1-PLG-008A-6.3A-N-R	6.3mm Stereo Plug / Nickel-plated / Red color
KLS1-PLG-008A-6.3A-G-B	6.3mm Stereo Plug / Gold-plated / Black color
KLS1-PLG-008A-6.3A-G-L	6.3mm Stereo Plug / Gold-plated / Blue color
KLS1-PLG-008A-6.3A-G-R	6.3mm Stereo Plug / Gold-plated / Red color

Remark: Optional gold-plated nickel And Color Optional



MONO Plug / Stereo Plug Series

KLS1-PLG-009A (Stereo Plug)



KLS1-PLG-009A-6.3B TYPE:



ORDER INFORMATION

Product NO. : KLS1-PLG-009A

Pos. NO.
Part NO.

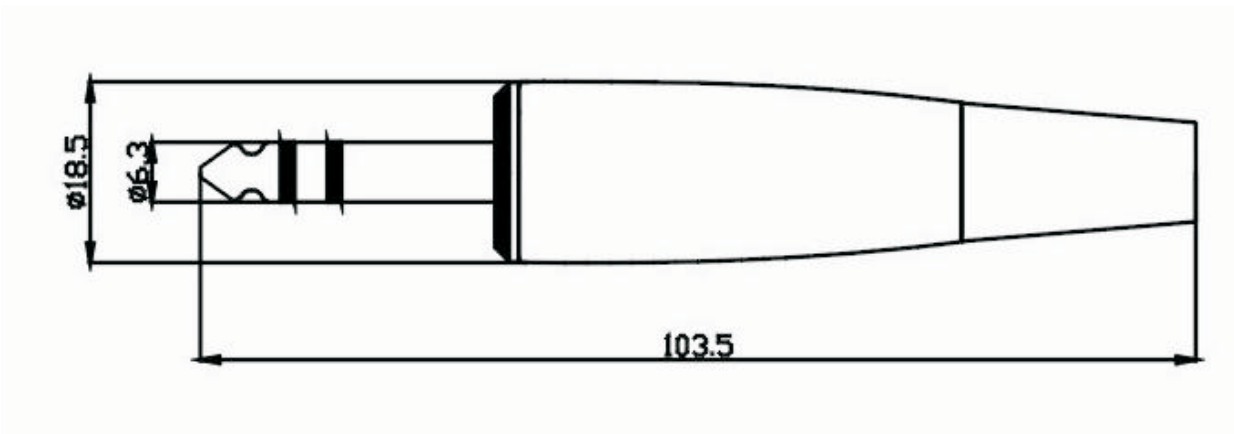
KLS's Part No.	Description
KLS1-PLG-009A-6.3A-N-B	6.3mm Stereo Plug / Nickel-plated / Black color
KLS1-PLG-009A-6.3A-N-L	6.3mm Stereo Plug / Nickel-plated / Blue color
KLS1-PLG-009A-6.3A-N-R	6.3mm Stereo Plug / Nickel-plated / Red color
KLS1-PLG-009A-6.3A-G-B	6.3mm Stereo Plug / Gold-plated / Black color
KLS1-PLG-009A-6.3A-G-L	6.3mm Stereo Plug / Gold-plated / Blue color
KLS1-PLG-009A-6.3A-G-R	6.3mm Stereo Plug / Gold-plated / Red color

Remark: Optional gold-plated nickel And Color Optional



MONO Plug / Stereo Plug Series

KLS1-PLG-010A (Stereo Plug)



ORDER INFORMATION

Product NO. : KLS1-PLG-010A

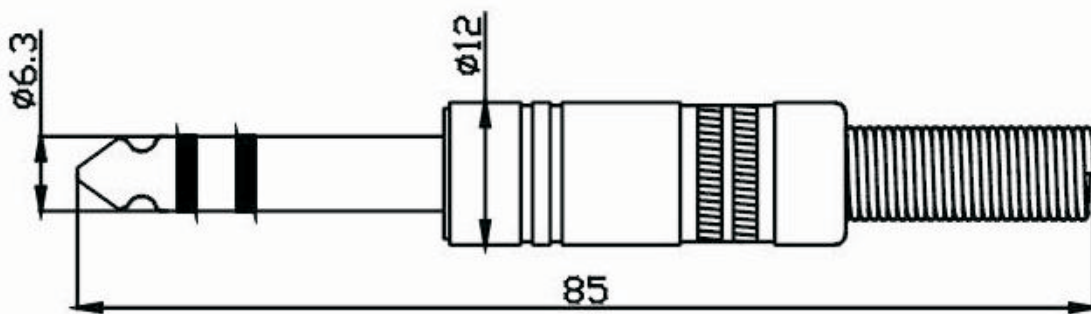
Pos. NO. Part NO.

KLS's Part No.	Description
KLS1-PLG-010A-6.3-N	6.3mm Stereo Plug / Nickel-plated
KLS1-PLG-010A-6.3-N	6.3mm Stereo Plug / Nickel-plated
KLS1-PLG-010A-6.3-N	6.3mm Stereo Plug / Nickel-plated
KLS1-PLG-010A-6.3-G	6.3mm Stereo Plug / Gold-plated
KLS1-PLG-010A-6.3-G	6.3mm Stereo Plug / Gold-plated
KLS1-PLG-010A-6.3-G	6.3mm Stereo Plug / Gold-plated

Remark: Optional gold-plated nickel

MONO Plug / Stereo Plug Series

KLS1-PLG-011A (Stereo Plug)



ORDER INFORMATION

Product NO. : KLS1-PLG-011

Pos. NO. _____
Part NO. _____

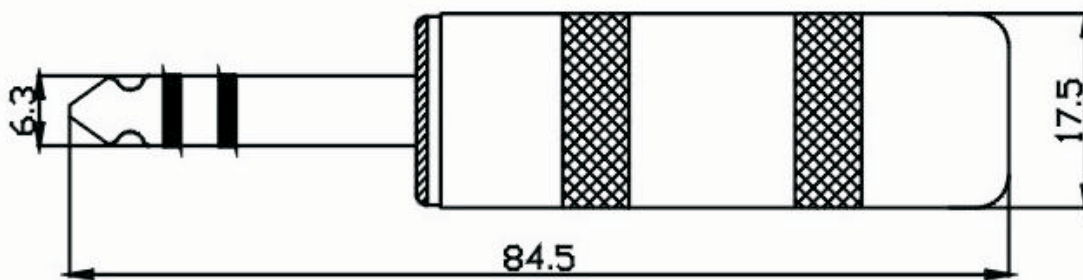
KLS's Part No.	Description
KLS1-PLG-011A-2.5A-N	2.5MM Stereo Plug / Nickel-plated
KLS1-PLG-011A-2.5A-G	2.5MM Stereo Plug / Gold-plated
KLS1-PLG-011A-3.5A-N	3.5MM Stereo Plug / Nickel-plated
KLS1-PLG-011A-3.5A-G	3.5MM Stereo Plug / Gold-plated
KLS1-PLG-011A-6.3A-N	6.3MM Stereo Plug / Nickel-plated
KLS1-PLG-011A-6.3A-G	6.3MM Stereo Plug / Gold-plated

Remark: Optional gold-plated nickel



MONO Plug / Stereo Plug Series

KLS1-PLG-012A (Stereo Plug)



ORDER INFORMATION

Product NO. : KLS1-PLG-012A

Pos. NO. Part NO.

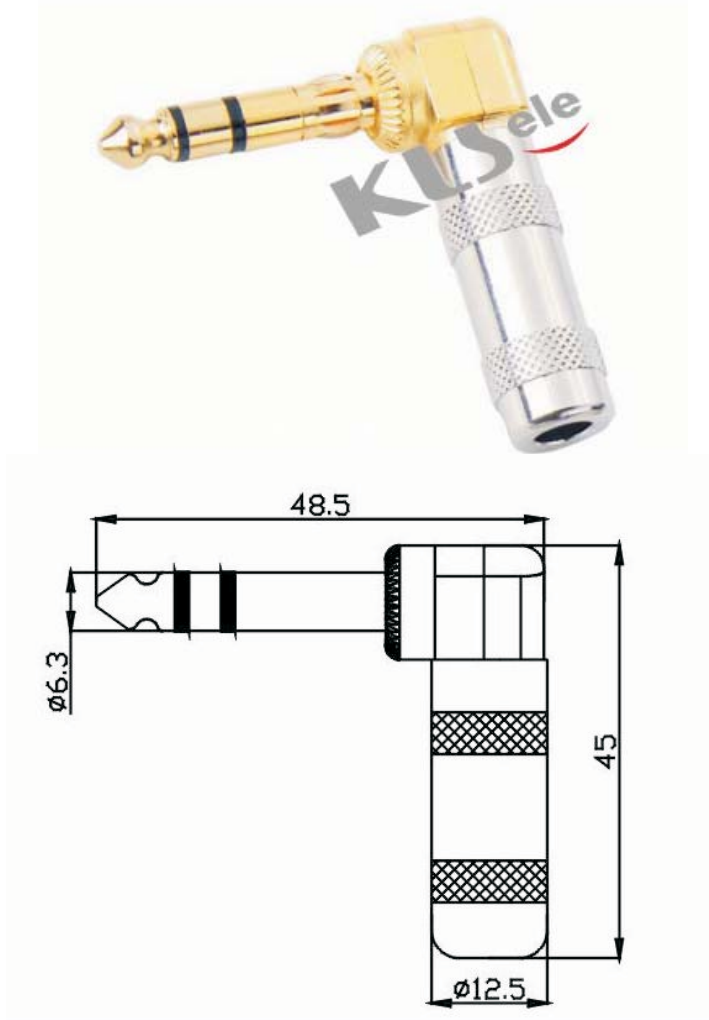
KLS's Part No.	Description
KLS1-PLG-012A-2.5A-N	2.5MM Stereo Plug / Nickel-plated
KLS1-PLG-012A-2.5A-G	2.5MM Stereo Plug / Gold-plated
KLS1-PLG-012A-3.5A-N	3.5MM Stereo Plug / Nickel-plated
KLS1-PLG-012A-3.5A-G	3.5MM Stereo Plug / Gold-plated
KLS1-PLG-012A-6.3A-N	6.3MM Stereo Plug / Nickel-plated
KLS1-PLG-012A-6.3A-G	6.3MM Stereo Plug / Gold-plated

Remark: Optional gold-plated nickel



MONO Plug / Stereo Plug Series

KLS1-PLR-01A (Stereo Plug)



ORDER INFORMATION

Product NO. : KLS1-PLR-01A

Pos. NO. _____
Part NO. _____

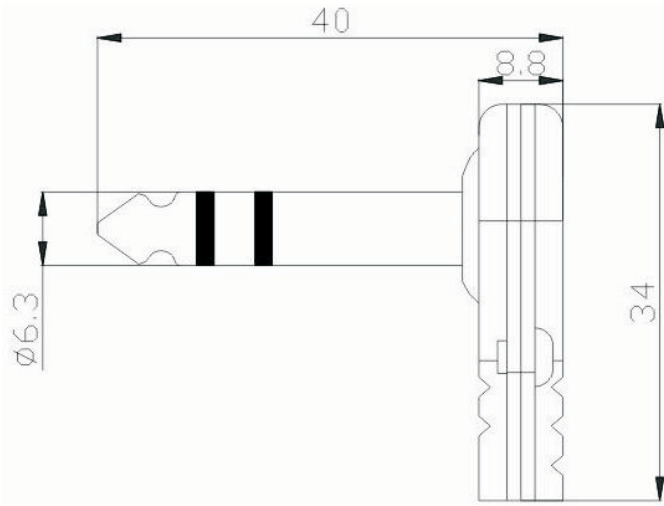
KLS's Part No.	Description
KLS1-PLR-01A-6.3-N	6.3mm Stereo Plug / Nickel-plated
KLS1-PLR-01A-6.3-G	6.3mm Stereo Plug / Gold-plated

Remark: Optional gold-plated nickel



MONO Plug / Stereo Plug Series

KLS1-PLR-02A (Stereo Plug)



ORDER INFORMATION

Product NO. : KLS1-PLR-02A

Pos. NO. _____
Part NO. _____

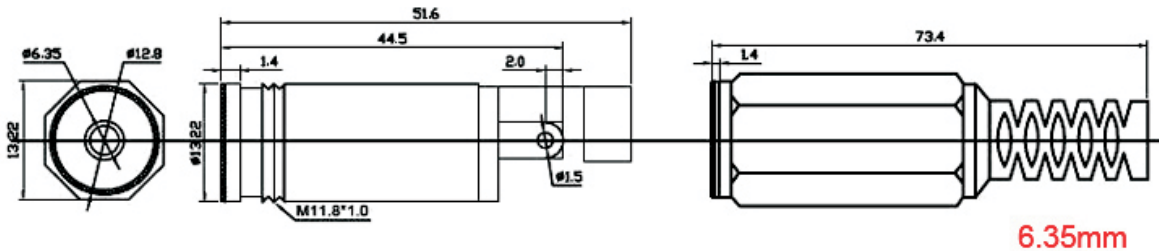
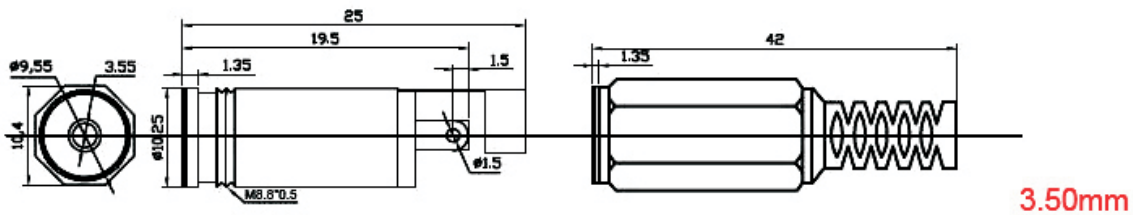
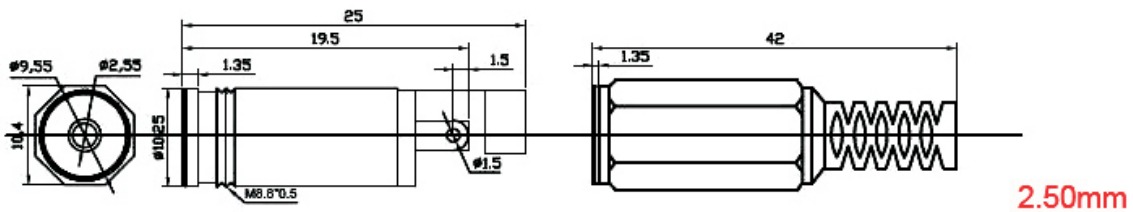
KLS's Part No.	Description
KLS1-PLR-02A-6.3-N	6.3mm Stereo Plug / Nickel-plated
KLS1-PLR-02A-6.3-G	6.3mm Stereo Plug / Gold-plated

Remark: Optional gold-plated nickel



MONO Plug / Stereo Plug Series

KLS1-PLS-001A (Stereo Plug)



ORDER INFORMATION

Product NO. : KLS1-PLS-001A

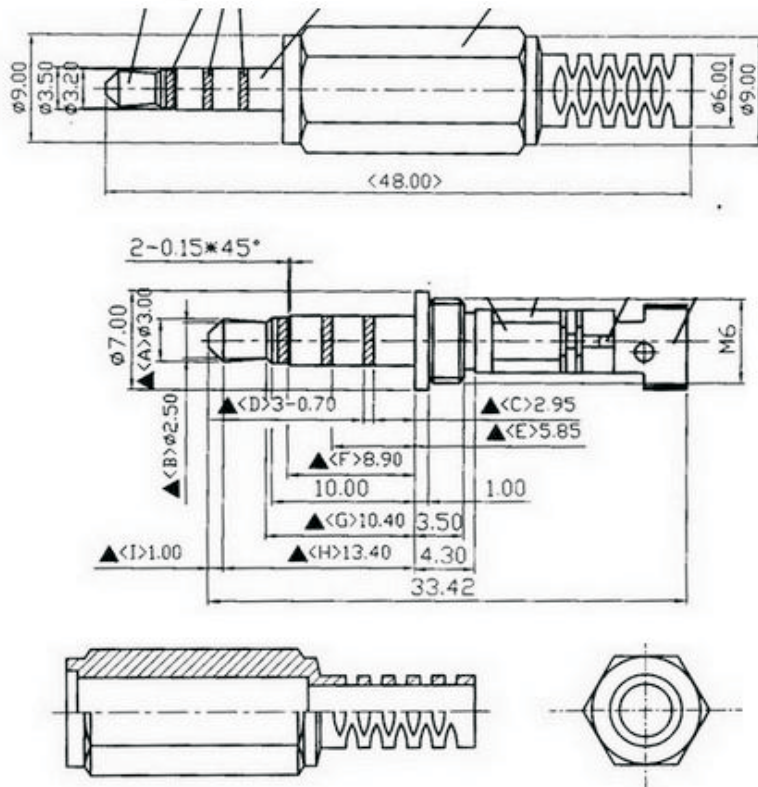
Pos. NO. _____
Part NO. _____

KLS's Part No.	Description
KLS1-PLS-001A-2.5-P-B	2.5MM Stereo plug socket / Plastic / Black color
KLS1-PLS-001A-2.5-M-N	2.5MM Stereo plug socket / Metal / Nickel-plated
KLS1-PLS-001A-3.5-P-B	3.5MM Stereo plug socket / Plastic / Black color
KLS1-PLS-001A-3.5-M-N	3.5MM Stereo plug socket / Metal / Nickel-plated
KLS1-PLS-001A-6.3-P-B	6.3MM Stereo plug socket / Plastic / Black color
KLS1-PLS-001A-6.3-M-N	6.3MM Stereo plug socket / Metal / Nickel-plated



MONO Plug / Stereo Plug Series

KLS1-PLG-003 (Stereo Plug)



ORDER INFORMATION

Product NO. : KLS1-PLG-003

Pos. NO. _____
Part NO. _____

KLS's Part No.	Description
KLS1-PLG-003-2.5-N-B	2.5MM Stereo plug / Nickel-plated / Black color
KLS1-PLG-003-2.5-G-R	2.5MM Stereo plug / Gold-plated / Red color
KLS1-PLG-003-3.5-N-B	3.5MM Stereo plug / Nickel-plated / Black color
KLS1-PLG-003-3.5-G-R	3.5MM Stereo plug / Gold-plated / Red color
KLS1-PLG-003-6.3-N-B	6.3MM Stereo plug / Nickel-plated / Black color
KLS1-PLG-003-6.3-G-R	6.3MM Stereo plug / Gold-plated / Red color

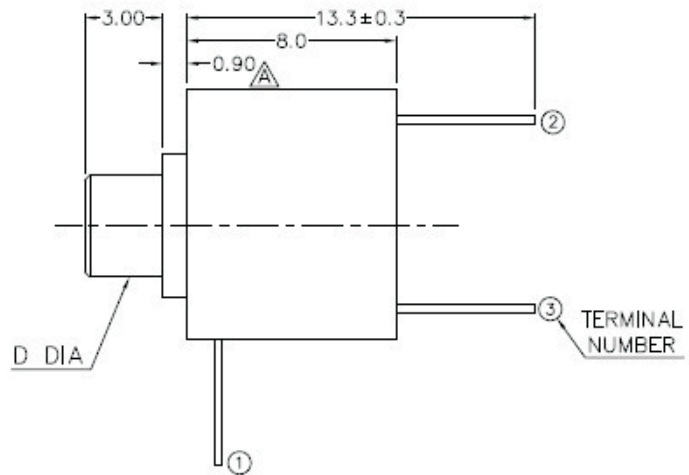
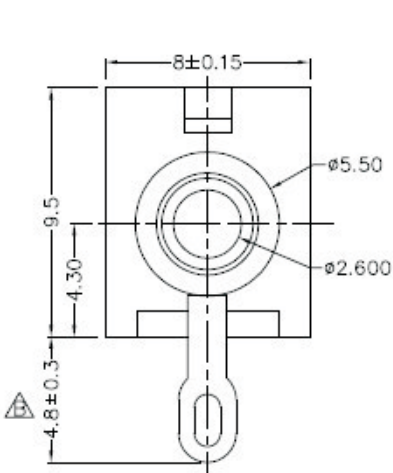
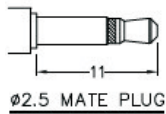
Remark: Optional gold-plated nickel And Color Optional



2.5mm Mono Jack * Stereo Jack Series

KLS1-TG-2.5-001A (Dip Mono Jack)

Housing Material / Center Pin Material	PBT / Brass
Rated Load	DC 12V 0.5A Max
Contact resistance	≤ 0.03 Ω
Insulation resistance	≥ 100M Ω
Withstand voltage	AC 500V(50Hz) 1min
Actuating Force	2.2~20N
Life	5000Time



MODEL NO.	TG-25N	TG-25F
D DIA	THREADED M4X0.5	FLASHED Ø4.0
SCHEMATIC		

*** MATERIAL**

- TERMINAL 1 : BRASS
- TERMINAL 2 : COPPER ALLOY
- TERMINAL 3 : BRASS
- BUSHING : BRASS
- HOUSING : PBT

ORDER INFORMATION

Product No. : KLS1-TG-2.5-001A

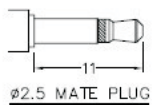
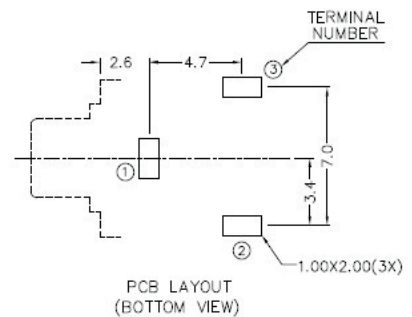
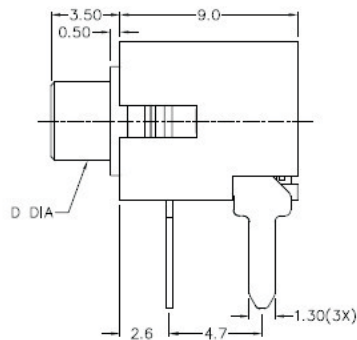
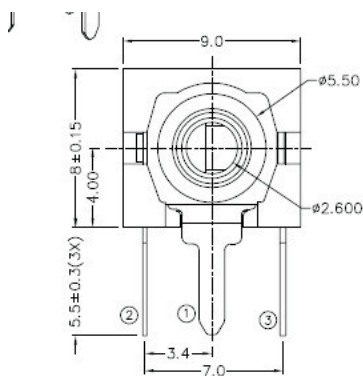
Pos. NO. _____
Series NO. _____



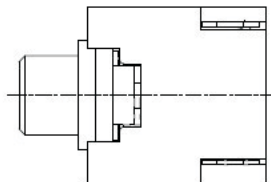
2.5mm Mono Jack * Stereo Jack Series

KLS1-TG-2.5-002A (Dip Mono Jack)

Housing Material / Center Pin Material	PBT / Brass
Rated Load	DC 12V 0.5A Max
Contact resistance	≤ 0.03 Ω
Insulation resistance	≥ 100M Ω
Withstand voltage	AC 500V(50Hz) 1min
Actuating Force	2.2~20N
Life	5000Time



- * MATERIAL**
- TERMINAL 1 : BRASS
 - TERMINAL 2 : COPPER ALLOY
 - TERMINAL 3 : BRASS
 - BUSHING : BRASS
 - HOUSING : PBT



MODEL NO.	TG-256N	TG-256F
D DIA	THREADED M4X0.5	FLASHED ø4.0
SCHEMATIC		

ORDER INFORMATION

Product No. : KLS1-TG-2.5-002A

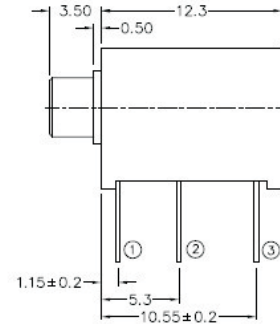
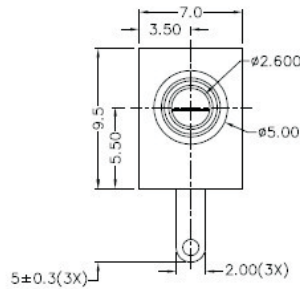
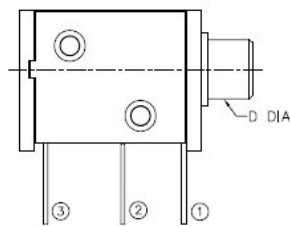
Pos. NO. _____
Series NO. _____



2.5mm Mono Jack * Stereo Jack Series

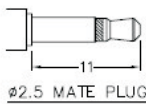
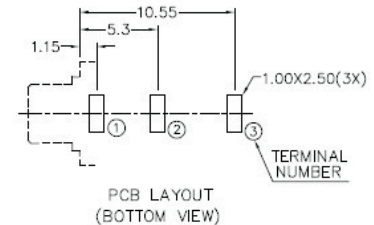
KLS1-TG-2.5-003A (Dip Mono Jack)

Housing Material / Center Pin Material	PBT / Brass
Rated Load	DC 12V 0.5A Max
Contact resistance	≤ 0.03 Ω
Insulation resistance	≥ 100M Ω
Withstand voltage	AC 500V(50Hz) 1min
Actuating Force	2.2~20N
Life	5000Time



MODEL NO.	TG-402N	TG-402F
	THREADED	FLASHED
D DIA	M4X0.5	φ4.0
SCHEMATIC		

* MATERIAL
 TERMINAL 1 : BRASS
 TERMINAL 2 : COPPER ALLOY
 TERMINAL 3 : BRASS
 BUSHING : BRASS
 HOUSING : PBT
 COVER : PBT



ORDER INFORMATION

Product No. : KLS1-TG-2.5-003A

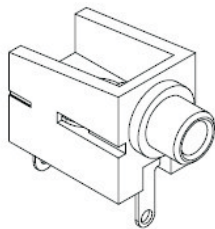
Pos. NO. _____
 Series NO. _____



2.5mm Mono Jack * Stereo Jack Series

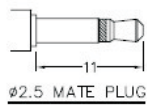
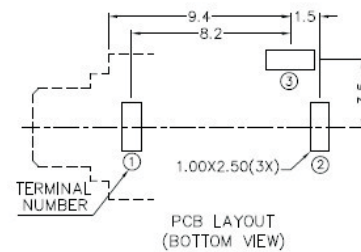
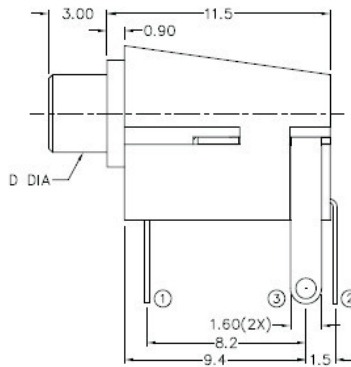
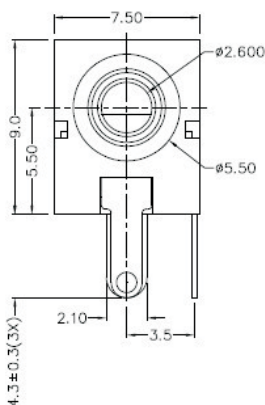
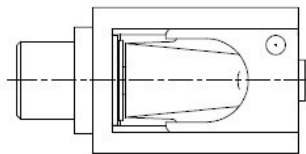
KLS1-TG-2.5-004A (Dip Mono Jack)

Housing Material / Center Pin Material	PBT / Brass
Rated Load	DC 12V 0.5A Max
Contact resistance	≤ 0.03 Ω
Insulation resistance	≥ 100M Ω
Withstand voltage	AC 500V(50Hz) 1min
Actuating Force	2.2~20N
Life	5000Time



RoHS
Compliant

ADD. MATE. PLUG	MARKING (UNIT)



MODEL NO.	TH-25N	TH-25F
D DIA	THREADED M4X0.5	FLASHED φ4.0
SCHEMATIC		

* MATERIAL

- TERMINAL 1 : BRASS
- TERMINAL 2 : COPPER ALLOY
- TERMINAL 3 : BRASS
- BUSHING : BRASS
- HOUSING : PBT

ORDER INFORMATION

Product No. : KLS1-TG-2.5-004A

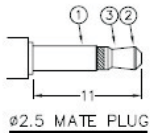
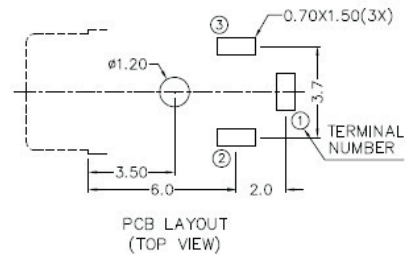
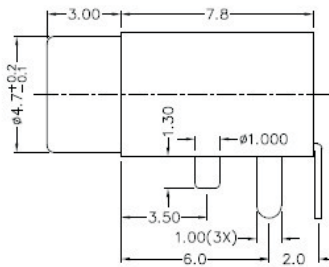
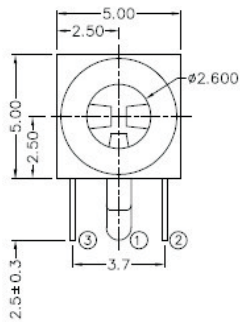
Pos. NO. _____
Series NO. _____



2.5mm Mono Jack * Stereo Jack Series

KLS1-TG-2.5-005A (Dip Mono Jack)

Housing Material / Center Pin Material	PBT / Brass
Rated Load	DC 12V 0.5A Max
Contact resistance	≤ 0.03 Ω
Insulation resistance	≥ 100M Ω
Withstand voltage	AC 500V(50Hz) 1min
Actuating Force	2.2~20N
Life	5000Time



MODEL NO.	TG-252
SCHEMATIC	

*** MATERIAL**
 TERMINAL 1 : COPPER ALLOY
 TERMINAL 2 : COPPER ALLOY
 TERMINAL 3 : COPPER ALLOY
 HOUSING : PBT

ORDER INFORMATION

Product No. : KLS1-TG-2.5-005A

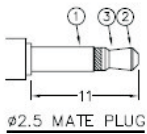
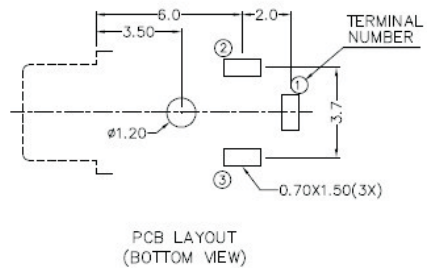
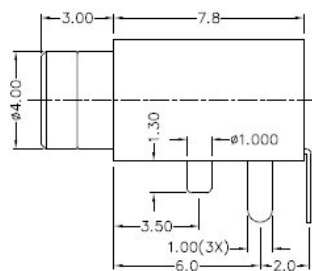
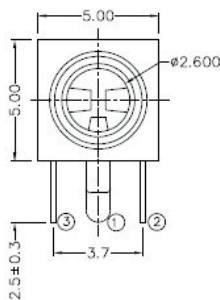
Pos. NO. _____
 Series NO. _____



2.5mm Mono Jack * Stereo Jack Series

KLS1-TG-2.5-006A (Dip Mono Jack)

Housing Material / Center Pin Material	PBT / Brass
Rated Load	DC 12V 0.5A Max
Contact resistance	≤ 0.03 Ω
Insulation resistance	≥ 100M Ω
Withstand voltage	AC 500V(50Hz) 1min
Actuating Force	2.2~20N
Life	5000Time

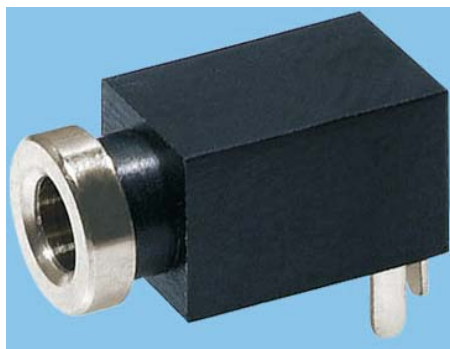


MODEL NO.	TG-253
SCHMATIC	

*** MATERIAL**

- TERMINAL 1 : COPPER ALLOY
- TERMINAL 2 : COPPER ALLOY
- TERMINAL 3 : COPPER ALLOY
- BUSHING : BRASS
- HOUSING : PBT

KLS1-TG-2.5-006B:



ORDER INFORMATION

Product No. : KLS1-TG-2.5-006A

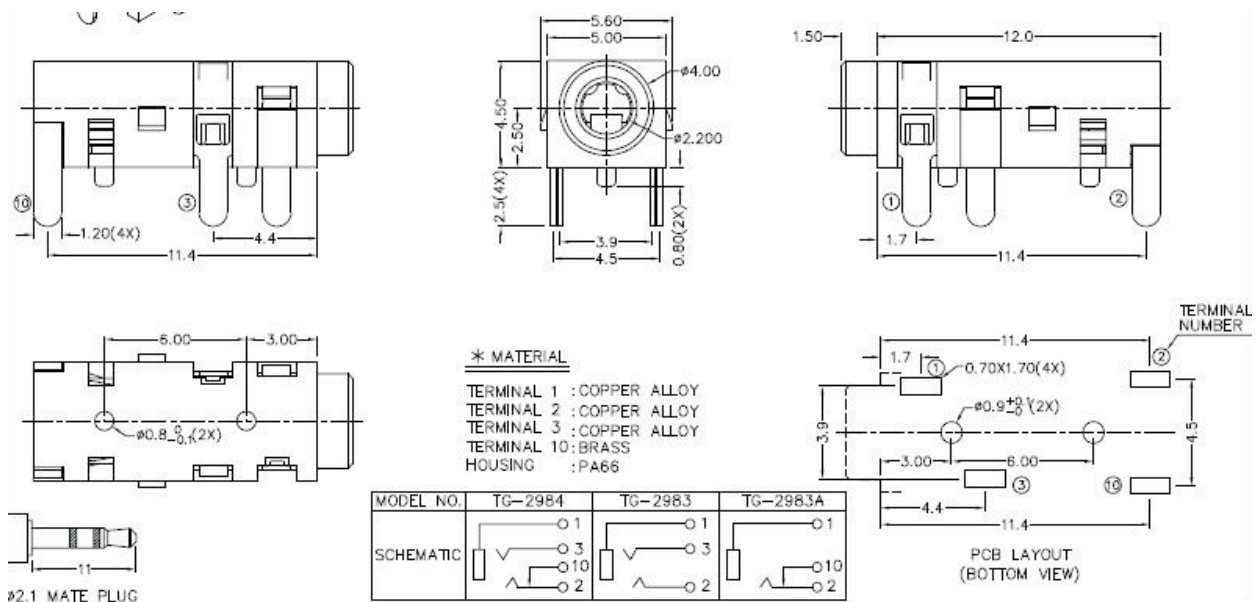
Pos. NO. _____
Series NO. _____



2.5mm Mono Jack * Stereo Jack Series

KLS1-TSJ-2.1-001A (Dip Stereo Jack)

Housing Material / Center Pin Material	PBT / Brass
Rated Load	DC 12V 0.5A Max
Contact resistance	≤ 0.03 Ω
Insulation resistance	≥ 100M Ω
Withstand voltage	AC 500V(50Hz) 1min
Actuating Force	2.2~20N
Life	5000Time



ORDER INFORMATION

Product No. : KLS1-TSJ-2.1-001A

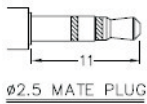
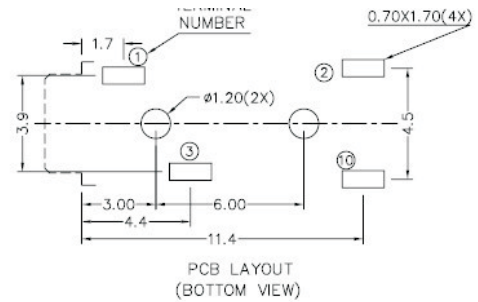
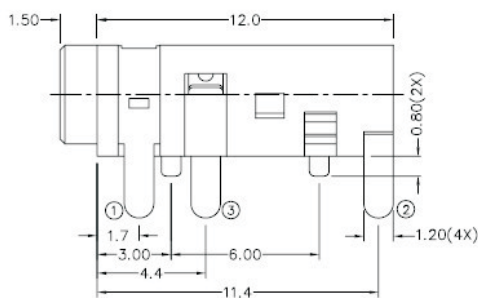
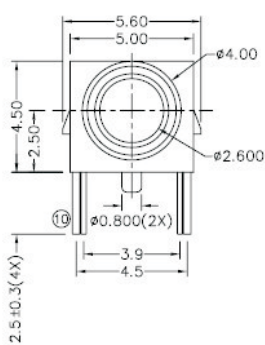
Pos. NO. _____
 Series NO. _____



2.5mm Mono Jack * Stereo Jack Series

KLS1-TSJ-2.5-001A (Dip Stereo Jack)

Housing Material / Center Pin Material	PA66 / Brass
Rated Load	DC 12V 1A Max
Contact resistance	≦ 0.03 Ω
Insulation resistance	≧ 100M Ω
Withstand voltage	AC 500V(50Hz) 1min
Actuating Force	3~20N
Life	5000Time



MODEL NO.	TG-2583A	TG-2583	TG-2584
SCHMATIC			

* MATERIAL

- TERMINAL 1 : COPPER ALLOY
- TERMINAL 2 : COPPER ALLOY
- TERMINAL 3 : COPPER ALLOY
- TERMINAL 10: BRASS
- HOUSING : PA66

ORDER INFORMATION

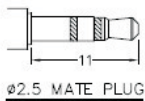
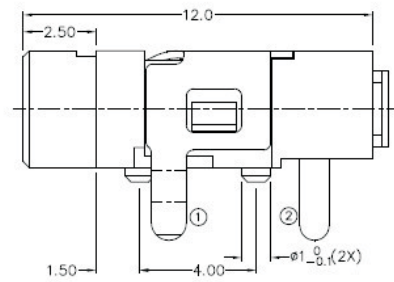
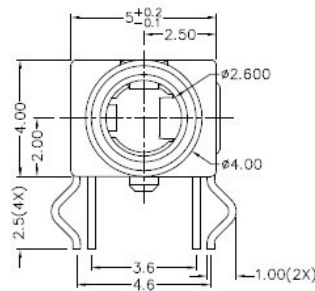
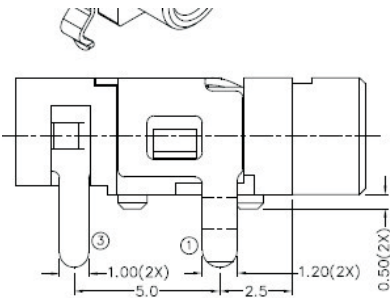
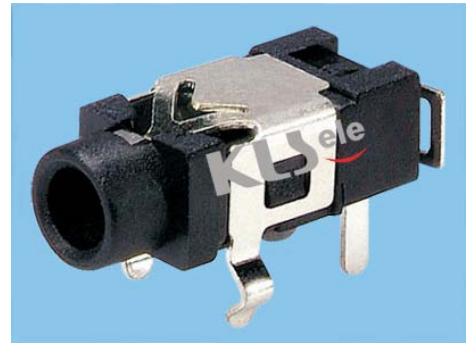
Product No. : KLS1-TSJ-2.5-001A

Pos. NO. _____
Series NO. _____

2.5mm Mono Jack * Stereo Jack Series

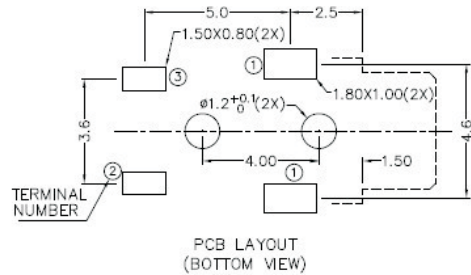
KLS1-TSJ-2.5-002A (Dip Stereo Jack)

Housing Material / Center Pin Material	PA66 / Brass
Rated Load	DC 12V 1A Max
Contact resistance	≦ 0.03 Ω
Insulation resistance	≧ 100M Ω
Withstand voltage	AC 500V(50Hz) 1min
Actuating Force	3~20N
Life	5000Time



MODEL NO.	TG-2803
SCHEMATIC	

* MATERIAL
 TERMINAL 1 : COPPER ALLOY
 TERMINAL 2 : COPPER ALLOY
 TERMINAL 3 : COPPER ALLOY
 HOUSING : PA66



ORDER INFORMATION

Product No. : KLS1-TSJ-2.5-002A

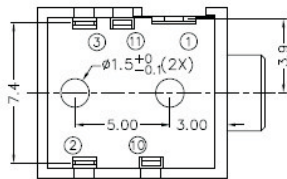
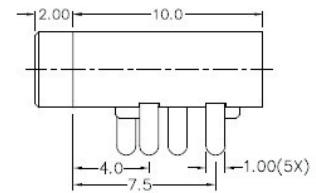
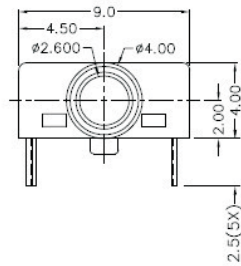
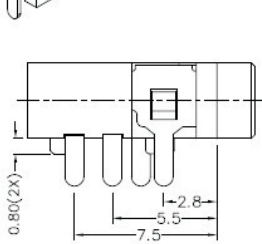
Pos. NO. _____
 Series NO. _____



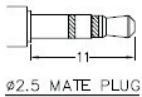
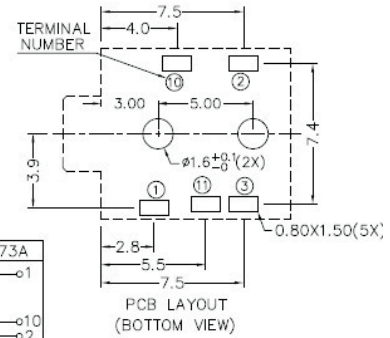
2.5mm Mono Jack * Stereo Jack Series

KLS1-TSJ-2.5-003A (Dip Stereo Jack)

Housing Material / Center Pin Material	PA66 / Brass
Rated Load	DC 12V 1A Max
Contact resistance	≦ 0.03 Ω
Insulation resistance	≧ 100M Ω
Withstand voltage	AC 500V(50Hz) 1min
Actuating Force	3~20N
Life	5000Time



*** MATERIAL**
 TERMINAL 1 : COPPER ALLOY
 TERMINAL 2 : COPPER ALLOY
 TERMINAL 3 : COPPER ALLOY
 TERMINAL 10 : BRASS
 TERMINAL 11 : BRASS
 HOUSING : PA66
 COVER : PA66



MODEL NO.	TG-2675	TG-2674A	TG-2674B	TG-2673	TG-2673A
SCHEMATIC					

ORDER INFORMATION

Product No. : KLS1-TSJ-2.5-003A

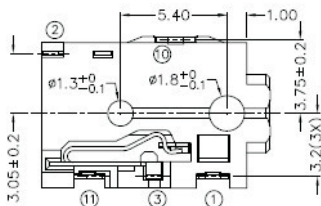
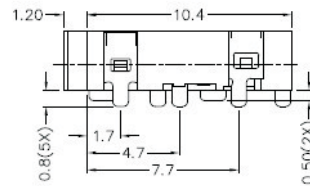
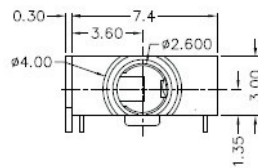
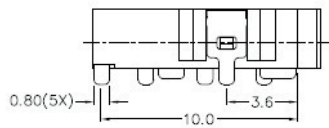
Pos. NO. _____
 Series NO. _____



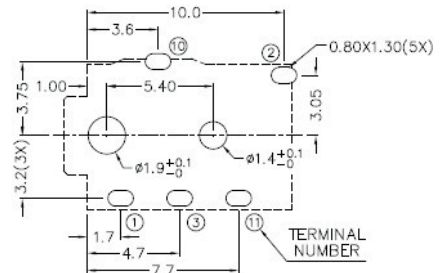
2.5mm Mono Jack * Stereo Jack Series

KLS1-TSJ-2.5-004A (Dip Stereo Jack)

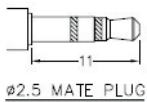
Housing Material / Center Pin Material	PA66 / Brass
Rated Load	DC 12V 1A Max
Contact resistance	≦ 0.03 Ω
Insulation resistance	≧ 100M Ω
Withstand voltage	AC 500V(50Hz) 1min
Actuating Force	3~20N
Life	5000Time



* MATERIAL
 TERMINAL 1 : COPPER ALLOY
 TERMINAL 2 : COPPER ALLOY
 TERMINAL 3 : COPPER ALLOY
 TERMINAL 10 : BRASS
 TERMINAL 11 : COPPER ALLOY
 HOUSING : PA6T



PCB LAYOUT (TOP VIEW)



MODEL NO.	TG-2745	TG-2744A	TG-2744B	TG-2743	TG-2743A
SCHEMATIC					

ORDER INFORMATION

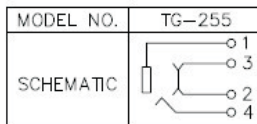
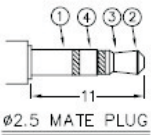
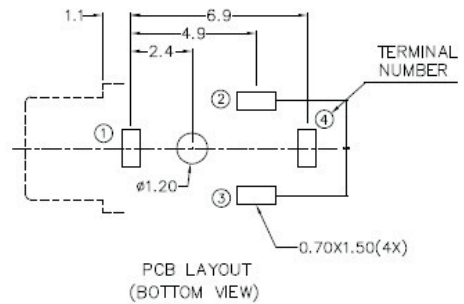
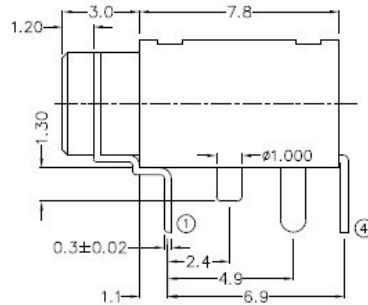
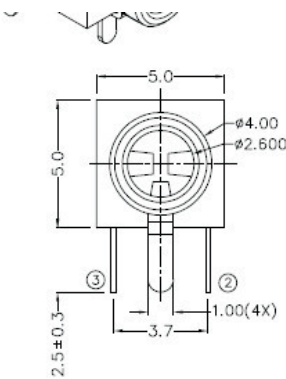
Product No. : KLS1-TSJ-2.5-004A

Pos. NO. _____
 Series NO. _____

2.5mm Mono Jack * Stereo Jack Series

KLS1-TSJ-2.5-005A (Dip Stereo Jack)

Housing Material / Center Pin Material	PBT / Brass
Rated Load	DC 12V 0.5A Max
Contact resistance	≦ 0.03 Ω
Insulation resistance	≧ 100M Ω
Withstand voltage	AC 500V(50Hz) 1min
Actuating Force	2.2~20N
Life	5000Time



- *MATERIAL
- TERMINAL 1 : BRASS
 - TERMINAL 2 : COPPER ALLOY
 - TERMINAL 3 : COPPER ALLOY
 - TERMINAL 4 : COPPER ALLOY
 - BUSHING : BRASS
 - HOUSING : PBT

ORDER INFORMATION

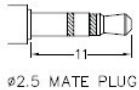
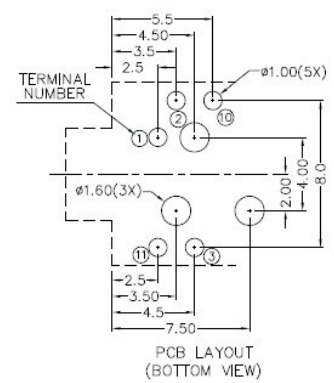
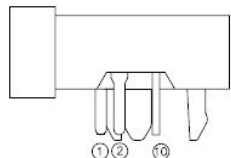
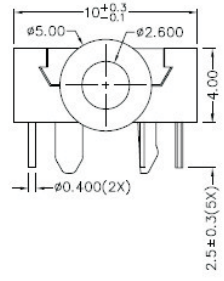
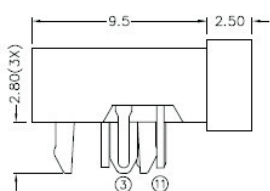
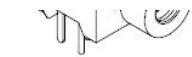
Product No. : KLS1-TSJ-2.5-005A

Pos. NO. _____
Series NO. _____

2.5mm Mono Jack * Stereo Jack Series

KLS1-TSJ-2.5-006A (Dip Stereo Jack)

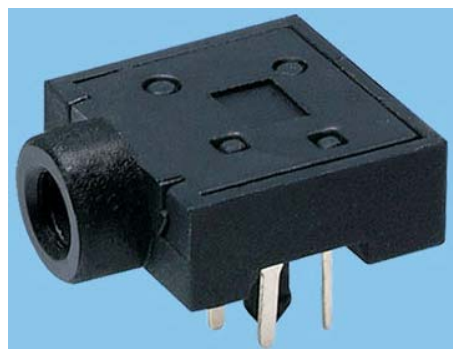
Housing Material / Center Pin Material	PA66 / Brass
Rated Load	DC 12V 1A Max
Contact resistance	≤ 0.03 Ω
Insulation resistance	≥ 100M Ω
Withstand voltage	AC 500V(50Hz) 1min
Actuating Force	2.2~20N
Life	5000Time



MODEL NO.	TG-2605	TG-2604A	TG-2604B	TG-2603	TG-2603A	TG-2602
SCHEMATIC						

- * MATERIAL**
 TERMINAL 1 : BRASS
 TERMINAL 2 : COPPER ALLOY
 TERMINAL 3 : COPPER ALLOY
 TERMINAL 10 : COPPER ALLOY
 TERMINAL 11 : COPPER ALLOY
 BUSHING : BRASS
 HOUSING : PA66
 COVER : PA66

KLS1-PJ-2.5-006B:



ORDER INFORMATION

Product No. : KLS1-TSJ-2.5-006A

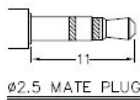
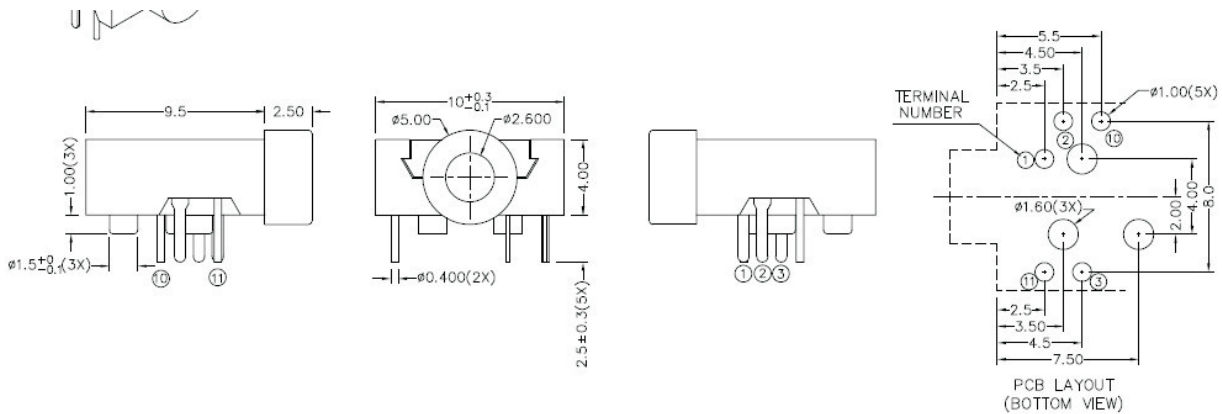
Pos. NO. _____
 Series NO. _____



2.5mm Mono Jack * Stereo Jack Series

KLS1-TSJ-2.5-007A (Dip Stereo Jack)

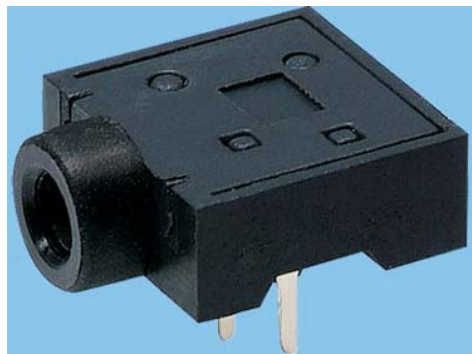
Housing Material / Center Pin Material	PA66 / Brass
Rated Load	DC 12V 1A Max
Contact resistance	≤ 0.03 Ω
Insulation resistance	≥ 100M Ω
Withstand voltage	AC 500V(50Hz) 1min
Actuating Force	2.2~20N
Life	5000Time



MODEL NO.	TG-2635P	TG-2634AP	TG-2634BP	TG-2633P	TG-2633AP	TG-2632P
SCHEMATIC						

- * MATERIAL**
 TERMINAL 1 : BRASS
 TERMINAL 2 : COPPER ALLOY
 TERMINAL 3 : COPPER ALLOY
 TERMINAL 10 : COPPER ALLOY
 TERMINAL 11 : COPPER ALLOY
 BUSHING : PA66
 HOUSING : PA66
 COVER : PA66

KLS1-PJ-2.5-007B:



ORDER INFORMATION

Product No. : KLS1-TSJ-2.5-007A

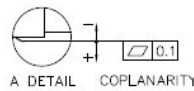
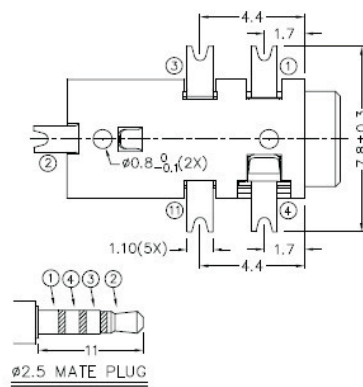
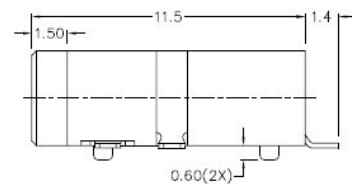
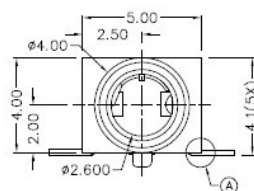
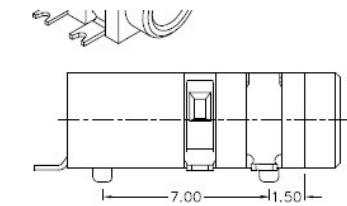
Pos. NO. _____
 Series NO. _____



2.5mm Mono Jack * Stereo Jack Series

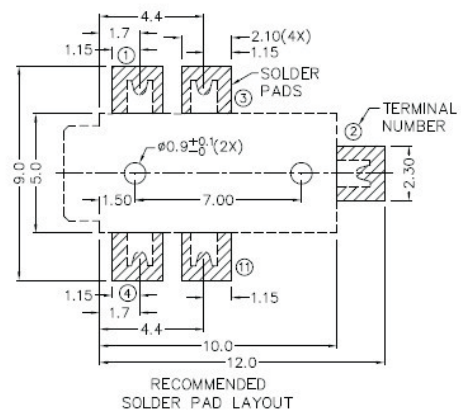
KLS1-SPJ-2.5-001A (SMD Stereo Jack)

Housing Material / Center Pin Material	PA6T / BRASS
Rated Load	DC 12V 1A Max
Contact resistance	≦ 0.03 Ω
Insulation resistance	≧ 100M Ω
Withstand voltage	AC 500V(50Hz) 1min
Actuating Force	3~20N
Life	5000Time



*** MATERIAL**
 TERMINAL 1 : COPPER ALLOY
 TERMINAL 2 : COPPER ALLOY
 TERMINAL 3 : COPPER ALLOY
 TERMINAL 4 : COPPER ALLOY
 TERMINAL 11 : BRASS
 HOUSING : PA6T

MODEL NO.	TG-2845D	TG-2844BD
SCHEMATIC		



ORDER INFORMATION

Product No. : KLS1-SPJ-2.5-001A

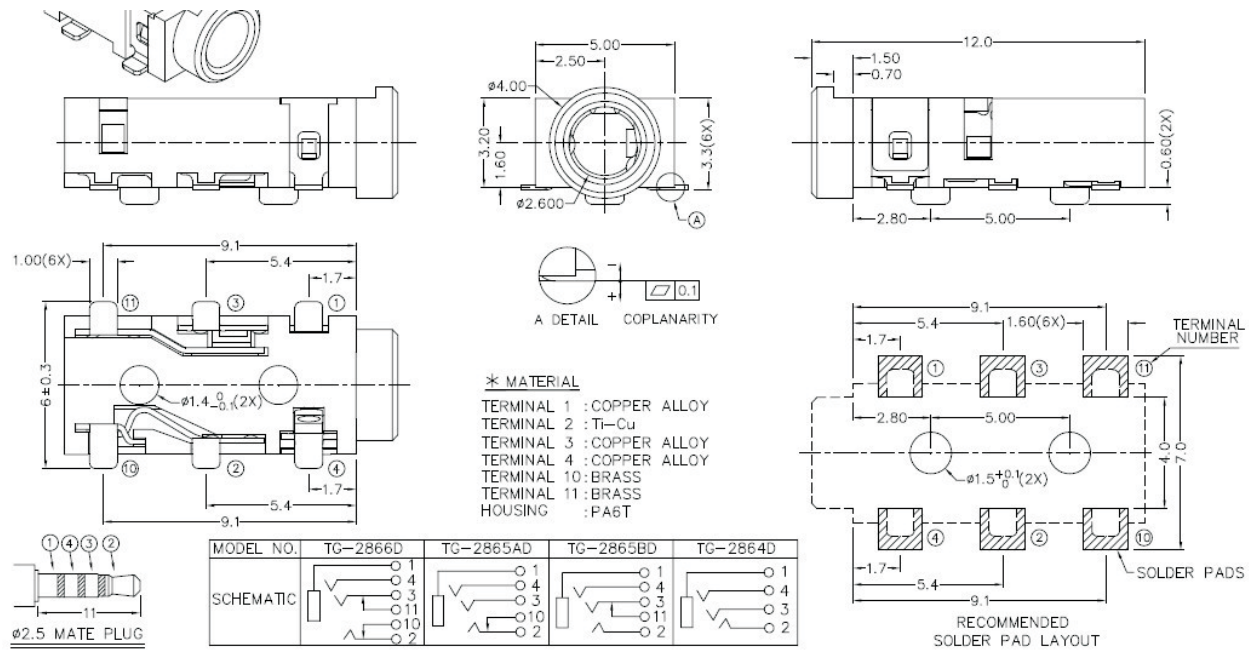
Pos. NO. _____
 Series NO. _____



2.5mm Mono Jack * Stereo Jack Series

KLS1-SPJ-2.5-002A (SMD Stereo Jack)

Housing Material / Center Pin Material	PA6T / BRASS
Rated Load	DC 12V 1A Max
Contact resistance	≦ 0.03 Ω
Insulation resistance	≧ 100M Ω
Withstand voltage	AC 500V(50Hz) 1min
Actuating Force	3~20N
Life	5000Time



ORDER INFORMATION

ProductNo. : KLS1-SPJ-2.5-002A

Pos. NO. _____
 Series NO. _____

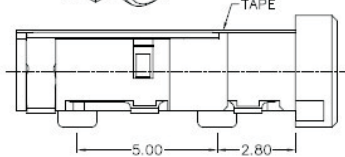
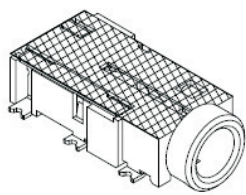
All specification & dimensions are subject to change, Please call your nearest KLS sales representative for update information



2.5mm Mono Jack * Stereo Jack Series

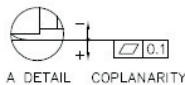
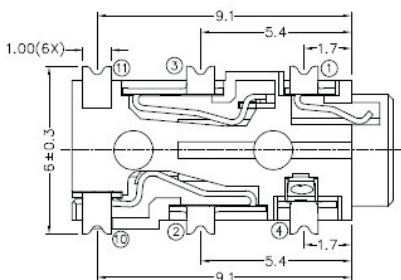
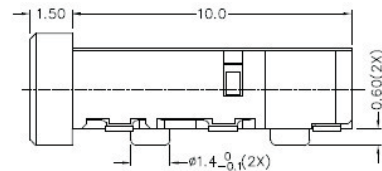
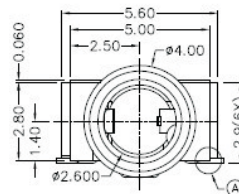
KLS1-SPJ-2.5-03A (SMD Stereo Jack)

Housing Material / Center Pin Material	PA6T / BRASS
Rated Load	DC 12V 1A Max
Contact resistance	≦ 0.03 Ω
Insulation resistance	≧ 100M Ω
Withstand voltage	AC 500V(50Hz) 1min
Actuating Force	3~20N
Life	5000Time



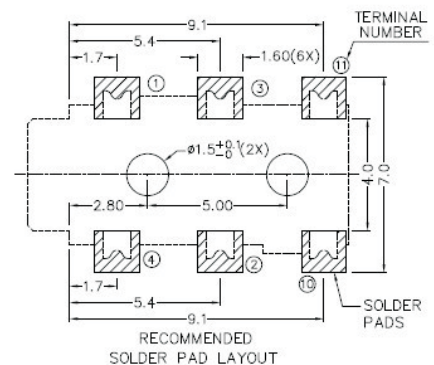
RoHS
Compliant

ZONE	SYMBOL	REVISION	APPROVAL	DATE
		RENOVATED STRUCTURE	J.X.KUANG	17-9-21

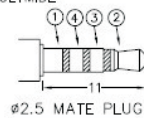


* MATERIAL

- TERMINAL 1 : COPPER ALLOY
- TERMINAL 2 : COPPER ALLOY
- TERMINAL 3 : COPPER ALLOY
- TERMINAL 4 : COPPER ALLOY
- TERMINAL 10 : COPPER ALLOY
- TERMINAL 11 : COPPER ALLOY
- HOUSING : PA6T
- TAPE : POLYIMIDE



MODEL NO.	TG-2966DT1	TG-2965ADT1	TG-2965BDT1	TG-2964DT1
SCHEMATIC				



ORDER INFORMATION

Product No. : KLS1-SPJ-2.5-003A

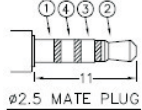
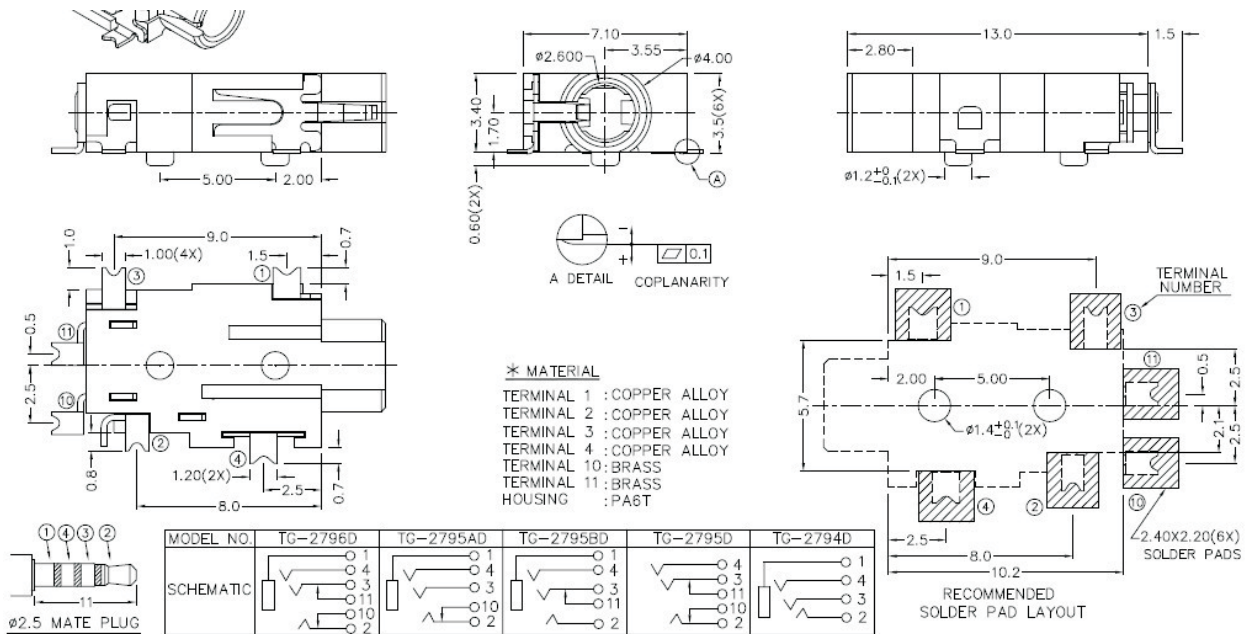
Pos. NO. _____
Series NO. _____



2.5mm Mono Jack * Stereo Jack Series

KLS1-SPJ-2.5-004A (SMD Stereo Jack)

Housing Material / Center Pin Material	PA6T / BRASS
Rated Load	DC 12V 1A Max
Contact resistance	≦ 0.03 Ω
Insulation resistance	≧ 100M Ω
Withstand voltage	AC 500V(50Hz) 1min
Actuating Force	3~20N
Life	5000Time



MODEL NO.	TG-2796D	TG-2795AD	TG-2795BD	TG-2795D	TG-2794D
SCHEMATIC					

ORDER INFORMATION

Product No. : KLS1-SPJ-2.5-004A

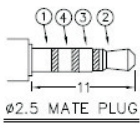
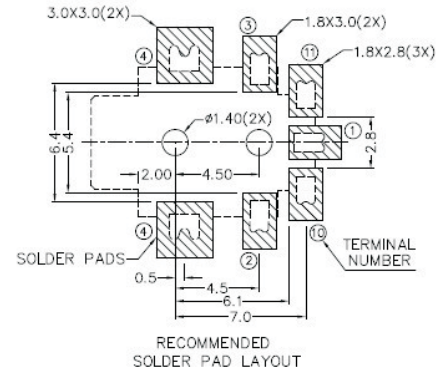
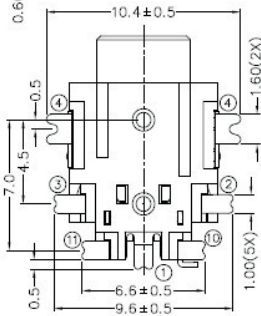
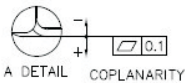
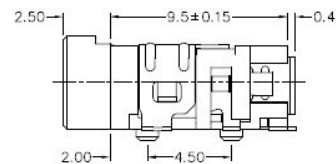
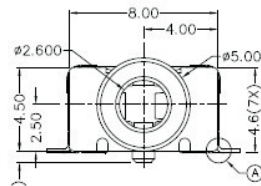
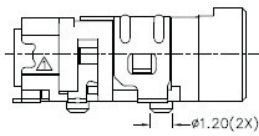
Pos. NO. _____
 Series NO. _____



2.5mm Mono Jack * Stereo Jack Series

KLS1-SPJ-2.5-005A (SMD Stereo Jack)

Housing Material / Center Pin Material	PA6T / BRASS
Rated Load	DC 12V 1A Max
Contact resistance	≦ 0.03 Ω
Insulation resistance	≧ 100M Ω
Withstand voltage	AC 500V(50Hz) 1min
Actuating Force	3~20N
Life	5000Time



*** MATERIAL**
 TERMINAL 1 : COPPER ALLOY
 TERMINAL 2 : COPPER ALLOY
 TERMINAL 3 : COPPER ALLOY
 TERMINAL 4 : COPPER ALLOY
 TERMINAL 10 : BRASS
 TERMINAL 11 : BRASS
 HOUSING : PA6T

MODEL NO.	TG-2706D	TG-2705AD	TG-2705BD	TG-2705D	TG-2704D
SCHMATIC					

ORDER INFORMATION

Product No. : KLS1-SPJ-2.5-005A

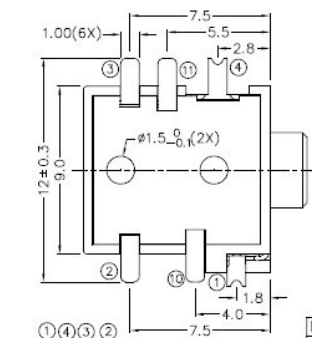
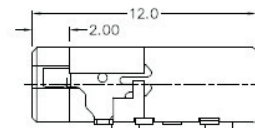
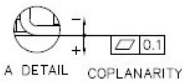
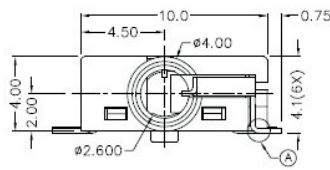
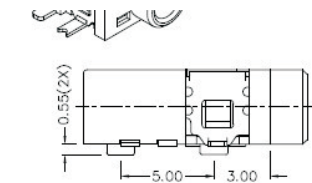
Pos. NO. _____
 Series NO. _____



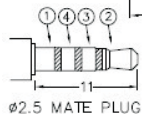
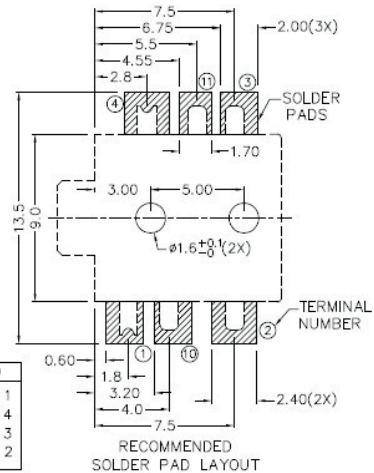
2.5mm Mono Jack * Stereo Jack Series

KLS1-SPJ-2.5-006A (SMD Stereo Jack)

Housing Material / Center Pin Material	PA6T / BRASS
Rated Load	DC 12V 1A Max
Contact resistance	≦ 0.03 Ω
Insulation resistance	≧ 100M Ω
Withstand voltage	AC 500V(50Hz) 1min
Actuating Force	3~20N
Life	5000Time



- * MATERIAL**
 TERMINAL 1 : COPPER ALLOY
 TERMINAL 2 : COPPER ALLOY
 TERMINAL 3 : COPPER ALLOY
 TERMINAL 4 : COPPER ALLOY
 TERMINAL 10: BRASS
 TERMINAL 11: BRASS
 HOUSING : PA6T
 COVER : PA6T



MODEL NO.	TG-2716D	TG-2715AD	TG-2715BD	TG-2714D
SCHEMATIC				

ORDER INFORMATION

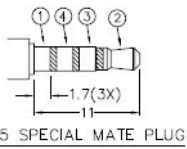
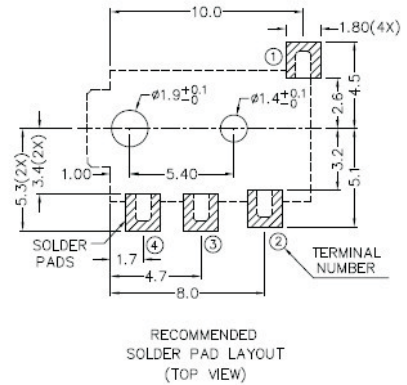
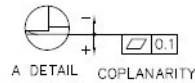
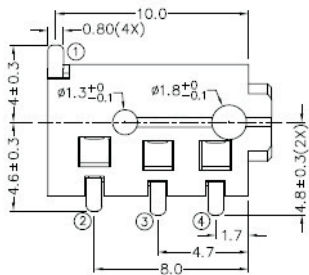
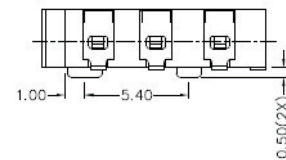
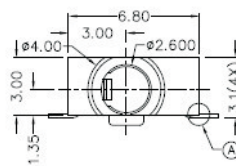
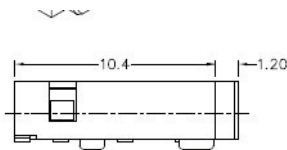
Product No. : KLS1-SPJ-2.5-006A

Pos. NO. _____
 Series NO. _____

2.5mm Mono Jack * Stereo Jack Series

KLS1-SPJ-2.5-007A (SMD Stereo Jack)

Housing Material / Center Pin Material	PA6T / BRASS
Rated Load	DC 12V 1A Max
Contact resistance	≦ 0.03 Ω
Insulation resistance	≧ 100M Ω
Withstand voltage	AC 500V(50Hz) 1min
Actuating Force	3~20N
Life	5000Time



MODEL NO.	TG-2724
SCHMATIC	

- * MATERIAL**
 TERMINAL 1 : COPPER ALLOY
 TERMINAL 2 : COPPER ALLOY
 TERMINAL 3 : COPPER ALLOY
 TERMINAL 4 : COPPER ALLOY
 HOUSING : PA6T

ORDER INFORMATION

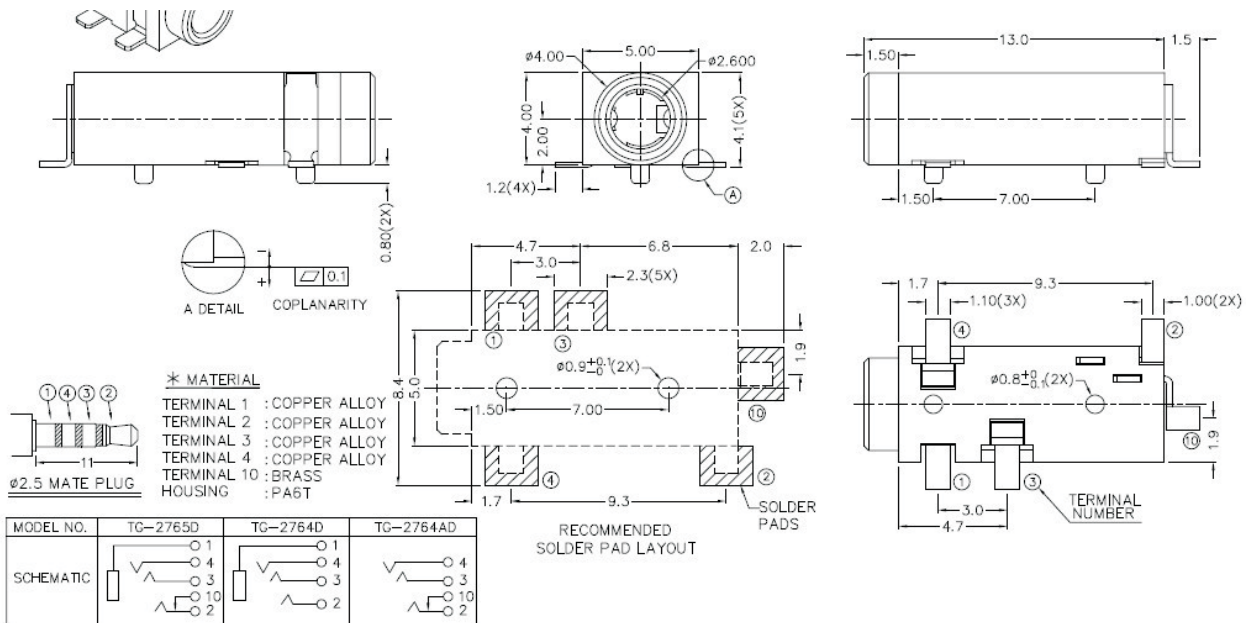
Product No. : KLS1-SPJ-2.5-007A

Pos. NO. _____
 Series NO. _____

2.5mm Mono Jack * Stereo Jack Series

KLS1-SPJ-2.5-008A (SMD Stereo Jack)

Housing Material / Center Pin Material	PA6T / BRASS
Rated Load	DC 12V 1A Max
Contact resistance	≦ 0.03 Ω
Insulation resistance	≧ 100M Ω
Withstand voltage	AC 500V(50Hz) 1min
Actuating Force	3~20N
Life	5000Time



ORDER INFORMATION

Product No. : KLS1-SPJ-2.5-008A

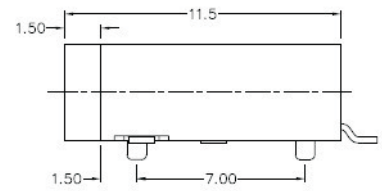
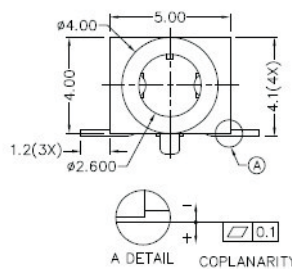
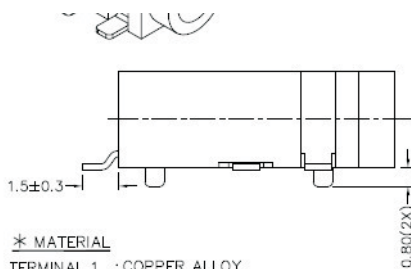
Pos. NO. _____
 Series NO. _____



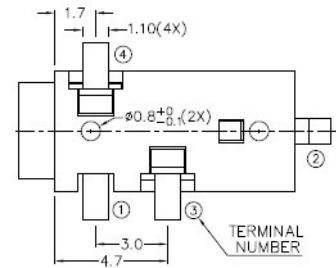
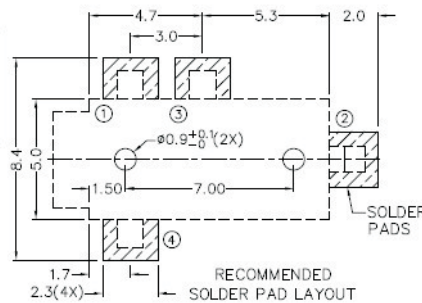
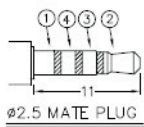
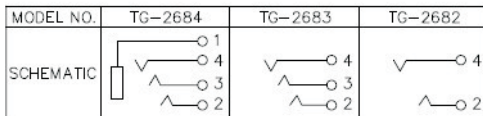
2.5mm Mono Jack * Stereo Jack Series

KLS1-SPJ-2.5-009A (SMD Stereo Jack)

Housing Material / Center Pin Material	PA6T / BRASS
Rated Load	DC 12V 1A Max
Contact resistance	≦ 0.03 Ω
Insulation resistance	≧ 100M Ω
Withstand voltage	AC 500V(50Hz) 1min
Actuating Force	3~20N
Life	5000Time



- * MATERIAL
 TERMINAL 1 : COPPER ALLOY
 TERMINAL 2 : COPPER ALLOY
 TERMINAL 3 : COPPER ALLOY
 TERMINAL 4 : COPPER ALLOY
 HOUSING : PA6T



ORDER INFORMATION

Product No. : KLS1-SPJ-2.5-009A

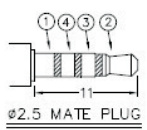
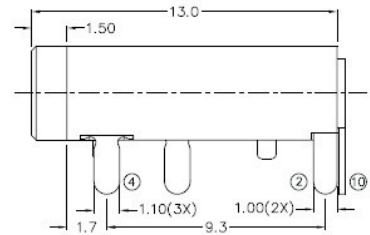
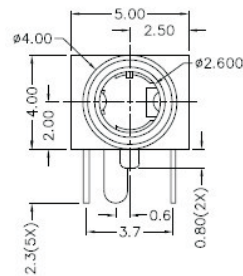
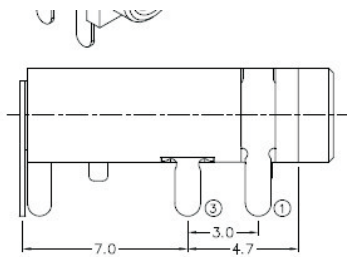
Pos. NO. _____
 Series NO. _____



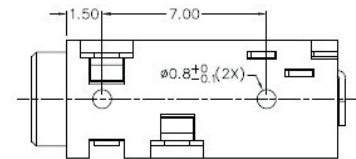
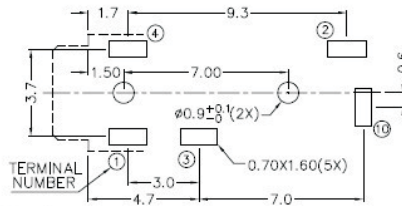
2.5mm Mono Jack * Stereo Jack Series

KLS1-SSJ-2.5-001A (Dip Stereo Jack)

Housing Material / Center Pin Material	PA66 / Brass
Rated Load	DC 12V 1A Max
Contact resistance	≦ 0.03 Ω
Insulation resistance	≧ 100M Ω
Withstand voltage	AC 500V(50Hz) 1min
Actuating Force	2.2~20N
Life	5000Time



*** MATERIAL**
 TERMINAL 1 : COPPER ALLOY
 TERMINAL 2 : COPPER ALLOY
 TERMINAL 3 : COPPER ALLOY
 TERMINAL 4 : COPPER ALLOY
 TERMINAL 10: BRASS
 HOUSING : PA66



MODEL NO.	TG-2765	TG-2764	TG-2764A
SCHEMATIC			

ORDER INFORMATION

Product No. : KLS1-SSJ-2.5-001A

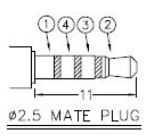
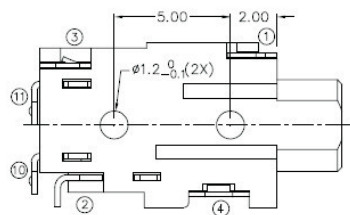
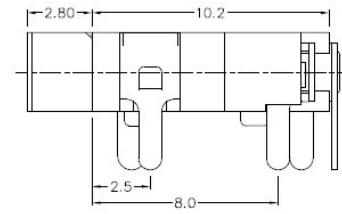
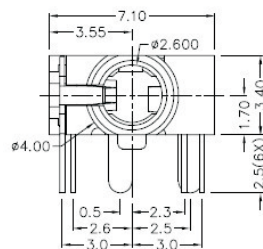
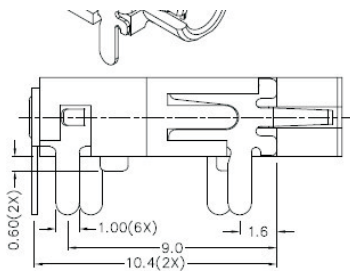
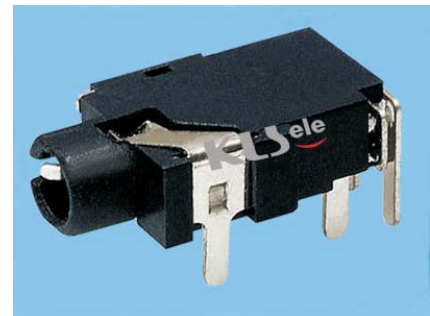
Pos. NO. _____
 Series NO. _____



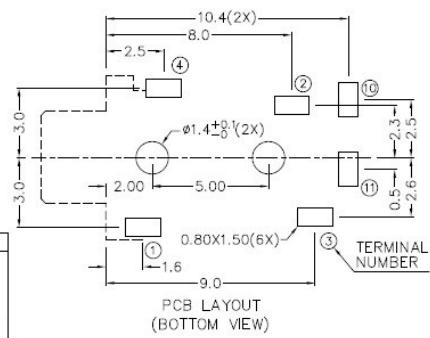
2.5mm Mono Jack * Stereo Jack Series

KLS1-SSJ-2.5-002A (Dip Stereo Jack)

Housing Material / Center Pin Material	PA66 / Brass
Rated Load	DC 12V 1A Max
Contact resistance	≦ 0.03 Ω
Insulation resistance	≧ 100M Ω
Withstand voltage	AC 500V(50Hz) 1min
Actuating Force	2.2~20N
Life	5000Time



* MATERIAL
 TERMINAL 1 : COPPER ALLOY
 TERMINAL 2 : COPPER ALLOY
 TERMINAL 3 : COPPER ALLOY
 TERMINAL 4 : COPPER ALLOY
 TERMINAL 10: BRASS
 TERMINAL 11: BRASS
 HOUSING : PA66



MODEL NO.	TG-2796	TG-2795A	TG-2795B	TG-2795	TG-2794
SCHEMATIC					

ORDER INFORMATION

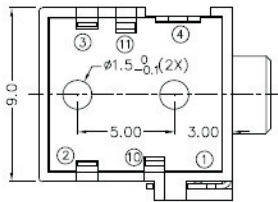
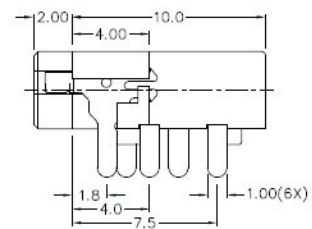
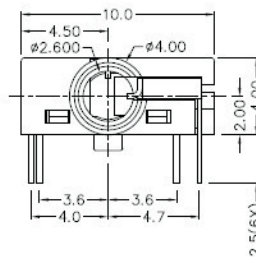
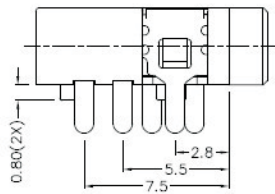
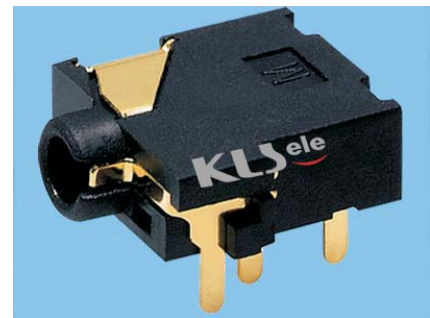
Product No. : KLS1-SSJ-2.5-002A

Pos. NO. _____
 Series NO. _____

2.5mm Mono Jack * Stereo Jack Series

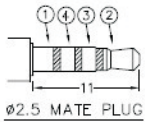
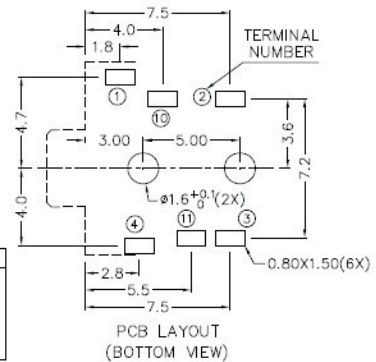
KLS1-SSJ-2.5-003A (Dip Stereo Jack)

Housing Material / Center Pin Material	PA66 / Brass
Rated Load	DC 12V 1A Max
Contact resistance	≦ 0.03 Ω
Insulation resistance	≧ 100M Ω
Withstand voltage	AC 500V(50Hz) 1min
Actuating Force	2.2~20N
Life	5000Time



*** MATERIAL**

- TERMINAL 1 : COPPER ALLOY
- TERMINAL 2 : COPPER ALLOY
- TERMINAL 3 : COPPER ALLOY
- TERMINAL 4 : COPPER ALLOY
- TERMINAL 10 : BRASS
- TERMINAL 11 : BRASS
- HOUSING : PA66
- COVER : PA66



MODEL NO.	TG-2716	TG-2715A	TG-2715B	TG-2714
SCHEMATIC				

ORDER INFORMATION

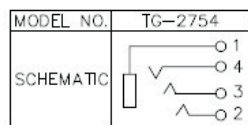
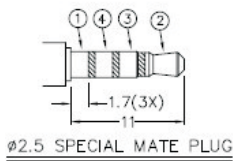
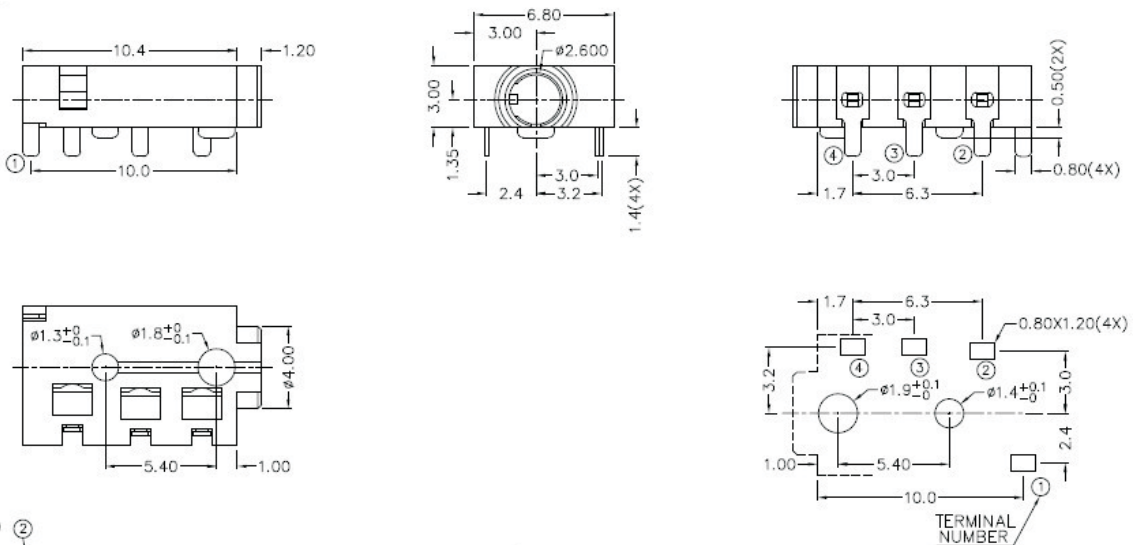
Product No. : KLS1-SSJ-2.5-003A

Pos. NO. _____
Series NO. _____

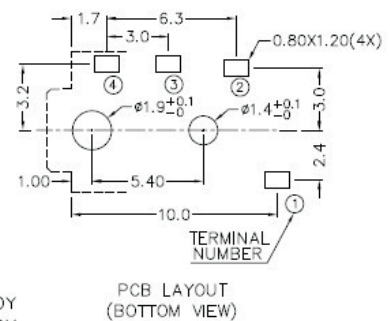
2.5mm Mono Jack * Stereo Jack Series

KLS1-SSJ-2.5-004A (Dip Stereo Jack)

Housing Material / Center Pin Material	PA66 / Brass
Rated Load	DC 12V 1A Max
Contact resistance	≦ 0.03 Ω
Insulation resistance	≧ 100M Ω
Withstand voltage	AC 500V(50Hz) 1min
Actuating Force	2.2~20N
Life	5000Time



- * MATERIAL**
- TERMINAL 1 : COPPER ALLOY
 - TERMINAL 2 : COPPER ALLOY
 - TERMINAL 3 : COPPER ALLOY
 - TERMINAL 4 : COPPER ALLOY
 - HOUSING : PA66



ORDER INFORMATION

Product No. : KLS1-SSJ-2.5-004A

Pos. NO. _____

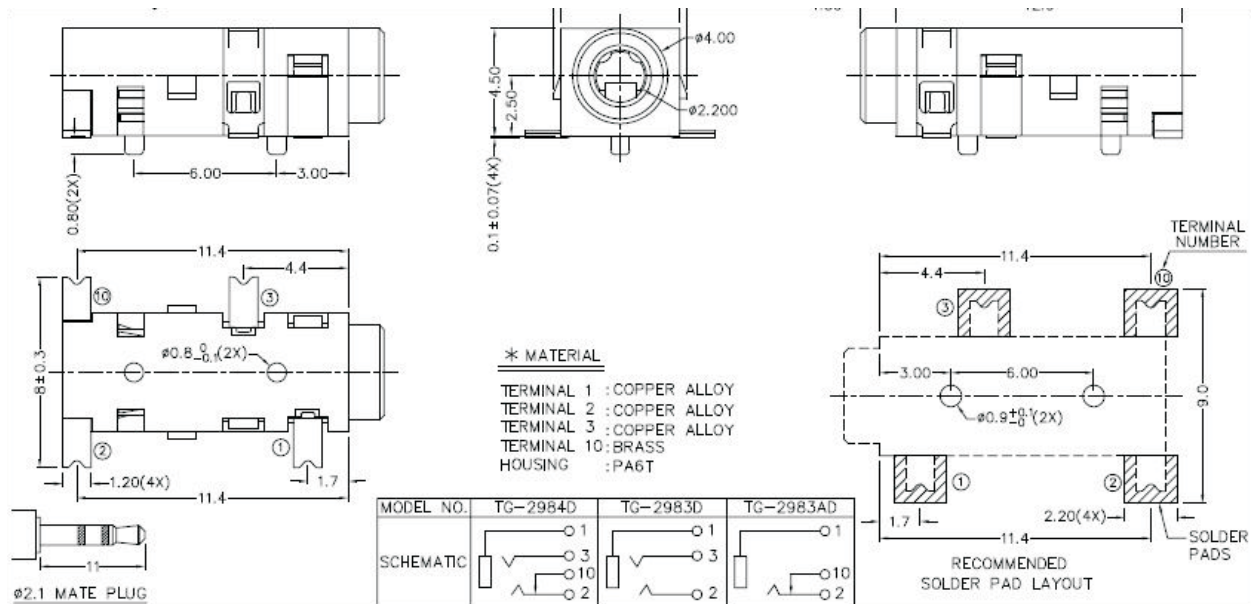
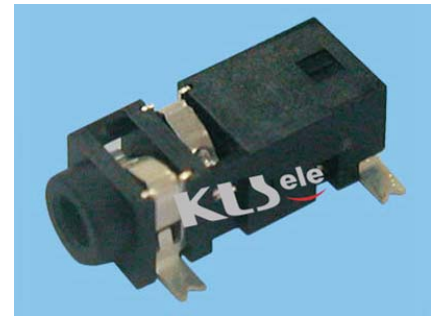
Series NO. _____



2.5mm Mono Jack * Stereo Jack Series

KLS1-TPJ-2.1-001A (SMD Stereo Jack)

Housing Material / Center Pin Material	PA66 / Brass
Rated Load	DC 12V 1A Max
Contact resistance	≦ 0.03 Ω
Insulation resistance	≧ 100M Ω
Withstand voltage	AC 500V(50Hz) 1min
Actuating Force	2.2~20N
Life	5000Time



ORDER INFORMATION

Product No. : KLS1-TPJ-2.1-001A

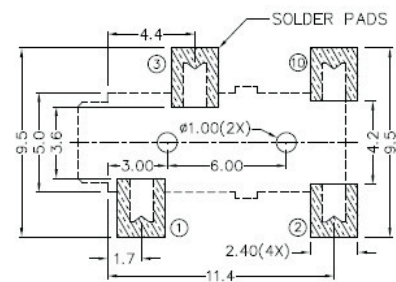
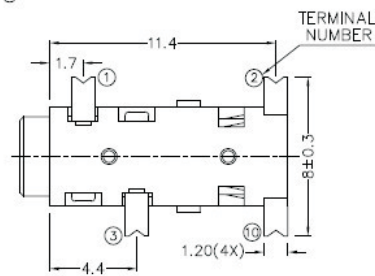
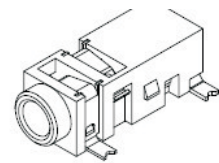
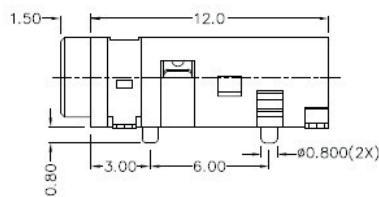
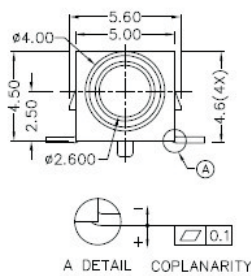
Pos. NO. _____
 Series NO. _____



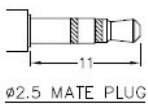
2.5mm Mono Jack * Stereo Jack Series

KLS1-TPJ-2.5-001A (SMD Stereo Jack)

Housing Material / Center Pin Material	PA66 / Brass
Rated Load	DC 12V 1A Max
Contact resistance	≦ 0.03 Ω
Insulation resistance	≧ 100M Ω
Withstand voltage	AC 500V(50Hz) 1min
Actuating Force	2.2~20N
Life	5000Time



- * MATERIAL**
- TERMINAL 1 : COPPER ALLOY
 - TERMINAL 2 : COPPER ALLOY
 - TERMINAL 3 : COPPER ALLOY
 - TERMINAL 10: BRASS
 - HOUSING : PA6T



MODEL NO.	TG-2573A	TG-2573	TG-2574
SCHEMATIC			

ORDER INFORMATION

Product No. : KLS1-TPJ-2.5-001A

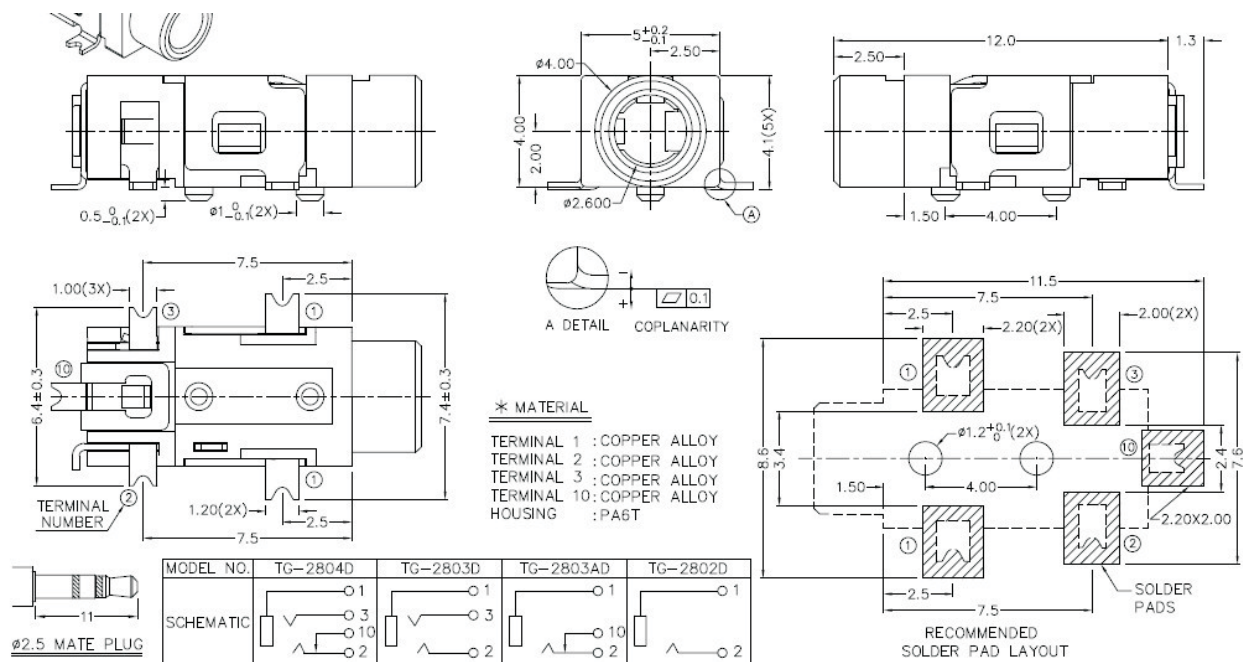
Pos. NO. _____
Series NO. _____



2.5mm Mono Jack * Stereo Jack Series

KLS1-TPJ-2.5-002A (SMD Stereo Jack)

Housing Material / Center Pin Material	PA6T / PHOSPHOR BRONZE
Rated Load	DC 12V 1A Max
Contact resistance	≦ 0.03 Ω
Insulation resistance	≧ 100M Ω
Withstand voltage	AC 500V(50Hz) 1min
Actuating Force	3~20N
Life	5000Time



ORDER INFORMATION

Product No. : KLS1-TPJ-2.5-002A

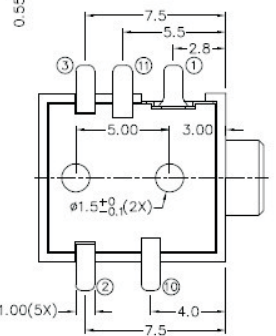
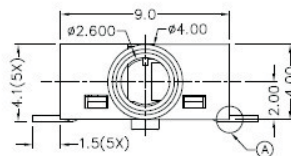
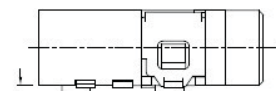
Pos. NO. _____
 Series NO. _____



2.5mm Mono Jack * Stereo Jack Series

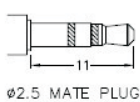
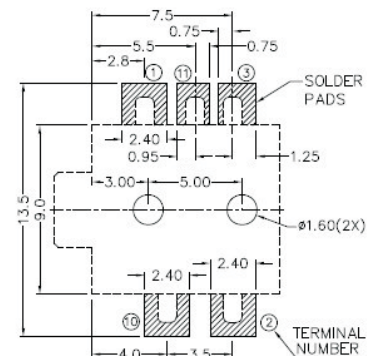
KLS1-TPJ-2.5-003A (SMD Stereo Jack)

Housing Material / Center Pin Material	PA6T / PHOSPHOR BRONZE
Rated Load	DC 12V 1A Max
Contact resistance	≤ 0.03 Ω
Insulation resistance	≥ 100M Ω
Withstand voltage	AC 500V(50Hz) 1min
Actuating Force	3~20N
Life	5000Time



*** MATERIAL**

- TERMINAL 1 : COPPER ALLOY
- TERMINAL 2 : COPPER ALLOY
- TERMINAL 3 : COPPER ALLOY
- TERMINAL 10 : BRASS
- TERMINAL 11 : BRASS
- HOUSING : PA6T
- COVER : PA6T



MODEL NO.	TG-2595	TG-2594A	TG-2594B	TG-2593	TG-2593A	TG-2592
SCHEMATIC						

RECOMMENDED SOLDER PAD LAYOUT

ORDER INFORMATION

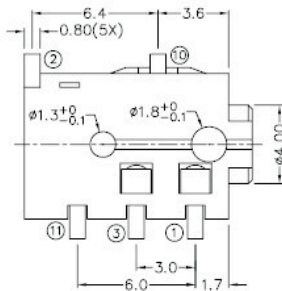
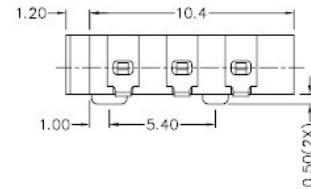
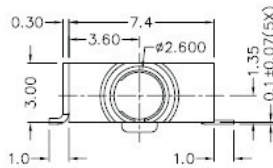
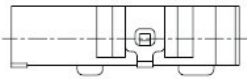
Product No. : KLS1-TPJ-2.5-003A

Pos. NO. _____
Series NO. _____

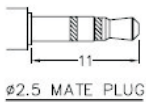
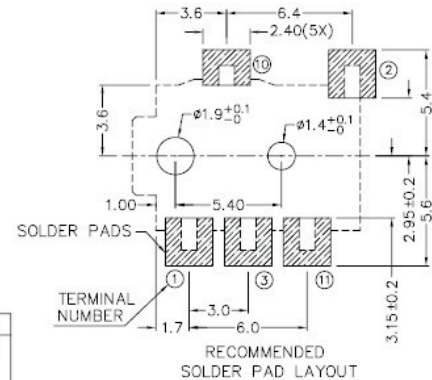
2.5mm Mono Jack * Stereo Jack Series

KLS1-TPJ-2.5-004A (SMD Stereo Jack)

Housing Material / Center Pin Material	PA6T / BRASS
Rated Load	DC 12V 1A Max
Contact resistance	≦ 0.03 Ω
Insulation resistance	≧ 100M Ω
Withstand voltage	AC 500V(50Hz) 1min
Actuating Force	3~20N
Life	5000Time



*** MATERIAL**
 TERMINAL 1 : COPPER ALLOY
 TERMINAL 2 : COPPER ALLOY
 TERMINAL 3 : COPPER ALLOY
 TERMINAL 10 : BRASS
 TERMINAL 11 : COPPER ALLOY
 HOUSING : PA6T



MODEL NO.	TC-2665	TC-2664A	TC-2663	TC-2663A
SCHEMATIC				

ORDER INFORMATION

Product No. : KLS1-TPJ-2.5-004A

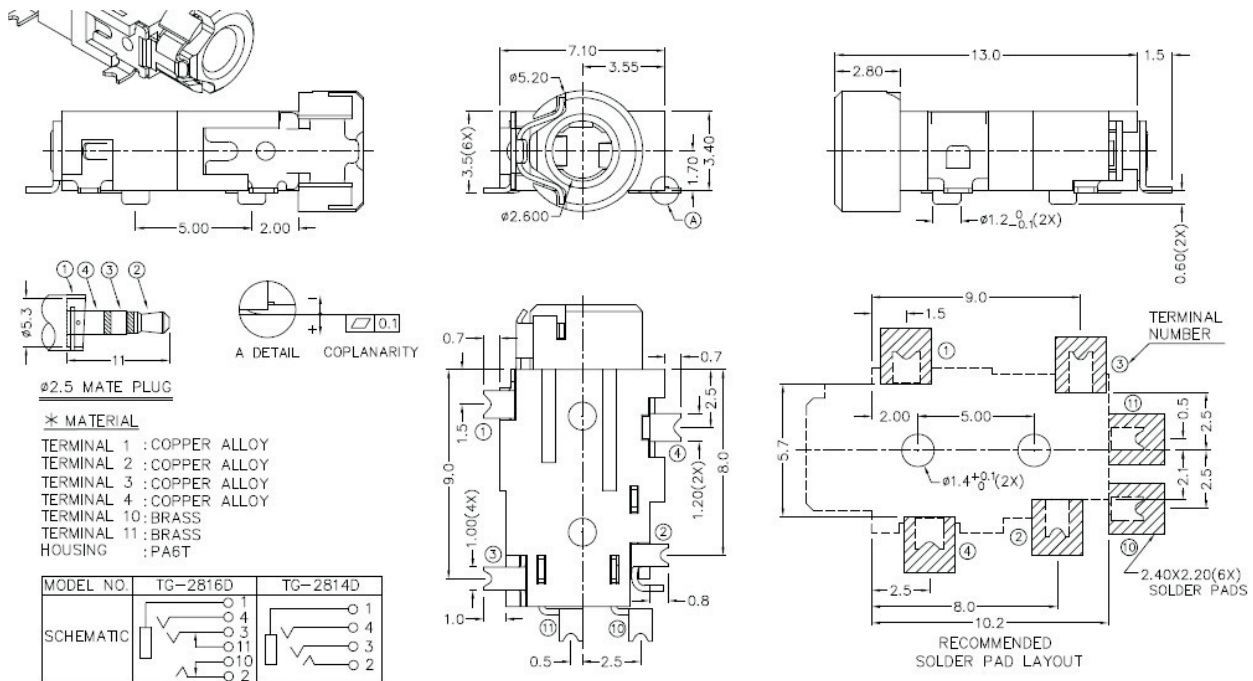
Pos. NO. _____
 Series NO. _____



2.5mm Mono Jack * Stereo Jack Series

KLS1-TPJ-2.5-005A (SMD Stereo Jack)

Housing Material / Center Pin Material	PA6T / BRASS
Rated Load	DC 12V 1A Max
Contact resistance	≦ 0.03 Ω
Insulation resistance	≧ 100M Ω
Withstand voltage	AC 500V(50Hz) 1min
Actuating Force	3~20N
Life	5000Time



ORDER INFORMATION

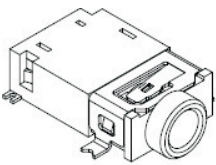
Product No. : KLS1-TPJ-2.5-005A

Pos. NO. _____
Series NO. _____

2.5mm Mono Jack * Stereo Jack Series

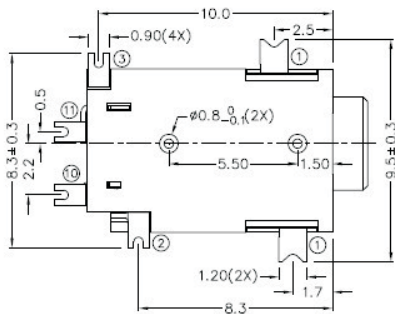
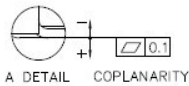
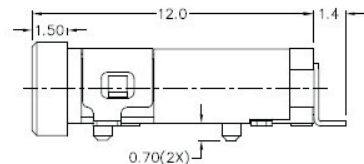
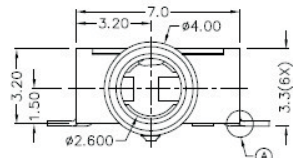
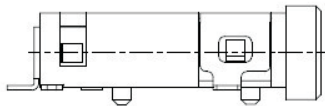
KLS1-TPJ-2.5-006A (SMD Stereo Jack)

Housing Material / Center Pin Material	PA6T / BRASS
Rated Load	DC 12V 1A Max
Contact resistance	≦ 0.03 Ω
Insulation resistance	≧ 100M Ω
Withstand voltage	AC 500V(50Hz) 1min
Actuating Force	3~20N
Life	5000Time

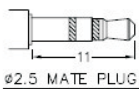
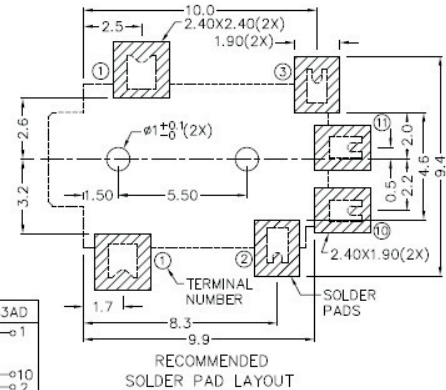


RoHS
Compliant

ZONE	SYMBOL	REVISION	APPROVAL	DATE
		ADDED INDICATION OF COPLANARITY	J.X.KUANG	23-12-



* MATERIAL
 TERMINAL 1 : COPPER ALLOY
 TERMINAL 2 : COPPER ALLOY
 TERMINAL 3 : COPPER ALLOY
 TERMINAL 10 : BRASS
 TERMINAL 11 : BRASS
 HOUSING : PA6T



MODEL NO.	TG-2835D	TG-2834AD	TG-2834BD	TG-2833D	TG-2833AD
SCHEMATIC					

ORDER INFORMATION

Product No. : KLS1-TPJ-2.5-006A

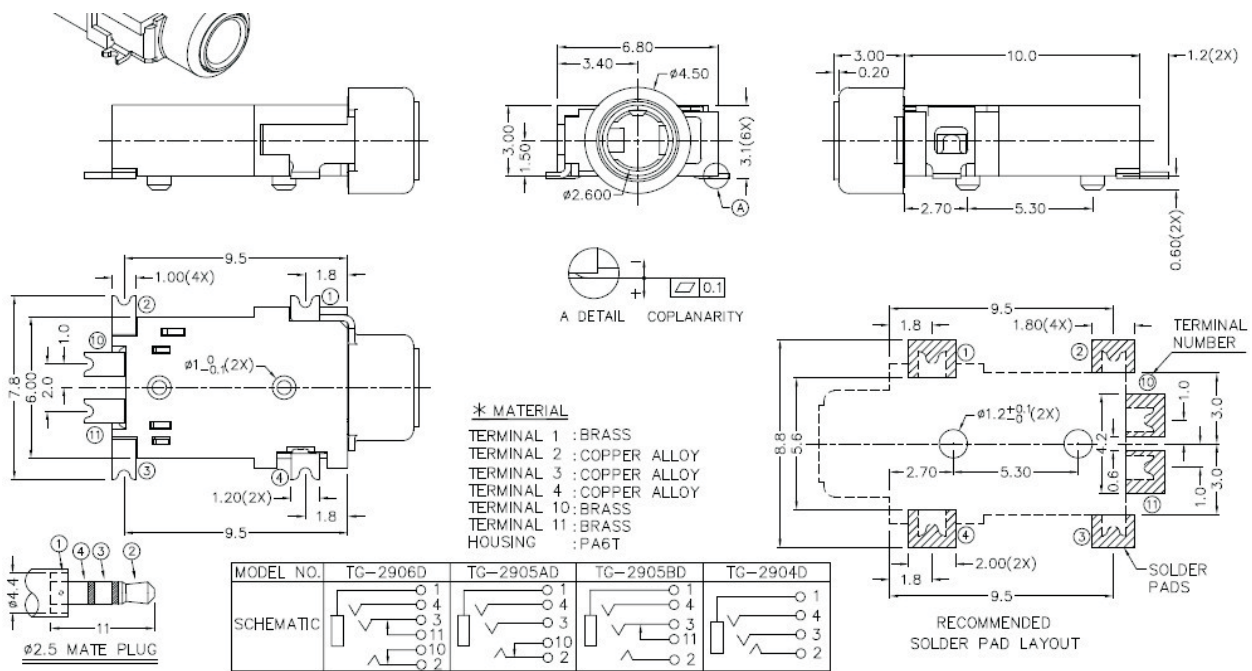
Pos. NO. _____
 Series NO. _____



2.5mm Mono Jack * Stereo Jack Series

KLS1-TPJ-2.5-007A (SMD Stereo Jack)

Housing Material / Center Pin Material	PA6T / BRASS
Rated Load	DC 12V 1A Max
Contact resistance	≦ 0.03 Ω
Insulation resistance	≧ 100M Ω
Withstand voltage	AC 500V(50Hz) 1min
Actuating Force	3~20N
Life	5000Time



ORDER INFORMATION

Product No. : KLS1-TPJ-2.5-007A

Pos. NO. _____
 Series NO. _____

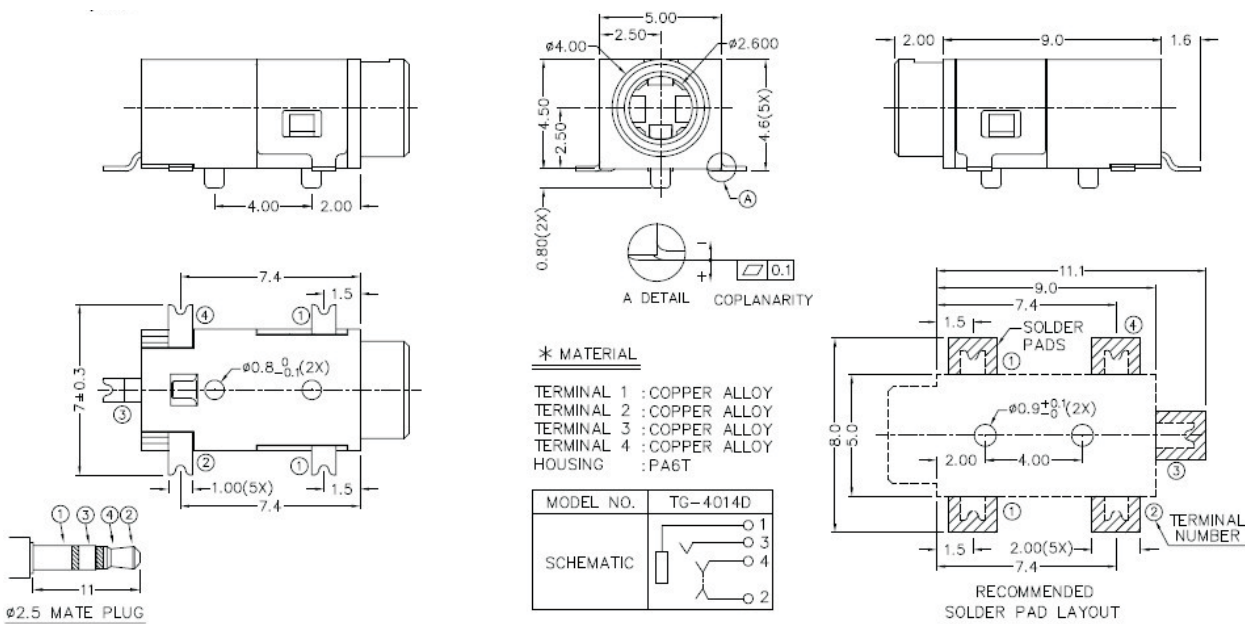
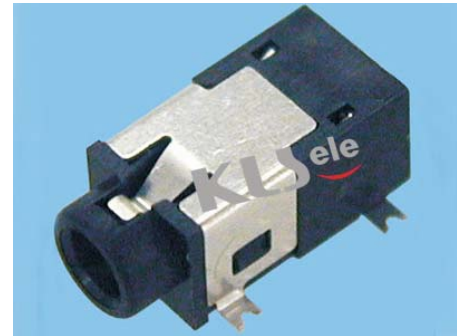
All specification & dimensions are subject to change, Please call your nearest KLS sales representative for update information



2.5mm Mono Jack * Stereo Jack Series

KLS1-TPJ-2.5-008A (SMD Stereo Jack)

Housing Material / Center Pin Material	PA6T / BRASS
Rated Load	DC 12V 1A Max
Contact resistance	≦ 0.03 Ω
Insulation resistance	≧ 100M Ω
Withstand voltage	AC 500V(50Hz) 1min
Actuating Force	3~20N
Life	5000Time



ORDER INFORMATION

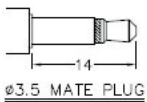
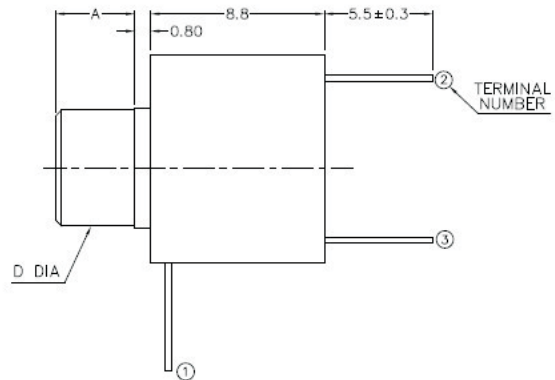
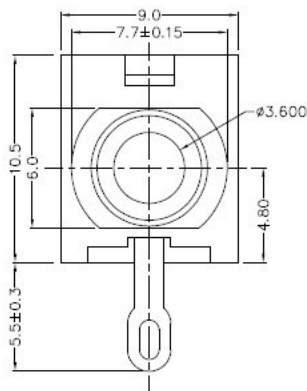
Product No. : KLS1-TPJ-2.5-008A

Pos. NO. _____
 Series NO. _____

3.5mm Mono Jack * Stereo Jack Series

KLS1-TG-3.5-001A (Dip Mono Jack)

Housing Material / Center Pin Material	PBT / Brass
Rated Load	DC 12V 0.5A Max
Contact resistance	≤ 0.03 Ω
Insulation resistance	≥ 100M Ω
Withstand voltage	AC 500V(50Hz) 1min
Actuating Force	2.2~20N
Life	5000Time



ø3.5 MATE PLUG

MODEL NO.	TG-35F	TG-35N	TG-35F3	TG-35N4	TG-35F5	TG-35N6
D DIA	FLASHED ø6.0	THREADED M6X0.5	FLASHED ø6.0	THREADED M6X0.5	FLASHED ø5.5	THREADED M6X0.5
A	3.0mm	4.0mm	4.0mm	4.5mm	4.5mm	3.0mm
SCHEMATIC						

* MATERIAL

- TERMINAL 1 : BRASS
- TERMINAL 2 : COPPER ALLOY
- TERMINAL 3 : BRASS
- BUSHING : BRASS
- HOUSING : PBT

ORDER INFORMATION

Product No. : KLS1-TG-3.5-001A

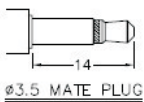
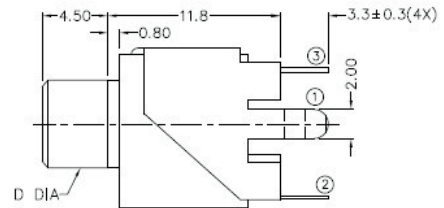
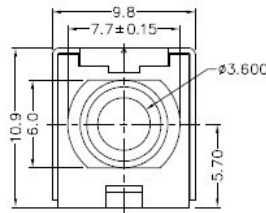
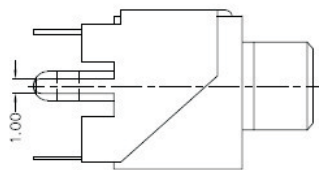
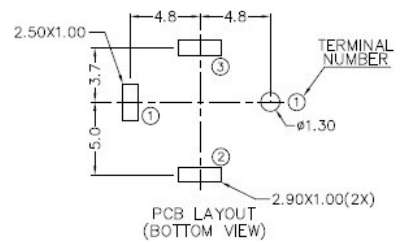
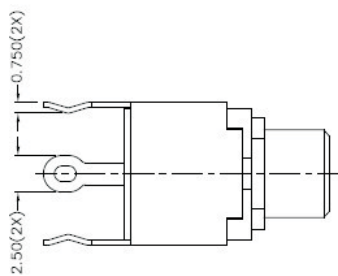
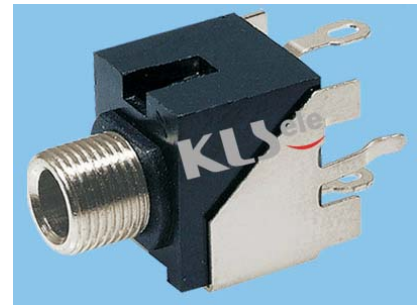
Pos. NO. _____
Series NO. _____



3.5mm Mono Jack * Stereo Jack Series

KLS1-TG-3.5-002A (Dip Mono Jack)

Housing Material / Center Pin Material	PBT / Brass
Rated Load	DC 12V 0.5A Max
Contact resistance	≦ 0.03 Ω
Insulation resistance	≧ 100M Ω
Withstand voltage	AC 500V(50Hz) 1min
Actuating Force	2.2~20N
Life	5000Time



MODEL NO.	TG-35N4-4	TG-35F5-4
D DIA	THREADED M6X0.5	FLASHED φ5.5
SCHEMATIC		

*** MATERIAL**

- TERMINAL 1 : COLD ROLLED STEEL
- TERMINAL 2 : COPPER ALLOY
- TERMINAL 3 : BRASS
- BUSHING : BRASS
- HOUSING : PBT

ORDER INFORMATION

Product No. : KLS1-TG-3.5-002A

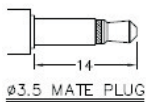
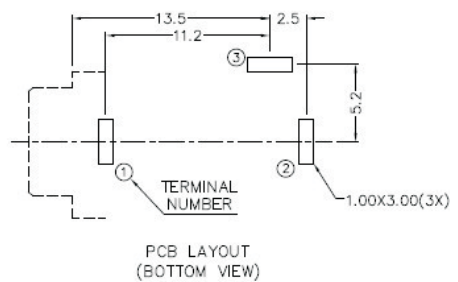
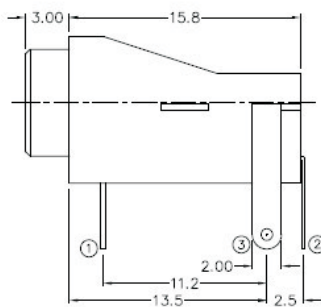
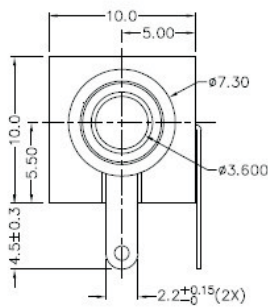
Pos. NO. _____
Series NO. _____



3.5mm Mono Jack * Stereo Jack Series

KLS1-TG-3.5-003A (Dip Mono Jack)

Housing Material / Center Pin Material	PBT / Brass
Rated Load	DC 12V 0.5A Max
Contact resistance	≦ 0.03 Ω
Insulation resistance	≧ 100M Ω
Withstand voltage	AC 500V(50Hz) 1min
Actuating Force	2.2~20N
Life	5000Time



MODEL NO.	TH-35C
SCHEMATIC	

*** MATERIAL**

- TERMINAL 1 : BRASS
- TERMINAL 2 : COPPER ALLOY
- TERMINAL 3 : BRASS
- BUSHING : BRASS
- INSULATION CAP : PC
- HOUSING : PBT

ORDER INFORMATION

Product No. : KLS1-TG-3.5-003A

Pos. NO. _____
Series NO. _____