

**Material and Finish**

Body: PBT Thermoplastic,  
UL94V-0 Rated  
Color: Black

Contacts:  
Pins: Brass, Tin Plated  
Ground: Brass, Tin Plated

Shield:  
Brass, Nickel Plated

**Electrical Characteristics**

Contact Rating (Per Pin):  
7.5A Max. @ 48V DC

Insulation Resistance:  
50 Megohms Min @ 250V DC

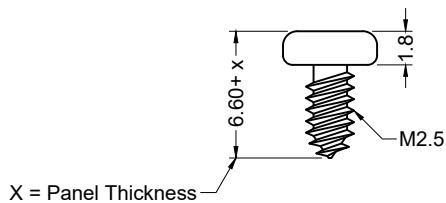
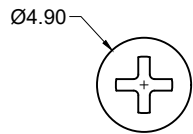
Dielectric Withstanding Voltage:  
500V AC RMS for 1 Minute

Contact Resistance:  
30 milliohms Max.

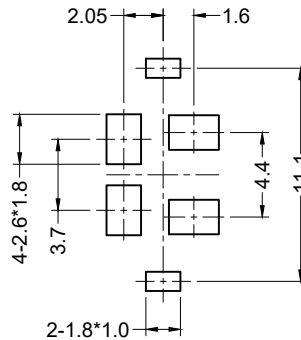
**Mechanical Characteristics**

Operating Temperature:  
-40°C to 75°C

Note:  
Recommended for use  
with Kycon KPPX plug.



Recommended Mounting Screw



Recommended PCB Layout

Tolerances

X.X ± 0.35  
X.XX ± 0.25  
Unless Stated  
Otherwise



REV.	DATE	DESCRIPTION	REV. BY	CHK. BY	DRAWN BY	DATE
B10	02/29/16	ECO #16-005	C. Kelleher	W. Cook	A. Frederick	05/09/07
B11	08/12/16	ECO #16-021	H. MA	W. Cook		
B12	10/05/18	ECO #18-051	G. Serrato	D. Shehan		
B13	03/18/19	ECO #19-028	C. Kelleher	D. Shehan		
C0	05/06/19	ECO #19-043	C. Kelleher	D. Shehan		
C1	10/21/21	ECO #21-019	C. Kelleher	C. Furumasu		

**KPJX-PM-4S-S**

Power Jack, RoHS Compliant

4 Pin, Shielded, Panel Mount

